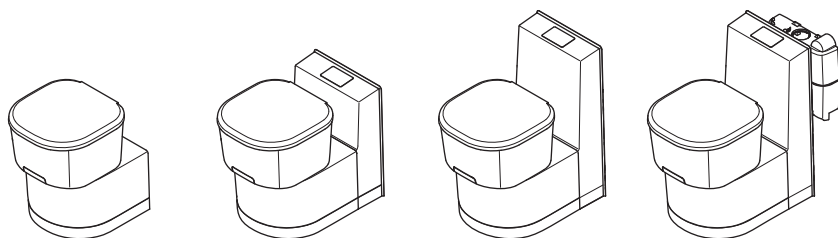
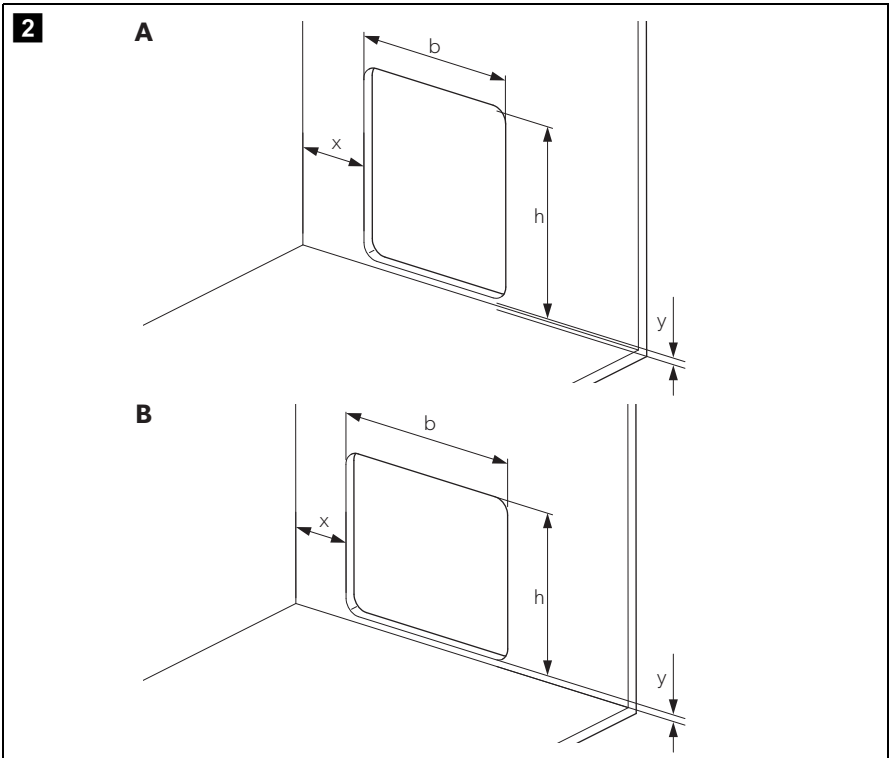
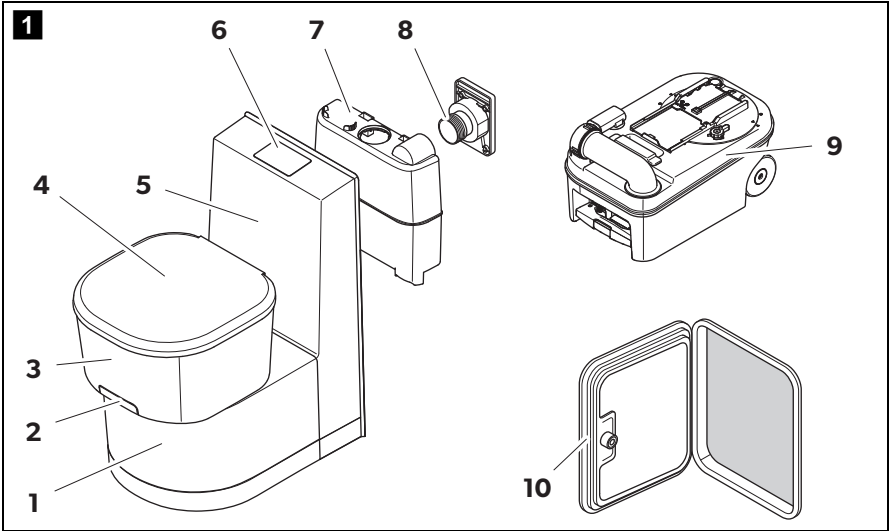


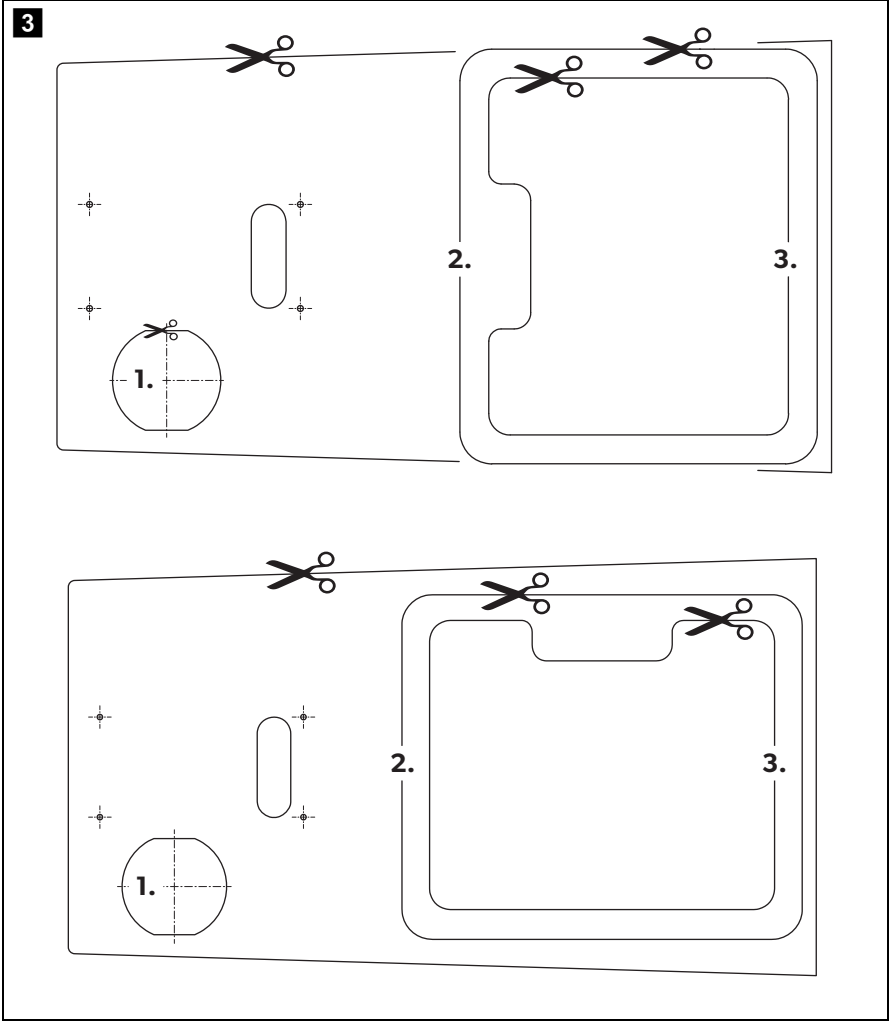
↗ DOMETIC SANITATION Saneo



Saneo[®] B, Saneo[®] C, Saneo[®] BLP, Saneo[®] CLP, Saneo[®] BS, Saneo[®] CS,
Saneo[®] BW, Saneo[®] CW

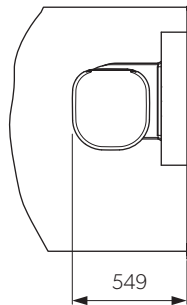
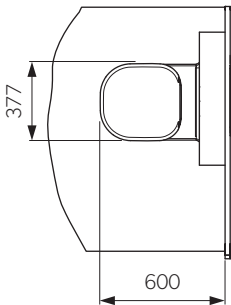
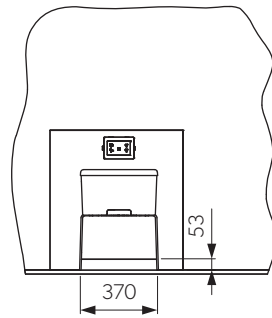
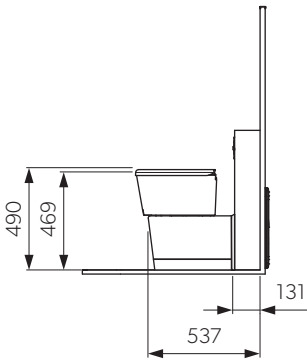
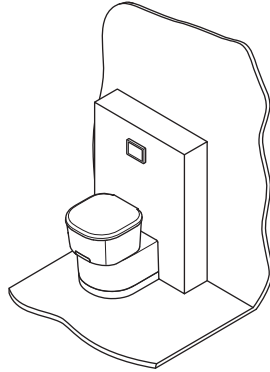
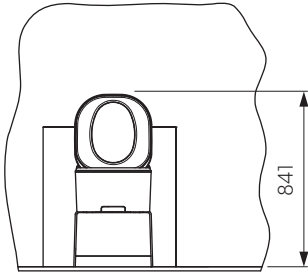
EN	Cassette toilet Installation Manual	21	FI	Kasettikäymälä Asennusohje	147
DE	Kassettoilette Montageanleitung	33	RU	Кассетный туалет Инструкция по монтажу	159
FR	Toilettes à cassette Instructions de montage	46	PL	Toaleta kasetowa Instrukcja montażu	172
ES	Inodoro de cassette Instrucciones de montaje	59	SK	Kazetová toaleta Návod na montáž	185
PT	Sanitário de cassette Instruções de montagem	72	CS	Kazetová toaleta Návod k montáži	198
IT	Toilette a cassetta Indicazioni di montaggio	85	HU	Kazettás vécé Szerelési útmutató	210
NL	Cassettetoilet Montagehandleiding	98	SL	Kasetno stranišče Navodilo za montažo	223
DA	Kassettetoilet Monteringsvejledning	111	EL	Τουαλέτα κασετίνας Οδηγίες τοποθέτησης	235
SV	Kassettoilet Monteringsanvisning	123			
NO	Kassettoilet Monteringsanvisning	135			





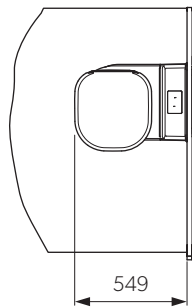
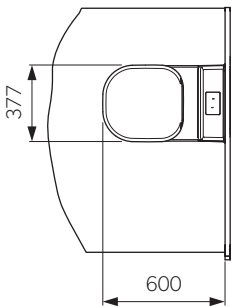
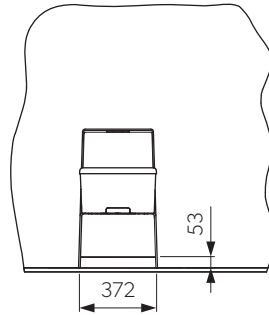
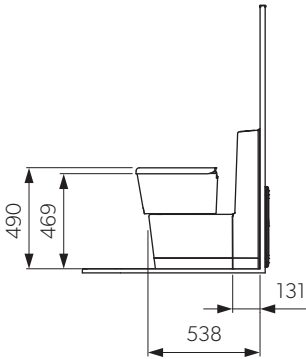
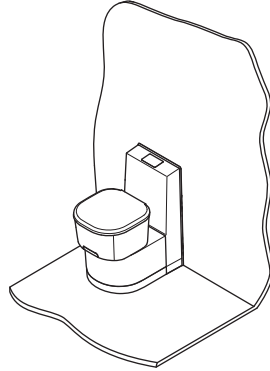
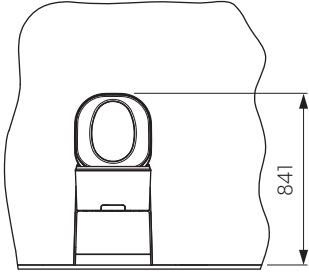
4

Saneo B, C



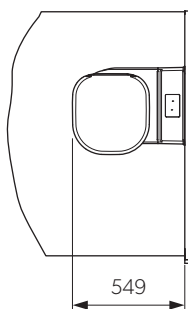
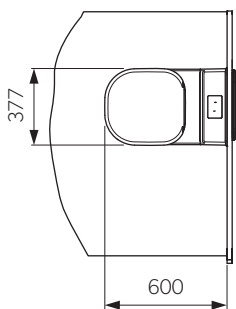
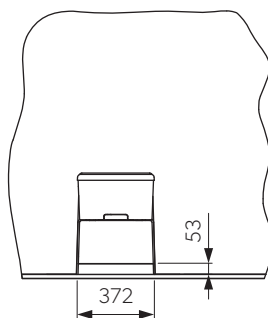
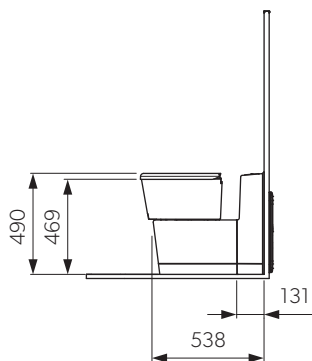
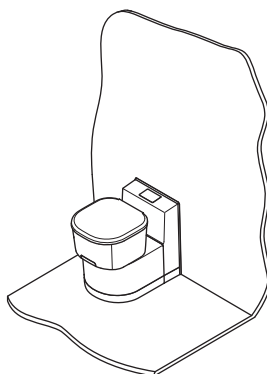
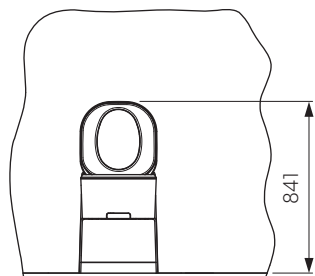
5

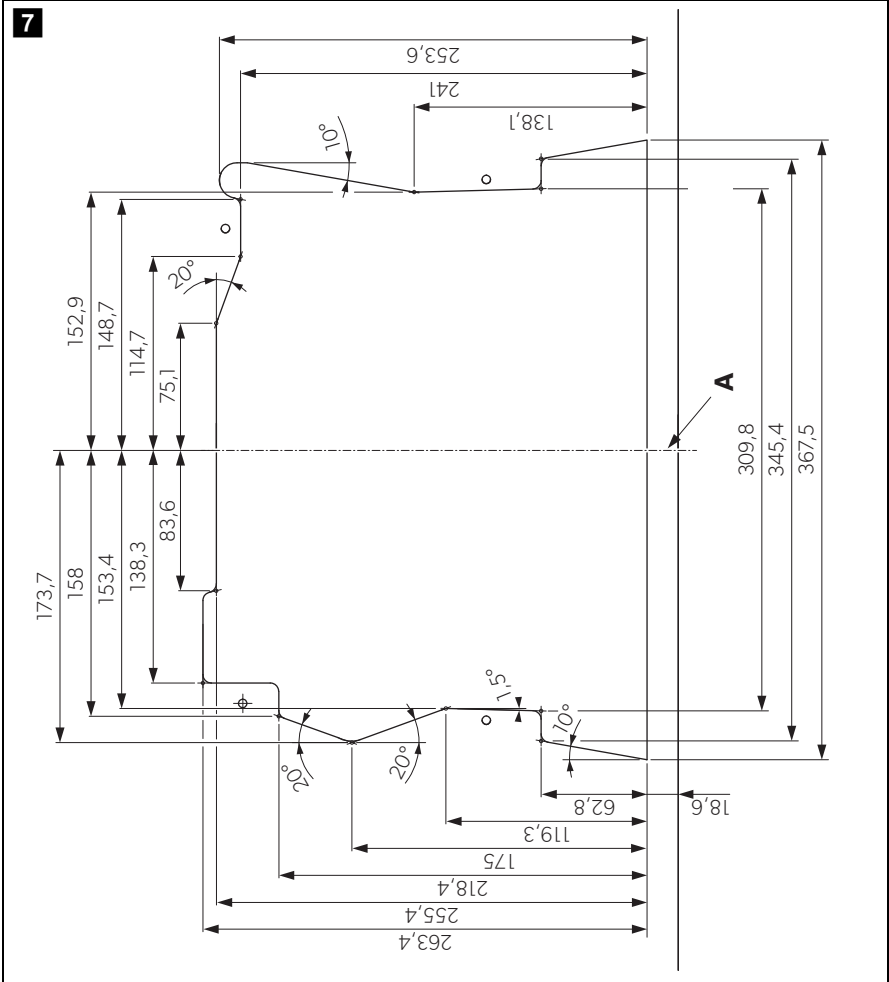
Saneo BS, BW
Saneo CS, CW

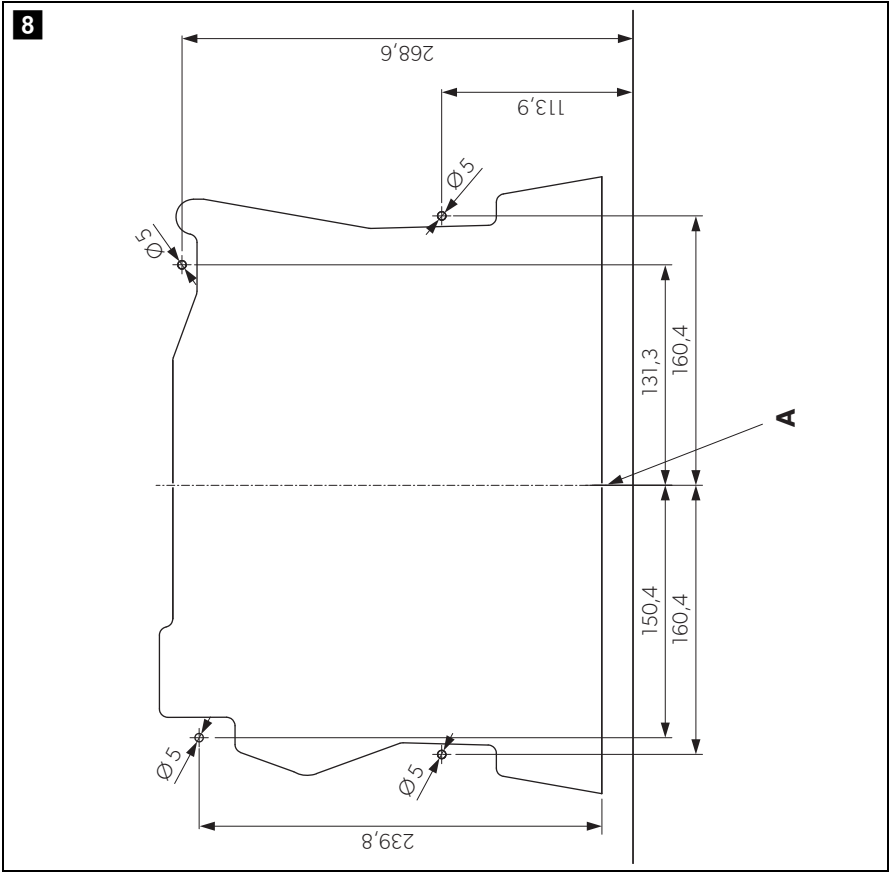


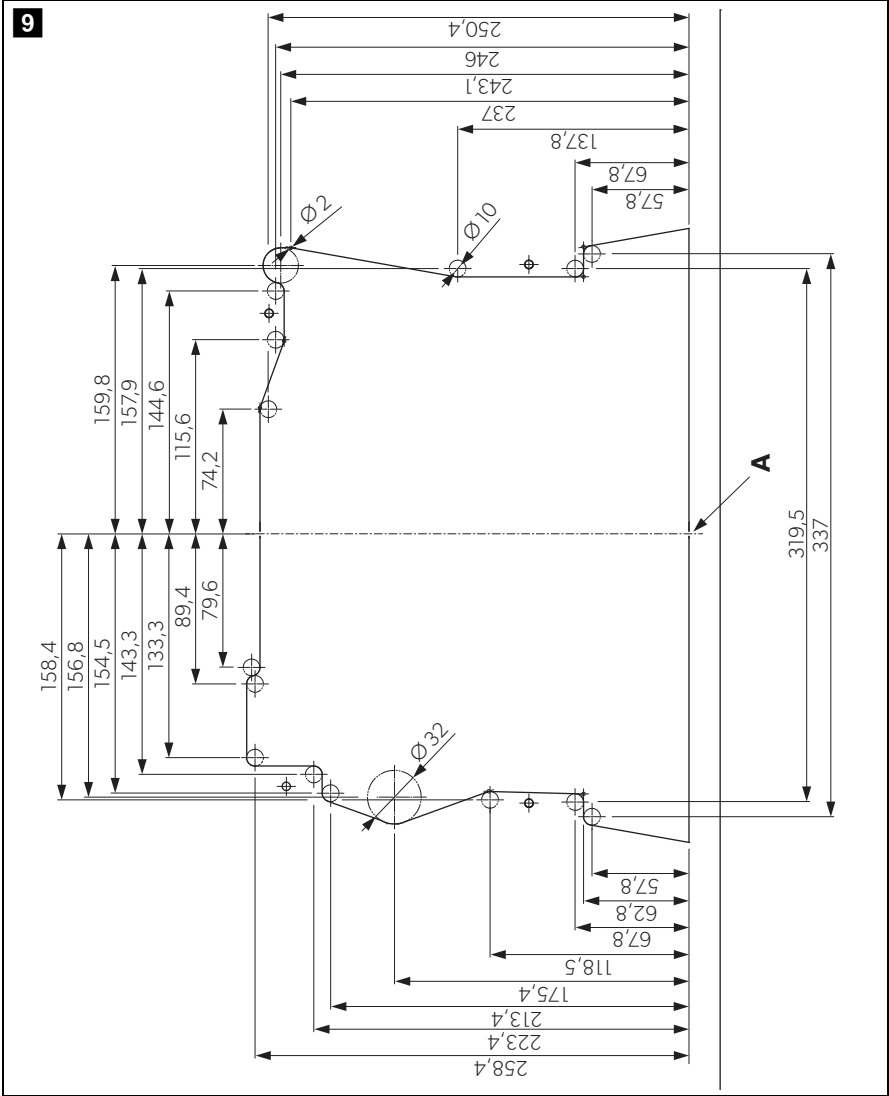
6

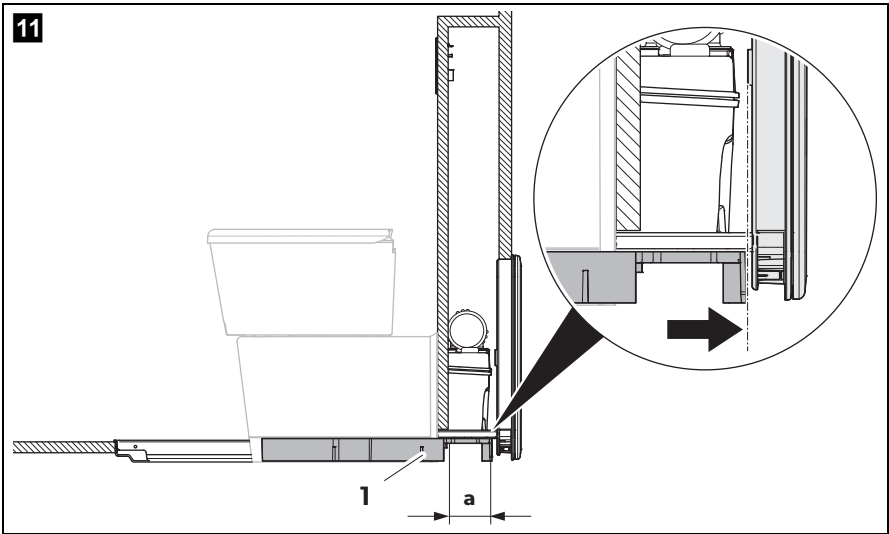
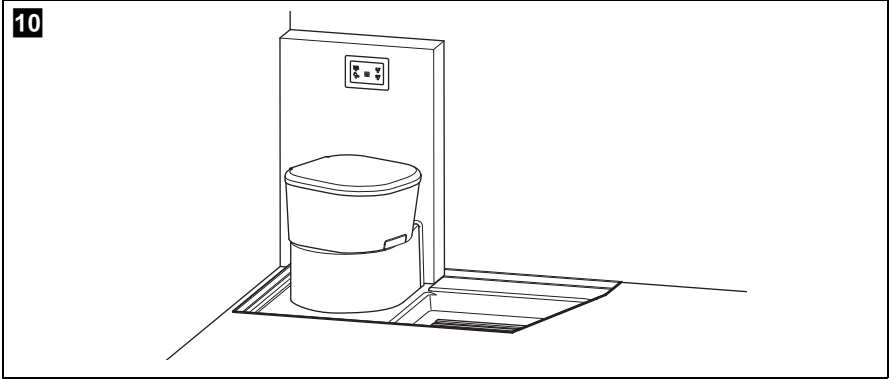
Saneo BLP, CLP

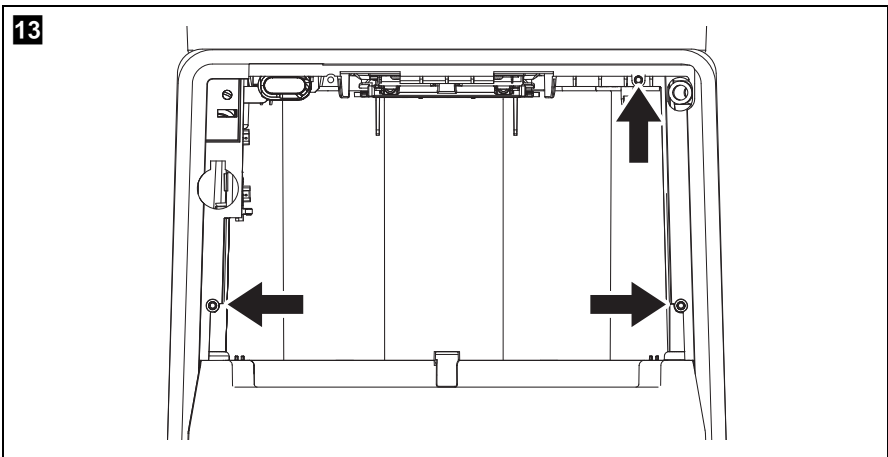
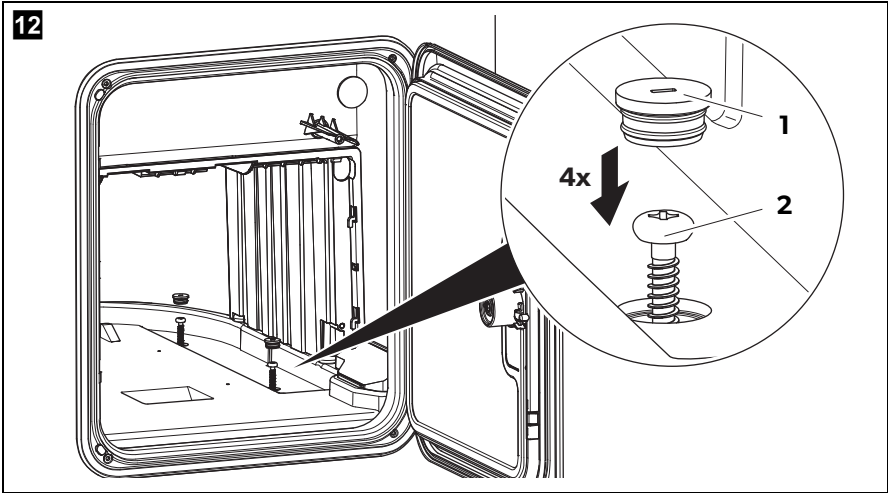


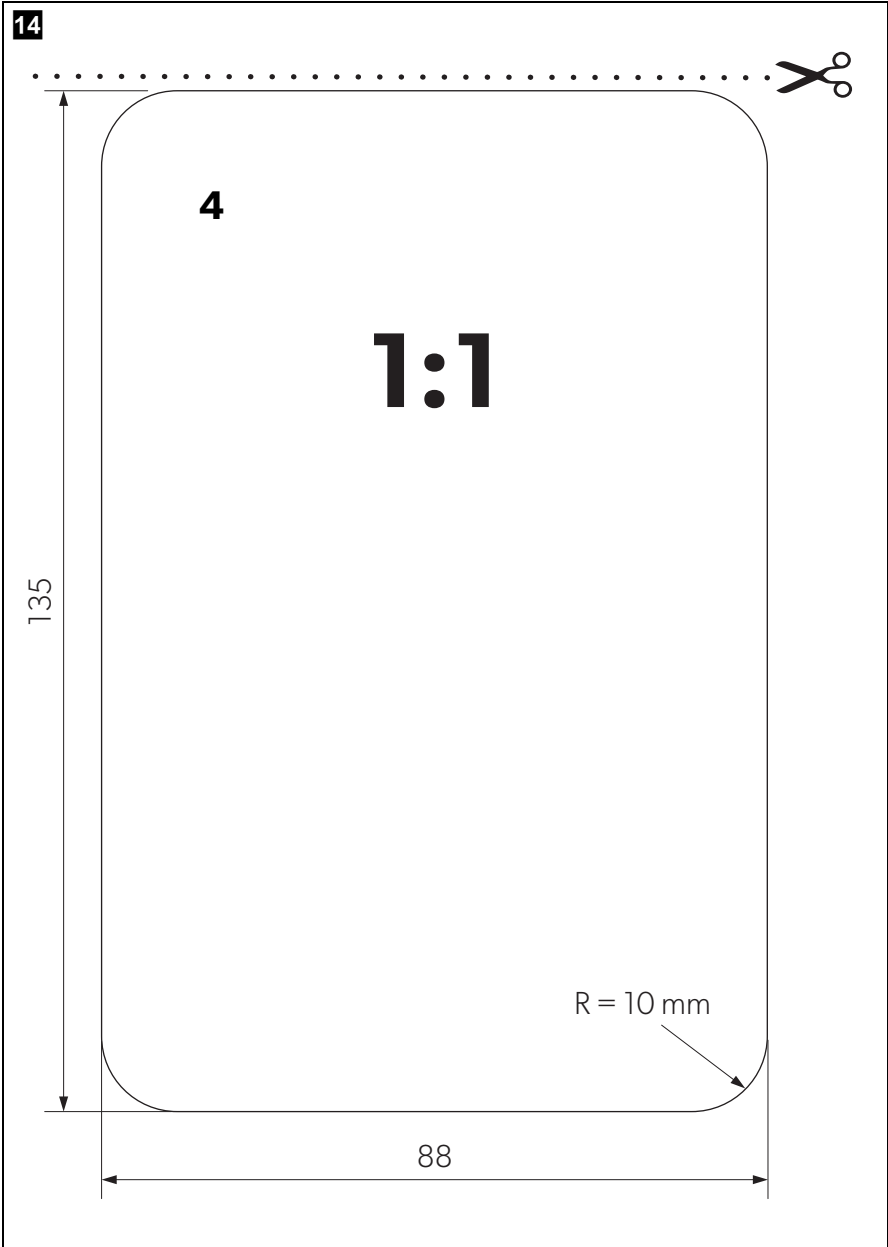


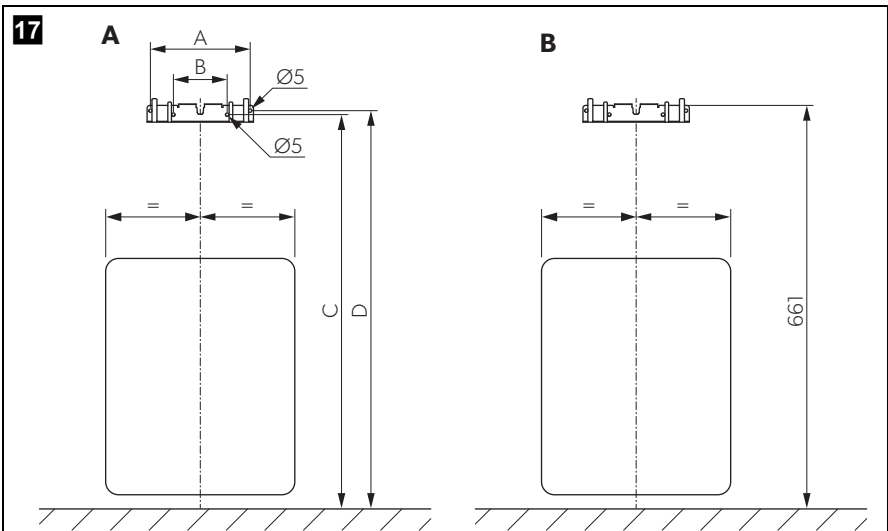
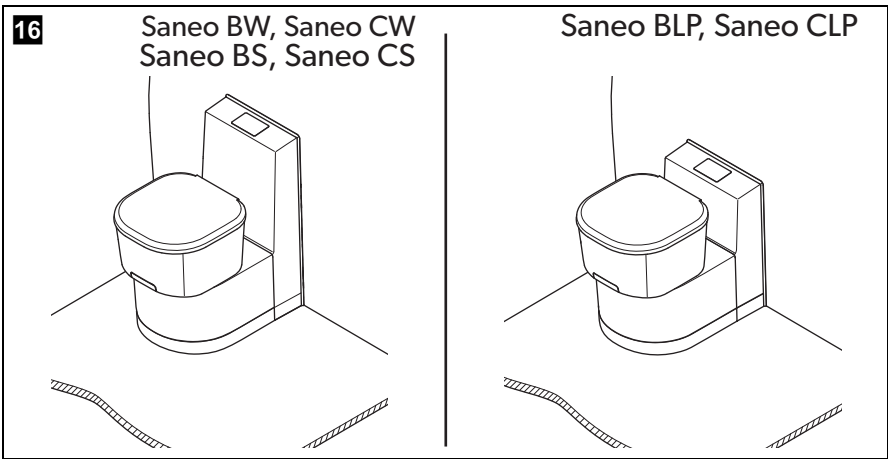
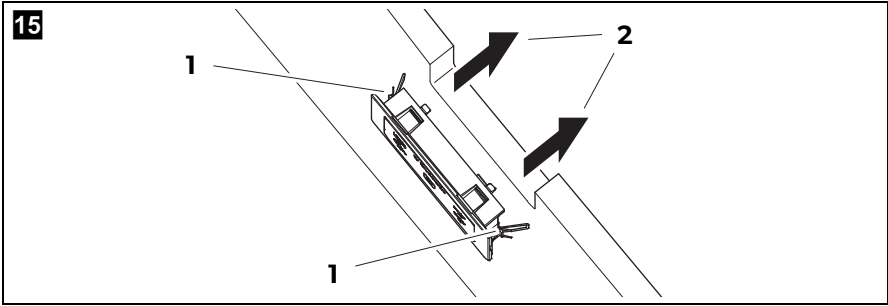


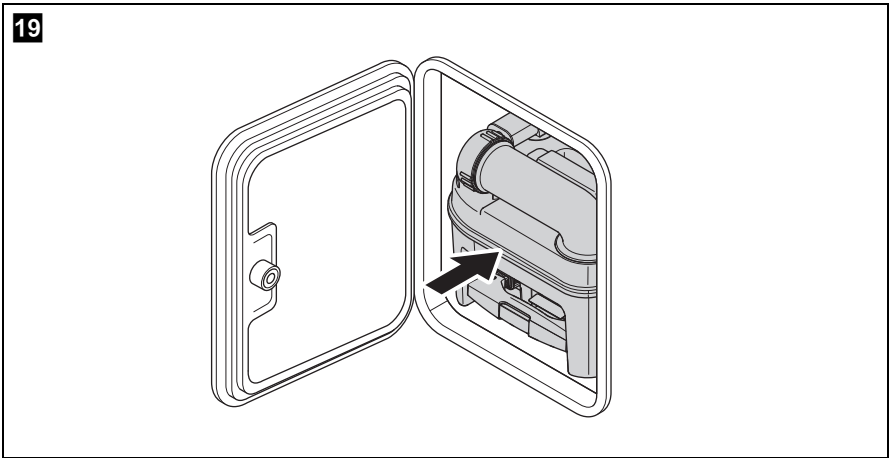
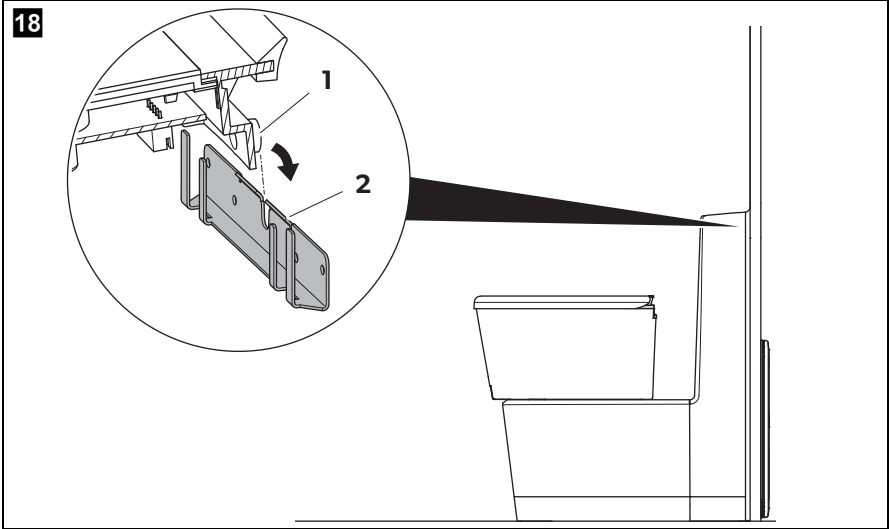


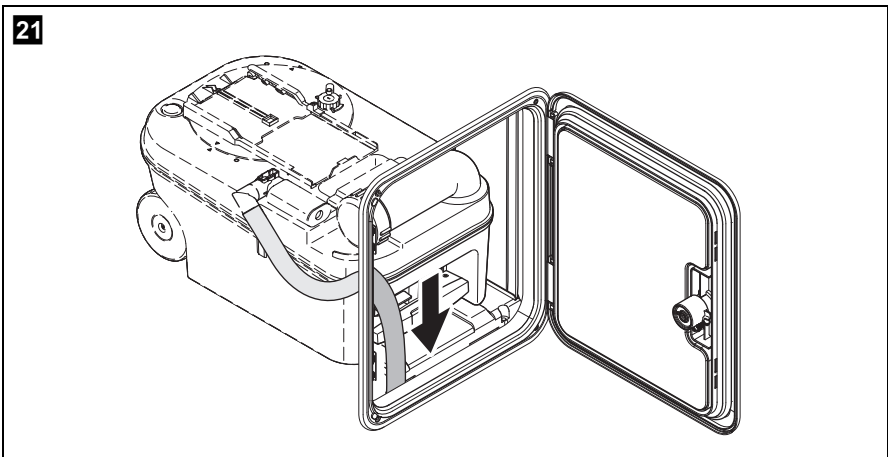
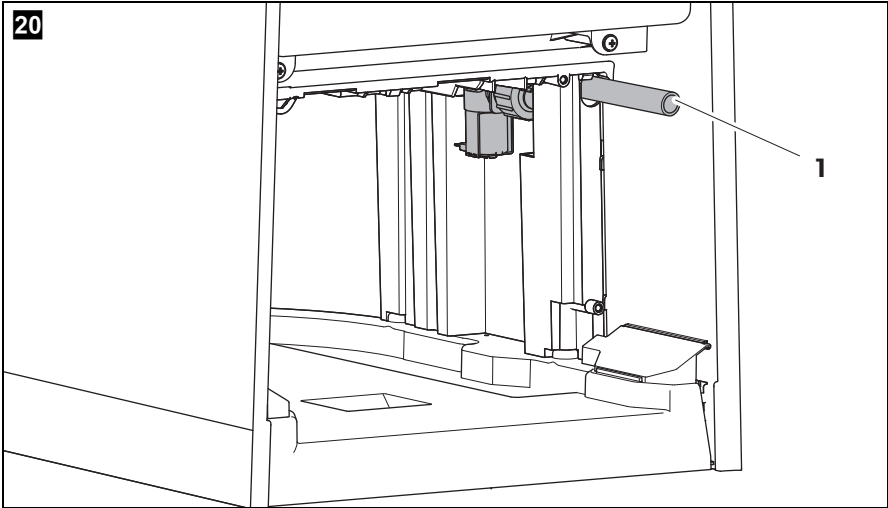


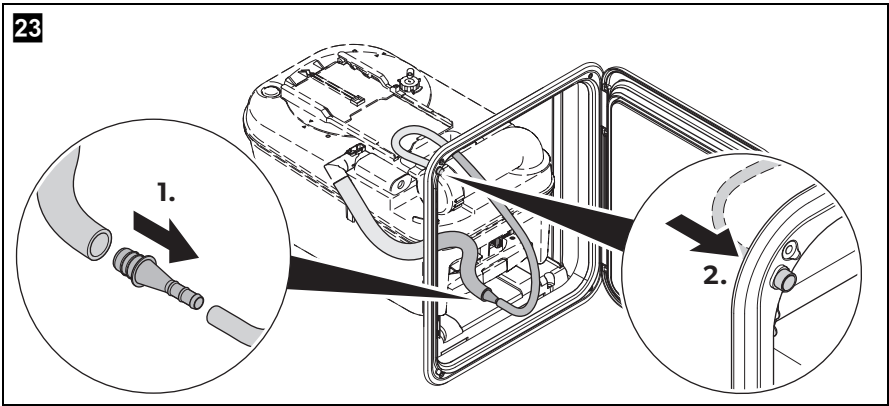
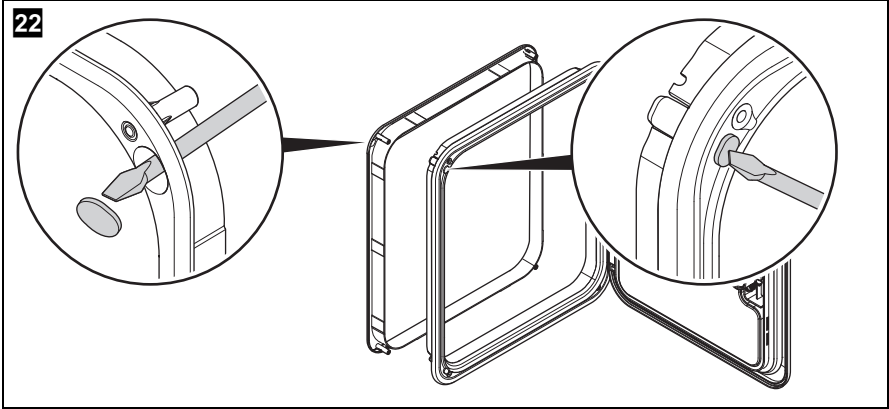




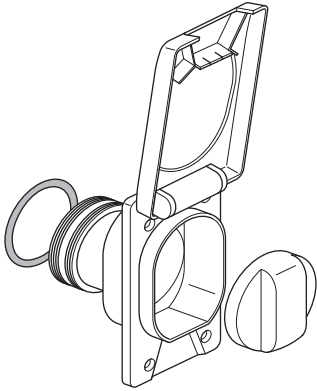




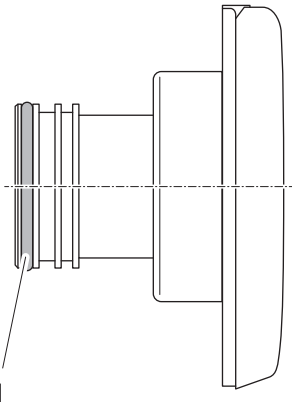




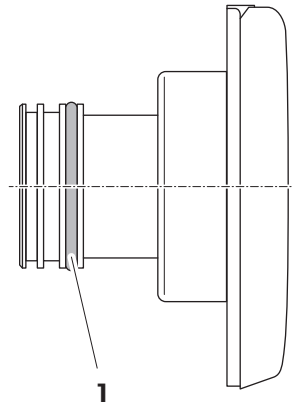
24



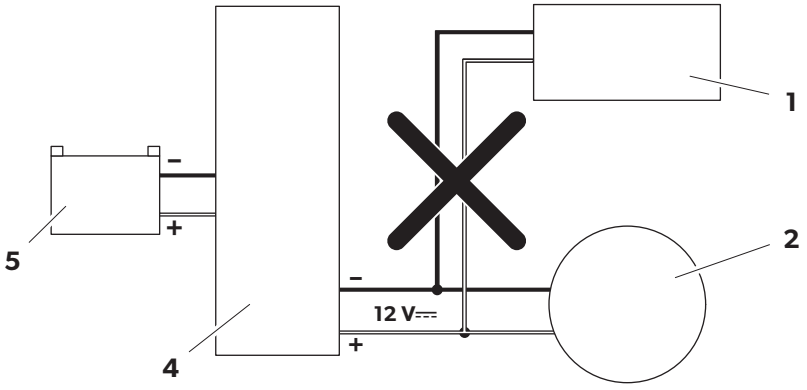
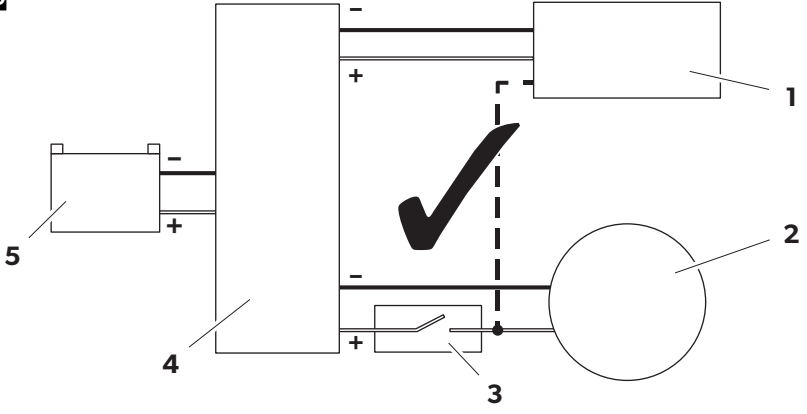
A

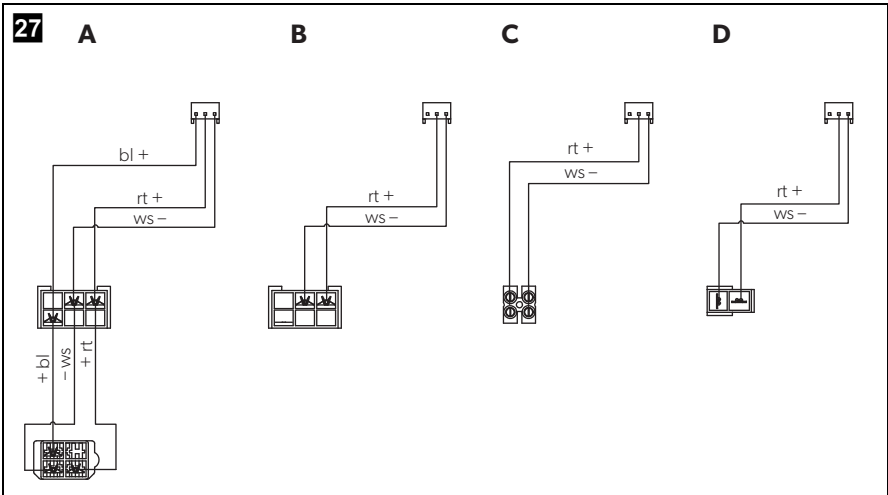
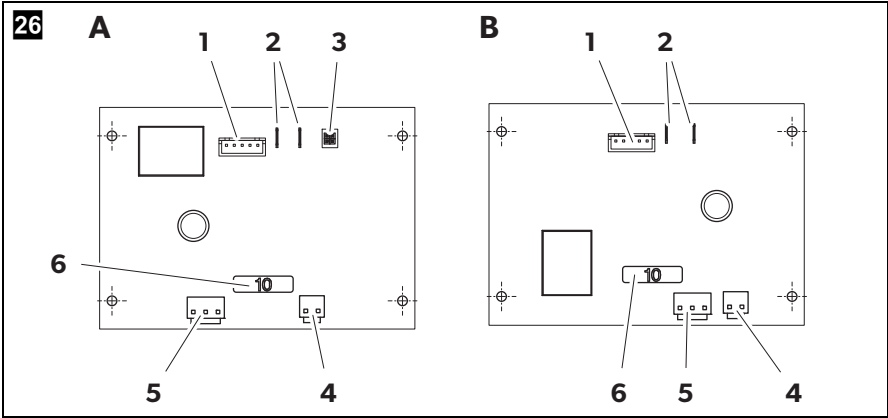


B



25





Please read this instruction manual carefully before installation and first use, and store it in a safe place. If you pass on the product to another person, hand over this instruction manual along with it.

Table of contents

1	Explanation of symbols	22
2	Safety instructions	22
2.1	General safety	23
2.2	Installation instructions	23
3	Intended use	23
4	Technical description	24
4.1	Description of the components	24
5	Installing the toilet	25
5.1	Installing the service door	25
5.2	Making wall cutouts	25
5.3	Setting up the toilet	26
5.4	Setting up the Saneo B, Saneo C toilet	26
5.5	Setting up the Saneo BW, Saneo CW, Saneo BS, Saneo CS, Saneo BLP, Saneo CLP toilets	28
5.6	Water connection	28
5.7	Venting the cartridge tank	29
5.8	Installation of the tank flap	30
6	Electrical connection	30
7	Technical data	32

1 Explanation of symbols

**WARNING!**

Safety instruction: Failure to observe this instruction can cause fatal or serious injury.

**CAUTION!**

Safety instruction: Failure to observe this instruction can lead to injury.

**NOTICE!**

Failure to observe this instruction can cause material damage and impair the function of the product.

**NOTE**

Supplementary information for operating the product.

2 Safety instructions

The manufacturer accepts no liability for damage in the following cases:

- Faulty assembly or connection
- Damage to the product resulting from mechanical influences and excess voltage
- Alterations to the product without express permission from the manufacturer
- Use for purposes other than those described in the operating manual

The declaration of conformity can be requested from the manufacturer (contact information on the back).

2.1 General safety



WARNING!

- This device can be used by children aged 8 years or over, as well as by persons with diminished physical, sensory or mental capacities or a lack of experience and knowledge, providing they are supervised, or have been taught how to use the device safely and are aware of the resulting risks.
- Cleaning and user maintenance must not be carried out by unsupervised children.
- Children must be supervised to ensure that they do not play with the device.
- The toilet may be installed only by trained personnel.



- All components of the system must be installed in frost-free areas. In freezing temperatures, there is a risk of damage caused by frost.
- Do not use antifreeze. These agents may damage the cassette toilet.
- The operating pressure (water pressure) of the solenoid valve should not exceed 6 bar. The solenoid valve is damaged by excessive pressure.
- The electrical installation must comply with national and local regulations.
In Europe: EN 1645-1, EN 1646-1, EN 1648-1, EN 1648-2.

2.2 Installation instructions

The toilet must be installed so that it is easily accessible for service work, easy to de-install and install, and easily removed from the vehicle.

3 Intended use

The toilet is designed for installation and use in recreational vehicles such as campervans or motor caravans.

4 Technical description

The cassette toilet Saneo consists of a toilet permanently installed in the vehicle and a removable, mobile cassette as a holding tank. The cassette is externally accessible through a door. Depending on the model, the toilet gets the rinse water from a tank integrated in the housing or from a freshwater tank in the vehicle.

The following model versions of the toilet are available:

- **Saneo B, Saneo C:** freestanding, without water tank, without console
- **Saneo BS, Saneo CS:** freestanding, without water tank, with console
- **Saneo BW, Saneo CW:** freestanding, with a water tank in the console
- **Saneo BLP, Saneo CLP:** freestanding, without water tank, low console


Saneo C models can be equipped with an interval flush (optional). The water is pumped into the toilet bowl in short spurts in order to achieve improved flush wetting and cleaning. The wetting and cleaning depend on the amount of water available in the vehicle.

4.1 Description of the components

No. in fig. 1 , page 3	Label
1	Housing for cassette tank
2	Draining slider for toilet bowl
3	Rotatable toilet bowl, plastic or ceramic
4	Lid and seat, removable
5	Console
6	Control panel with level indicator and flushing
7	Only Saneo BW, CW: Integrated freshwater tank
8	Only Saneo BW, CW: Tank flap
9	Cassette tank
10	Service door

5 Installing the toilet

5.1 Installing the service door

You can find the description for installing the service door in the enclosed document ( **Dometic Seitz SK 5**, optional and model-dependent).

5.2 Making wall cutouts

Service door wall cutout

- ▶ Make a rectangular opening in the outer wall with the following dimensions (fig. **2**, page 3):
 - **A:** For service door SK5 vertical:
 - $y_{\min} = 12.5 \text{ mm}$, $y_{\max} = 22 \text{ mm}$
 - $w = 310 \text{ mm} \pm 1 \text{ mm}$
 - $h = 360 \text{ mm} \pm 1 \text{ mm}$
 - **B:** for service door SK5 horizontal:
 - $y_{\min} = 12.5 \text{ mm}$, $y_{\max} = 26 \text{ mm}$
 - $w = 360 \text{ mm} \pm 1 \text{ mm}$
 - $h = 310 \text{ mm} \pm 1 \text{ mm}$

The dimension x results from the placement of the toilet. Please note the position of the service door (template **(3)** and **(4)** on the packaging).

Wall cutout for the tank flap

For the Saneo BW and Saneo CW models, mount a tank flap for the integrated water tank.

- ▶ Using the template (fig. **3** 1, page 4) create an opening in the outer wall. The template is greatly reduced in size in the instructions. For the original, see the packaging.

You can find the installation description of the tank flap in chapter "Installation of the tank flap" on page 30.

5.3 Setting up the toilet



NOTICE!

All components of the system must be installed in frost-free areas. In freezing temperatures, there is a risk of damage caused by frost.

- Install the toilet according to the description for the respective model version.
- Set up the toilet so that it is flush to a vertical wall only.
- Leave at least 60 mm space to the side walls so that the swivelling of the upper part of the toilet (with seat) is not restricted.
- For the installation, use the dimensional drawings and templates:
 - **Saneo B, Saneo C:** fig. **4**, page 5
 - **Saneo BS, Saneo CS:** fig. **5**, page 6
 - **Saneo BW, Saneo CW:** fig. **5**, page 6
 - **Saneo BLP, Saneo CLP:** fig. **6**, page 7
 - **Milling dimensions:** fig. **7**, page 8
 - **Drill holes:** fig. **8**, page 9
 - **Radii:** fig. **9**, page 10



NOTE

- For the templates for milling dimensions, drill holes and radii, observe the symmetry point of the toilet (fig. **7** A, page 8, fig. **8** A, page 9, fig. **9** A, page 10).
- When installing the toilet in a wet room, the manufacturer recommends that you connect the toilet to the shower tray.

5.4 Setting up the Saneo B, Saneo C toilet

The freestanding models Saneo B and Saneo C have no integrated water tank. Set up this model so that the wall behind it can accommodate the control unit of the toilet, the electrical connections and possibly a water tank. It is ideal if you put a box in front of the room wall (fig. **10**, page 11).



NOTE

Exemplary installation in a shower tray is shown in fig. **10**, page 11 and fig. **11**, page 11.

Note that the cassette protrudes 112 mm out of the cassette housing (fig. **11**, page 11).

- Place the housing base (fig. **11** 1, page 11) flush with the installation frame of the service door (fig. **11** 2, page 11) so that there is a clean transition and no gap.

Anchoring the Saneo B, Saneo C toilets

- Place the toilet in the desired position.
- Tightly fasten the base plate with four screws (fig. **12** 2, page 12).
- Insert the caps (fig. **12** 1, page 12).
- Then bolt the toilet housing to the wall (using a maximum of 4 bolts, not included) (fig. **13**, page 12).



NOTE

1:1 template available from the manufacturer.

- Slide in the mobile tank cassette (fig. **19**, page 15).

Installation of the control and operating panel of the Saneo B, Saneo C toilets

Install the control and operating panel in the wall in the immediate vicinity of the toilet at an easily accessible location.

- For the control and operating panel, create an opening in the wall using the true-to-scale template (fig. **14**, page 13).
- Connect the electrical cables to the couplings for installation of the operating and control panel (chapter “Electrical connection” on page 30).



CAUTION!

There is a risk of injury due to the springs springing back!

- Press the retaining springs of the control and operating panel in and push it into the wall cutout (fig. **15**, page 14).

5.5 Setting up the Saneo BW, Saneo CW, Saneo BS, Saneo CS, Saneo BLP, Saneo CLP toilets

These models have a wall connection console. The control and operating panel is integrated in the wall connection console.

Models Saneo BW and Saneo CW feature a built-in water tank, while models Saneo BS and Saneo CS do not have a water tank.

Set up all models with wall connection console directly against the room wall (fig. **16**, page 14). A previously attached wall bracket is used to secure the toilet and the wall bracket.

- Screw on the wall bracket, level, at the following height (fig. **17**, page 14):

Variant A:

Model	A	B	C	D
Saneo BW, Saneo BS	170 mm	96 mm	645 mm	652 mm
Saneo CW, Saneo CS	170 mm	96 mm	645 mm	652 mm
Saneo BLP, Saneo CLP	170 mm	96 mm	462 mm	469 mm

Variant B:

- **Saneo BW, Saneo BS:** h = 661 mm
 - **Saneo CW, Saneo CS:** h = 661 mm
 - **Saneo BLP, Saneo CLP:** h = 478 mm
- Put the entire toilet module into the desired position in front of the wall bracket.
 - Lift the toilet and hook the housing into the wall bracket (fig. **18**, page 15).
 - Tightly fasten the base plate with four screws (fig. **12** 2, page 12).
 - Insert the caps (fig. **12** 1, page 12).
 - Slide in the mobile tank cassette (fig. **19**, page 15).

5.6 Water connection



NOTE

For the Saneo xW models with an integrated water tank, the water connection is installed at the factory.

- Connect the water supply using a smooth hose connection (fig. **20** 1, page 16). The connection socket is not included in the scope of delivery.

- Perform a leak test.

**NOTICE!**

The operating pressure (water pressure) of the solenoid valve should not exceed 6 bar.
The solenoid valve is damaged by excessive pressure.

Performing a measurement to test the flushing output**NOTE**

Water supply (vehicle-side pump):
The toilet requires a min. of 7 l/min provided by the vehicle at the outlet of the hose connection of the toilet in order to ensure satisfactory flushing output of 5 l/min.

For performing a measurement to test the flushing output, there are two variants:

Variant 1:

- Disconnect the hose connection of the toilet from the vehicle line.
- Place the open end of the line into a bucket.
- Actuate the flushing for 1 minute using the toilet operating unit.
- Measure the volume of water in the bucket.
The volume of water that is in the bucket corresponds to the water flow rate in l/min.

Variant 2:

- Disconnect the hose connection of the toilet from the vehicle line.
- Connect a Gardena water meter to the toilet water line.
- Actuate the flushing using the toilet operating unit.
- Read the water flow in l/min on the Gardena water meter.

5.7 Venting the cartridge tank

Variant 1:

- In the niche floor, create an opening with a diameter of approx. 12 mm (fig. **21**, page 16).
- Run the vent hose into this opening for discharge to the outside.

Variant 2:

- ▶ Press the spray paint out of the inner frame of the door (fig. **21**, page 16).
- ▶ Install the door.
- ▶ Insert the hose of the vent into the integrated vent opening of the service door and the cassette tank (fig. **21**, page 16).

5.8 Installation of the tank flap

For the Saneo BW and Saneo CW models, mount a tank flap for the integrated water tank.

- ▶ Using the template (fig. **3** 1, page 4) create an opening in the outer wall.
- ▶ Seal the tank flap water tight (for example, with butyl rubber).
- ▶ Put the tank flap on the tank.
- ▶ Tightly fasten the tank flap with four C4x25 countersunk screws (not included).
- ▶ Slide the O-ring onto the inner tube of the tank flap (fig. **24**, page 18):
 - **A:** Position of the O-ring with a wall thickness of 30 mm – 50 mm
 - **B:** Position of the O-ring with a wall thickness of 20.5 mm – 30 mm
- ▶ Grease the O-ring. This makes it easier for the filler neck to be connected with the upper part of the tank.

6 Electrical connection



WARNING!

The electrical system must be wired by qualified personnel.



NOTICE!

- Do not connect the toilet to the voltage supply directly in parallel with other power-consuming devices.
- Do not connect the control of the toilet to a pressurised water pump.
- The rated capacity of an external water pump must not exceed 100 W.



NOTE

- The external water pump is not included in the scope of delivery.
- A pre-fuse is not necessary, because the toilet is internally fused.

Key for fig. **25**, page 19:

Item	Label
1	Toilet
2	Water pump
3	Switch
4	Fuse/main terminal box
5	12 V supply




The layout of the touch-switch control unit (fig. **26** A, page 20) and of the tact-switch control unit (fig. **26** B, page 20) is as follows:

Item	Label
1	5-pin connector for Reed sensors cassette tank and micro-switch cassette
2	Only Saneo BW, CW: Float level indicator, water tank
3	Jumper (only touch-switch control unit)
4	Only Saneo B, C, BS, CS, BLP, CLP: Valve connection Only Saneo BW, CW: Internal pump connection
5	12 V supply
6	Fuse (10 A)

- Connect the toilet via the main terminal block of the vehicle to its own power supply (fig. **25**, page 19 and fig. **26** 5, page 20). Use the corresponding cable (fig. **27**, page 20):

Pos./cable colour	Label
A	Saneo B, BS, BLP, C, CS, CLP (do not use when using a pressurised water pump)
B	Saneo BW, CW
C	Saneo B, BS, BLP, C, CS, CLP with pressurised water pump (Australia)
D	Saneo BW, CW (UK)
wt	White cable, earth (-)
rt	Red cable, input (+)
bl	Blue cable, output (+) Control line for an external pump (do not use when using a pressurised water pump)

7 Technical data

	Dometic Saneo
Input voltage:	12 V $\overline{=}$
Current consumption:	Max. 2 A with internal pump Max. 10 A with external pump
Max. person weight:	150 kg
Dimensions:	See fig. 4 , page 5 to fig. 9 , page 10
Operating temperature:	0 °C to +50 °C
Capacity:	16 l (cassette tank) 7 l (freshwater tank, optional)
Test mark:	   ECE R 10



NOTE

Water supply (vehicle-side pump):

The toilet requires a min. of 7 l/min provided by the vehicle at the outlet of the hose connection of the toilet in order to ensure satisfactory flushing output of 5 l/min.

Bitte lesen Sie diese Anleitung vor Einbau und Inbetriebnahme sorgfältig durch und bewahren Sie sie auf. Geben Sie sie im Falle einer Weitergabe des Produktes an den Nutzer weiter.

Inhaltsverzeichnis

1	Erklärung der Symbole	34
2	Sicherheitshinweise	34
2.1	Grundlegende Sicherheit	35
2.2	Einbauhinweise	35
3	Bestimmungsgemäßer Gebrauch	35
4	Technische Beschreibung	36
4.1	Beschreibung der Komponenten	36
5	Toilette einbauen	37
5.1	Servicetür einbauen	37
5.2	Wandausschnitte herstellen	37
5.3	Toilette aufstellen	38
5.4	Toilette Saneo B, Saneo C aufstellen	38
5.5	Toilette Saneo BW, Saneo CW, Saneo BS, Saneo CS, Saneo BLP, Saneo CLP aufstellen	39
5.6	Wasseranschluss	40
5.7	Entlüftung des Kassettentanks	42
5.8	Einbau der Tankklappe	42
6	Elektrischer Anschluss	43
7	Technische Daten	45

1 Erklärung der Symbole

**WARNUNG!**

Sicherheitshinweis: Nichtbeachtung kann zu Tod oder schwerer Verletzung führen.

**VORSICHT!**

Sicherheitshinweis: Nichtbeachtung kann zu Verletzungen führen.

**ACHTUNG!**

Nichtbeachtung kann zu Materialschäden führen und die Funktion des Produktes beeinträchtigen.

**HINWEIS**

Ergänzende Informationen zur Bedienung des Produktes.

2 Sicherheitshinweise

Der Hersteller übernimmt in folgenden Fällen keine Haftung für Schäden:


- Montage- oder Anschlussfehler
- Beschädigungen am Produkt durch mechanische Einflüsse und Überspannungen
- Veränderungen am Produkt ohne ausdrückliche Genehmigung vom Hersteller
- Verwendung für andere als die in der Anleitung beschriebenen Zwecke

Die Konformitätserklärung kann beim Hersteller angefordert werden (Kontaktinformationen auf der Rückseite).

2.1 Grundlegende Sicherheit



WARNUNG!

- Dieses Gerät kann von Kindern ab 8 Jahren und darüber sowie von Personen mit verringerten physischen, sensorischen oder mentalen Fähigkeiten oder Mangel an Erfahrung und Wissen benutzt werden, wenn sie beaufsichtigt oder bezüglich des sicheren Gebrauchs des Gerätes unterwiesen wurden und die daraus resultierenden Gefahren verstehen.
 - Reinigung und Benutzer-Wartung dürfen nicht von Kindern ohne Beaufsichtigung durchgeführt werden.
 - Kinder sollten beaufsichtigt werden, um sicherzustellen, dass sie nicht mit dem Gerät spielen.
 - Der Einbau der Toilette darf nur von geschultem Fachpersonal erfolgen.
- 
- Sämtliche Komponenten des Systems müssen in frostfreien Bereichen eingebaut werden. Bei Minustemperaturen besteht die Gefahr der Beschädigung durch Frosteinwirkung.
 - Verwenden Sie keine Frostschutzmittel. Diese Mittel können die Kassettentoilette beschädigen.
 - Der Betriebsdruck (Wasserdruck) des Magnetventils darf 6 bar nicht überschreiten. Das Magnetventil wird durch überhöhten Druck beschädigt.
 - Die elektrische Installation muss nach den nationalen und örtlichen Vorschriften erfolgen.
In Europa: EN 1645-1, EN 1646-1, EN 1648-1, EN 1648-2.

2.2 Einbauhinweise

Die Toilette muss grundsätzlich so eingebaut werden, dass sie für Servicearbeiten gut zugänglich ist, leicht aus- und eingebaut und ohne großen Aufwand aus dem Fahrzeug entnommen werden kann.

3 Bestimmungsgemäßer Gebrauch

Die Toilette ist für den Einbau und die Verwendung in Freizeitfahrzeugen wie Wohnwagen oder Reisemobilen vorgesehen.

4 Technische Beschreibung

Die Kassettentoilette Saneo besteht aus einer im Fahrzeug fest installierten Toilette und einer herausnehmbaren, fahrbaren Kassette als Abwassertank. Die Kassette ist von außen durch eine Tür zugänglich. Je nach Modell erhält die Toilette das Spülwasser aus einem im Gehäuse integrierten Tank oder aus dem fahrzeugseitigen Frischwassertank.

Es gibt folgende Modellausführungen der Toilette:

- **Saneo B, Saneo C:** freistehend, ohne Wassertank, ohne Konsole
- **Saneo BS, Saneo CS:** freistehend, ohne Wassertank, mit Konsole
- **Saneo BW, Saneo CW:** freistehend, mit Wassertank in der Konsole
- **Saneo BLP, Saneo CLP:** freistehend, ohne Wassertank, niedrige Konsole


Saneo C-Modelle können mit einer Intervallspülung ausgestattet sein (optional). Dabei wird Wasser in kurzen Schüben in die Toilettenschüssel gepumpt, um eine verbesserte Spülbenetzung und Reinigung zu erzielen. Die Benetzung und Reinigung sind von der zur Verfügung gestellten Wassermenge im Fahrzeug abhängig.

4.1 Beschreibung der Komponenten

Pos. in Abb. 1 , Seite 3	Bezeichnung
1	Gehäuse für Kassettentank
2	Entleerungsschieber für die Toilettenschüssel
3	Toilettenschüssel drehbar, Kunststoff oder Keramik
4	Deckel und Brille, abnehmbar
5	Konsole
6	Bedienfeld mit Füllstandsanzeige und Spülung
7	Nur Saneo BW, CW: Integrierter Frischwassertank
8	Nur Saneo BW, CW: Tankklappe
9	Kassettentank
10	Servicetür

5 Toilette einbauen

5.1 Servicetür einbauen

Entnehmen Sie die Beschreibung zum Einbau der Servicetür dem beigelegten Dokument ( **Dometic Seitz SK 5**, optional und modellabhängig).

5.2 Wandausschnitte herstellen

Wandausschnitt Servicetür

- ▶ Fertigen Sie eine Öffnung in der Außenwand mit folgenden Maßen an (Abb. **2**, Seite 3):
 - **A:** für Servicetür SK5 vertikal:
 - $y_{\min} = 12,5 \text{ mm}$, $y_{\max} = 22 \text{ mm}$
 - $b = 310 \text{ mm} \pm 1 \text{ mm}$
 - $h = 360 \text{ mm} \pm 1 \text{ mm}$
 - **B:** für Servicetür SK5 horizontal:
 - $y_{\min} = 12,5 \text{ mm}$, $y_{\max} = 26 \text{ mm}$
 - $b = 360 \text{ mm} \pm 1 \text{ mm}$
 - $h = 310 \text{ mm} \pm 1 \text{ mm}$

Das Maß x ergibt sich durch die Aufstellung der Toilette. Beachten Sie dabei die Position der Servicetür (Schablone **(3)** und **(4)** auf der Verpackung).

Wandausschnitt Tankklappe

Montieren Sie bei den Modellen Saneo BW und Saneo CW eine Tankklappe für den integrierten Wassertank.

- ▶ Fertigen Sie mit der Schablone (Abb. **3** 1, Seite 4) eine Öffnung in der Außenwand. Die Schablone in der Anleitung ist stark verkleinert. Original siehe Verpackung.

Die Einbaubeschreibung der Tankklappe finden Sie in Kapitel „Einbau der Tankklappe“ auf Seite 42.

5.3 Toilette aufstellen



ACHTUNG!

Sämtliche Komponenten des Systems müssen in frostfreien Bereichen eingebaut werden. Bei Minustemperaturen besteht die Gefahr der Beschädigung durch Frosteinwirkung.

- Bauen Sie die Toilette entsprechend der Beschreibung zur jeweiligen Modellausführung ein.
- Stellen Sie die Toilette nur an einer senkrechten Wand bündig auf.
- Lassen Sie mindestens 60 mm Platz zu seitlichen Wänden, damit das Schwenken des Toilettenoberteils (mit Sitz) nicht eingeschränkt wird.
- Nutzen Sie zum Einbau die Maßskizzen und Schablonen:
 - **Saneo B, Saneo C:** Abb. **4**, Seite 5
 - **Saneo BS, Saneo CS:** Abb. **5**, Seite 6
 - **Saneo BW, Saneo CW:** Abb. **5**, Seite 6
 - **Saneo BLP, Saneo CLP:** Abb. **6**, Seite 7
 - **Fräsmaße:** Abb. **7**, Seite 8
 - **Bohrungen:** Abb. **8**, Seite 9
 - **Radien:** Abb. **9**, Seite 10



HINWEIS

- Beachten Sie bei den Schablonen für Fräsmaße, Bohrungen und Radien den Symmetrie-Punkt der Toilette (Abb. **7** A, Seite 8, Abb. **8** A, Seite 9, Abb. **9** A, Seite 10).
- Beim Einbau der Toilette in einer Nasszelle empfiehlt der Hersteller, die Toilette mit der Duschwanne zu verbinden.

5.4 Toilette Saneo B, Saneo C aufstellen

Das freistehende Modell Saneo B, Saneo C besitzt keinen integrierten Wassertank. Stellen Sie dieses Modell so auf, dass die dahinter liegende Wand das Bedienteil der Toilette, die elektrischen Anschlüsse und eventuell einen Wassertank aufnehmen kann. Ideal ist es, dazu einen Kasten vor die Raumwand zu setzen (Abb. **10**, Seite 11).



HINWEIS

Abb. **10**, Seite 11 und Abb. **11**, Seite 11 zeigen den beispielhaften Einbau in eine Duschwanne.

Beachten Sie, dass die Kassette 112 mm aus dem Kassettengehäuse herausragt (Abb. **11**, Seite 11).

- Setzen Sie den Gehäuseboden (Abb. **11** 1, Seite 11) bündig an den Einbau-rahmen der Servicetür (Abb. **11** 2, Seite 11) an, so dass ein sauberer Übergang ohne Spalt entsteht.

Toilette Saneo B, Saneo C befestigen

- Stellen Sie die Toilette an der gewünschten Position auf.
- Schrauben Sie die Bodenplatte mit vier Schrauben fest (Abb. **12** 2, Seite 12).
- Setzen Sie die Abdeckkappen ein (Abb. **12** 1, Seite 12).
- Schrauben Sie danach das Toilettengehäuse (mit maximal 4 Schrauben, nicht beiliegend) an der Wand fest (Abb. **13**, Seite 12).



HINWEIS

1:1 Schablone erhältlich beim Hersteller.

- Schieben Sie die fahrbare Tankkassette ein (Abb. **19**, Seite 15).

Kontroll- und Bedienfeld der Toilette Saneo B, Saneo C einbauen

Bauen Sie das Kontroll- und Bedienfeld an einer gut erreichbaren Stelle in einer Wand in unmittelbarer Nähe der Toilette ein.

- Fertigen Sie für das Kontroll- und Bedienfeld mit der maßstabsgerechten Schablone (Abb. **14**, Seite 13) eine Öffnung in der Wand.
- Verbinden Sie die elektrischen Kabel an den Kupplungen zum Einbau des Kontroll- und Bedienfeldes (Kapitel „Elektrischer Anschluss“ auf Seite 43).



VORSICHT!

Es besteht Verletzungsgefahr durch zurückspringende Federn!

- Drücken Sie die Haltefedern des Kontroll- und Bedienfeldes ein und schieben Sie es in den Wandausschnitt (Abb. **15**, Seite 14).

5.5 Toilette Saneo BW, Saneo CW, Saneo BS, Saneo CS, Saneo BLP, Saneo CLP aufstellen

Diese Modelle haben eine Wandanschlusskonsole. Das Kontroll- und Bedienfeld ist in der Wandanschlusskonsole integriert.

Die Modelle Saneo BW und Saneo CW verfügen über einen eingebauten Wassertank, während die Modelle Saneo BS und Saneo CS keinen Wassertank besitzen.

Stellen Sie alle Modelle mit Wandanschlusskonsole direkt an der Raumwand auf (Abb. **16**, Seite 14). Zur Befestigung der Toilette und der Konsole dient ein zuvor angebrachter Wandhalter.

- Schrauben Sie den Wandhalter waagrecht in der folgenden Höhe an (Abb. **17**, Seite 14):

Variante A:

Modell	A	B	C	D
Saneo BW, Saneo BS	170 mm	96 mm	645 mm	652 mm
Saneo CW, Saneo CS	170 mm	96 mm	645 mm	652 mm
Saneo BLP, Saneo CLP	170 mm	96 mm	462 mm	469 mm

Variante B:

- **Saneo BW, Saneo BS:** h = 661 mm
 - **Saneo CW, Saneo CS:** h = 661 mm
 - **Saneo BLP, Saneo CLP:** h = 478 mm
- Bringen Sie das komplette Toilettenmodul in die gewünschte Position vor dem Wandhalter.
 - Heben Sie die Toilette an und haken Sie das Gehäuse in den Wandhalter ein (Abb. **18**, Seite 15).
 - Schrauben Sie die Bodenplatte mit vier Schrauben fest (Abb. **12** 2, Seite 12).
 - Setzen Sie die Abdeckkappen ein (Abb. **12** 1, Seite 12).
 - Schieben Sie die fahrbare Tankkassette ein (Abb. **19**, Seite 15).

5.6 Wasseranschluss



HINWEIS

Bei den Modellen Saneo xW mit integriertem Wassertank ist der Wasseranschluss werksseitig montiert.

- Schließen Sie die Wasserversorgung über einen glatten Schlauchanschluss (Abb. **20** 1, Seite 16) an. Die Anschlussstülle ist nicht im Lieferumfang enthalten.
- Führen Sie eine Dichtheitsprüfung durch.

**ACHTUNG!**

Der Betriebsdruck (Wasserdruck) des Magnetventils darf 6 bar nicht überschreiten.
Das Magnetventil wird durch überhöhten Druck beschädigt.

Auslitern für den Spülleistungstest**HINWEIS**

Wasserversorgung (fahrzeugseitige Pumpe):
Die Toilette benötigt fahrzeugseitig min. 7 l/min am Ausgang des Schlauchanschlusses der Toilette, um eine ausreichende Spülleistung mit min. 5 l/min zu gewährleisten.

Zum Auslitern für den Spülleistungstest gibt es zwei Varianten:

Variante 1:

- ▶ Trennen Sie die Schlauchverbindung der Toilette von der fahrzeugseitigen Leitung.
- ▶ Hängen Sie das offene Ende der Leitung in einen Eimer.
- ▶ Betätigen Sie 1 min lang die Spülung über das Toilettenbedienteil.
- ▶ Messen Sie die Wassermenge, die sich im Eimer befindet.
Die Wassermenge, die sich im Eimer befindet, entspricht dem Wasserdurchsatz in l/min.

Variante 2:

- ▶ Trennen Sie die Schlauchverbindung der Toilette von der fahrzeugseitigen Leitung.
- ▶ Klemmen Sie einen Gardena-Wassermengenzähler an die Toiletten-Wasserleitung an.
- ▶ Betätigen Sie die Spülung über das Toilettenbedienteil.
- ▶ Lesen Sie den Wasserdurchsatz in l/min auf dem Gardena-Wassermengenzähler ab.

5.7 Entlüftung des Kassetten tanks

Variante 1

- Stellen Sie im Nischenboden eine Öffnung mit einem Durchmesser von ca. 28 mm bis 30 mm her.
- Verbinden Sie den Entlüftungsschlauch mit der Toilette (Abb. **21** 1, Seite 16).
- Führen Sie den Entlüftungsschlauch (im Lieferumfang enthalten) in die Öffnung ein, zur Ableitung nach außen (Abb. **21** 2, Seite 16).

Variante 2

- Verbinden Sie den dünneren Schlauch mittels Adapters (im Lieferumfang enthalten) mit dem Entlüftungsschlauch (Abb. **21**, Seite 16).
- Stecken Sie den Schlauch durch die Öffnung im Türrahmen (Abb. **21**, Seite 16).

5.8 Einbau der Tankklappe

Montieren Sie bei den Modellen Saneo BW und Saneo CW eine Tankklappe für den integrierten Wassertank.

- Fertigen Sie mit der Schablone (Abb. **3** 1, Seite 4) eine Öffnung in der Außenwand an.
- Dichten Sie die Tankklappe wasserdicht ab (z. B. mit Butylkautschuk).
- Schieben Sie den O-Ring auf das Innenrohr der Tankklappe auf (Abb. **24**, Seite 18):
 - **A:** Position des O-Rings bei Wandstärken 30 mm – 50 mm
 - **B:** Position des O-Rings bei Wandstärken 20,5 mm – 30 mm
- Fetten Sie den O-Ring. Dadurch lässt sich der Einfüllstutzen leicht mit dem Tankoberteil verbinden.
- Stecken Sie die Tankklappe auf den Tank auf.
- Schrauben Sie die Tankklappe mit vier Senkkopfschrauben C4x25 (nicht im Lieferumfang enthalten) fest.

6 Elektrischer Anschluss



WARNUNG!

Der elektrische Anschluss muss von Fachpersonal ausgeführt werden.



ACHTUNG!

- Toilette nicht direkt parallel zu anderen Verbrauchern an Spannungsversorgung anschließen.
- Die Steuerung der Toilette nicht an eine Druckwasserpumpe anschließen.
- Die Nennleistung einer externen Wasserpumpe darf 100 W nicht überschreiten.



HINWEIS

- Die externe Wasserpumpe ist nicht im Lieferumfang vorhanden.
- Eine Versicherung ist nicht notwendig, da die Toilette intern abgesichert ist.

Legende zu Abb. **25**, Seite 19:

Pos.	Bezeichnung
1	Saneo
2	Wasserpumpe
3	Schalter
4	Sicherungs-/Hauptanschlusskasten
5	12-V-Versorgung



Die Belegung des Touch-Switch-Bedienteils (Abb. **26** A, Seite 20) und des Tact-Switch-Bedienteils (Abb. **26** B, Seite 20) lautet wie folgt:

Pos.	Bezeichnung
1	5-poliger Anschluss für Reedensoren Kassettentank und Mikroschalter Kassette
2	Nur Saneo BW, CW: Schwimmer-Füllstandsanzeige Wassertank
3	Jumper (nur Touch-Switch-Bedienteil)
4	Nur Saneo B, C, BS, CS, BLP, CLP: Anschluss Ventil Nur Saneo BW, CW: Anschluss interne Pumpe
5	12-V-Versorgung
6	Sicherung (10 A)

- Schließen Sie die Toilette über den Hauptanschlussblock des Fahrzeugs an eine eigene Spannungsversorgung an (Abb. **25**, Seite 19 und Abb. **26** 5, Seite 20). Verwenden Sie dafür das entsprechende Kabel (Abb. **27**, Seite 20):

Pos./Kabelfarbe	Bezeichnung
A	Saneo B, BS, BLP, C, CS, CLP (nicht verwenden bei Einsatz einer Druckwasserpumpe)
B	Saneo BW, CW
C	Saneo B, BS, BLP, C, CS, CLP mit Druckwasserpumpe (Australien)
D	Saneo BW, CW (UK)
ws	weißes Kabel, Masse (-)
rt	rotes Kabel, Eingang (+)
bl	blaues Kabel, Ausgang (+) Steuerleitung für eine externe Pumpe (nicht verwenden bei Einsatz einer Druckwasserpumpe)

7 Technische Daten

	Dometic Saneo
Versorgungsspannung:	12 V $\overline{=}$
Stromaufnahme:	max. 2 A bei interner Pumpe max. 10 A bei externer Pumpe
Max. Personengewicht:	150 kg
Abmessungen:	siehe Abb. 4 , Seite 5 bis Abb. 9 , Seite 10
Betriebstemperatur:	0 °C bis +50 °C
Fassungsvermögen:	16 l (Kassetten tank) 7 l (Frischwassertank, optional)
Prüfzeichen:	  NI ECE R 10



HINWEIS

Wasserversorgung (fahrzeugseitige Pumpe):

Die Toilette benötigt fahrzeugseitig min. 7 l/min am Ausgang des Schlauchanschlusses der Toilette, um eine ausreichende Spülleistung mit min. 5 l/min zu gewährleisten.

Die aktuelle EU-Konformitätserklärung für Ihr Gerät erhalten Sie auf der jeweiligen Produktseite auf dometic.com oder direkt über den Hersteller (siehe Rückseite).

Veillez lire attentivement cette notice avant le montage et la mise en service. Veillez ensuite la conserver. En cas de passer le produit, veuillez le transmettre au nouvel acquéreur.

Table des matières

1	Explication des symboles	47
2	Consignes de sécurité	47
2.1	Consignes générales de sécurité	48
2.2	Instructions de montage	48
3	Usage conforme	48
4	Description technique	49
4.1	Description des composants	49
5	Installation des toilettes	50
5.1	Installation de la porte de service	50
5.2	Exécution des découpes dans le mur	50
5.3	Installation des toilettes	51
5.4	Installation des toilettes Saneo B, Saneo C	52
5.5	Installation des toilettes Saneo BW, Saneo CW, Saneo BS, Saneo CS, Saneo BLP, Saneo CLP	53
5.6	Raccordement à l'eau	54
5.7	Montage du clapet de réservoir	55
6	Raccordement électrique	56
7	Caractéristiques techniques	58

1 Explication des symboles

**AVERTISSEMENT !**

Consigne de sécurité : le non-respect de ces consignes peut entraîner la mort ou de graves blessures.

**ATTENTION !**

Consigne de sécurité : le non-respect de ces consignes peut entraîner des blessures.

**AVIS !**

Le non-respect de ces consignes peut entraîner des dommages matériels et des dysfonctionnements du produit.

**REMARQUE**

Informations complémentaires sur l'utilisation du produit.

2 Consignes de sécurité

Le fabricant décline toute responsabilité pour des dommages dans les cas suivants :

- des défauts de montage ou de raccordement
- des influences mécaniques et des surtensions ayant endommagé le matériel
- des modifications apportées au produit sans autorisation explicite de la part du fabricant
- une utilisation différente de celle décrite dans la notice

La déclaration de conformité peut être demandée auprès du fabricant (coordonnées au dos).

2.1 Consignes générales de sécurité



AVERTISSEMENT !

- Les enfants âgés de 8 ans et plus ainsi que les personnes ayant des déficiences physiques, sensorielles ou mentales ou un manque d'expérience ou de connaissances peuvent utiliser ce produit à condition d'être sous surveillance ou d'avoir reçu des instructions concernant l'utilisation de l'appareil en toute sécurité et de comprendre les dangers qui en résultent.
- Le nettoyage et la maintenance ne doivent pas être effectués par des enfants sans surveillance.
- Les enfants doivent être surveillés pour s'assurer qu'ils ne jouent pas avec l'appareil.
- Seul un personnel qualifié est habilité à installer les toilettes.



- Tous les composants du système doivent être installés dans les zones sans gel. À basses températures, il existe un risque de dommages par l'action du gel.
- N'utilisez aucun antigel. Ces produits peuvent endommager les toilettes à cassette.
- La pression de service (pression de l'eau) de l'électrovanne ne doit pas dépasser 6 bars. L'électrovanne est endommagée par une pression excessive.
- L'installation électrique doit être effectuée conformément aux règlements locaux et nationaux.
En Europe : EN 1645-1, EN 1646-1, EN 1648-1, EN 1648-2.

2.2 Instructions de montage

Les toilettes doivent être installées de sorte à être facilement accessibles pour les travaux de maintenance, et à ce qu'elles puissent être installées et retirées sans trop d'effort du véhicule.

3 Usage conforme

Les toilettes sont prévues pour l'installation et l'utilisation dans les véhicules de loisirs comme les caravanes ou les camping-cars.

4 Description technique

Les toilettes à cassette Saneo consistent en des toilettes installée dans le véhicule et une cassette amovible, mobile, servant de réservoir d'eaux usées. La cassette est accessible depuis l'extérieur par une porte. Selon le modèle, les toilettes reçoivent l'eau de la chasse d'eau d'un réservoir intégré dans le bâti ou du réservoir d'eau douce du véhicule.

Les modèles de toilettes suivants sont disponibles :

- **Saneo B, Saneo C** : autoportants, sans réservoir d'eau, sans console
- **Saneo BS, Saneo CS** : autoportants, sans réservoir d'eau, avec console
- **Saneo BW, Saneo CW** : autoportants, avec réservoir d'eau et console
- **Saneo BLP, Saneo CLP** : autoportants, sans réservoir d'eau, console basse


Les modèles Saneo C peuvent être équipés d'un rinçage par intervalles (en option). L'eau est alors pompée par brefs à-coups dans la cuvette des toilettes pour atteindre une meilleure humidification de rinçage et de nettoyage. L'humidification et le nettoyage dépendent de la quantité d'eau disponible dans le véhicule.

4.1 Description des composants

Pos. dans fig. 1 , page 3	Désignation
1	Bâti pour réservoir à cassette
2	Glissière de vidange de la cuvette des toilettes
3	Cuvette de toilette rotative, en plastique ou en céramique
4	Couvercle et lunette, amovibles
5	Console
6	Panneau de commande avec indicateur de niveau et rinçage
7	Seulement Saneo BW, CW : Réservoir d'eau douce intégré
8	Seulement Saneo BW, CW : Clapet du réservoir
9	Réservoir à cassette
10	Porte de service

5 Installation des toilettes

5.1 Installation de la porte de service

Reportez-vous à la description du document ci-joint pour installer la porte de service ( **Dometic Seitz SK 5**, en option et selon le modèle).

5.2 Exécution des découpes dans le mur

Découpe dans le mur pour la porte de service

- Pratiquez une ouverture dans la paroi extérieure avec les dimensions suivantes (fig. **2**, page 3) :
 - **A** : pour porte de service verticale SK5 :
 - $y_{\min} = 12,5 \text{ mm}$, $y_{\max} = 22 \text{ mm}$
 - $l = 310 \text{ mm} \pm 1 \text{ mm}$
 - $h = 360 \text{ mm} \pm 1 \text{ mm}$
 - **B** : pour porte de service horizontale SK5 :
 - $y_{\min} = 12,5 \text{ mm}$, $y_{\max} = 26 \text{ mm}$
 - $l = 360 \text{ mm} \pm 1 \text{ mm}$
 - $h = 310 \text{ mm} \pm 1 \text{ mm}$

La dimension x résulte de l'installation des toilettes. Ce faisant, respectez la position de la porte de service (gabarits **(3)** et **(4)** sur l'emballage).

Découpe dans le mur pour le couvercle du réservoir

Pour les modèles Saneo BW et Saneo CW, montez un clapet de réservoir pour le réservoir d'eau intégré.

- Avec le gabarit, pratiquez une ouverture dans le mur extérieur (fig. **3** 1, page 4). Le gabarit du manuel est fortement réduit. Pour l'original, voir l'emballage.

Vous trouverez la description d'installation du couvercle du réservoir dans chapitre « Montage du clapet de réservoir », page 55.

5.3 Installation des toilettes



AVIS !

Tous les composants du système doivent être installés dans les zones sans gel. À basses températures, il existe un risque de dommages par l'action du gel.

- Installez les toilettes selon la description de l'exécution du modèle respectif.
- Installez les toilettes uniquement sur une paroi verticale, au même niveau.
- Laissez au moins 60 mm d'espace par rapport aux murs latéraux afin que le pivotement de la partie supérieure des toilettes (avec siège) ne soit pas limité.
- Pour l'installation, utilisez les croquis cotés et les gabarits :
 - **Saneo B, Saneo C** : fig. **4**, page 5
 - **Saneo BS, Saneo CS** : fig. **5**, page 6
 - **Saneo BW, Saneo CW** : fig. **5**, page 6
 - **Saneo BLP, Saneo CLP** : fig. **6**, page 7
 - **Dimensions de la fraise** : fig. **7**, page 8
 - **Alésages** : fig. **8**, page 9
 - **Rayons** : fig. **9**, page 10



REMARQUE

- Sur les gabarits pour les dimensions de la fraise, les alésages et les rayons, tenez compte du point de symétrie des toilettes (fig. **7** A, page 8, fig. **8** A, page 9, fig. **9** A, page 10).
- En cas d'installation des toilettes dans une salle de bains, le fabricant vous recommande de raccorder les toilettes avec le bac de la douche.

5.4 Installation des toilettes Saneo B, Saneo C

Le modèle autoportant Saneo B, Saneo C n'a aucun réservoir d'eau intégré. Installez ce modèle de telle sorte que la paroi se trouvant derrière puisse supporter l'élément de commande des toilettes, les raccordements électriques et éventuellement un réservoir d'eau. L'idéal est de placer une boîte devant le mur à cet effet (fig. 10, page 11).



REMARQUE

fig. 10, page 11 et fig. 11, page 11 montrent un exemple d'installation dans un bac à douche.

Veillez tenir compte du fait que la cassette dépasse de 112 mm du bâti de la cassette (fig. 11, page 11).

- Placez la partie inférieure du boîtier (fig. 11 1, page 11) en affleurement avec le cadre de montage de la porte de service (fig. 11 2, page 11), afin d'obtenir une transition parfaite, sans interstice.

Fixation des toilettes Saneo B, Saneo C

- Installez les toilettes à la position souhaitée.
- Vissez la plaque de base avec quatre vis (fig. 12 2, page 12).
- Placez les bouchons (fig. 12 1, page 12).
- Vissez ensuite le bâti des toilettes (avec max. 4 vis, non fournies) à la paroi (fig. 13, page 12).



REMARQUE

Gabarit 1:1 disponible auprès du fabricant.

- Insérez la cassette mobile du réservoir (fig. 19, page 15).

Installation du panneau de commande et de contrôle des toilettes Saneo B, Saneo C

Montez le panneau de commande et de contrôle à un endroit bien accessible dans le mur à proximité immédiate des toilettes.

- Avec le gabarit à l'échelle réelle (fig. 14, page 13), pratiquez une ouverture dans la paroi pour le panneau de commande et de contrôle.
- Branchez les fils électriques au niveau des raccords afin de monter le panneau de commande et de contrôle (chapitre « Raccordement électrique », page 56).

**ATTENTION !**

Il existe un risque de blessure si les ressorts se détendent !

- Poussez les ressorts de retenue du panneau de commande et de contrôle et insérez le panneau de commande dans l'ouverture du mur (fig. **15**, page 14).

5.5 Installation des toilettes Saneo BW, Saneo CW, Saneo BS, Saneo CS, Saneo BLP, Saneo CLP

Ces modèles ont une console de connexion murale. Le panneau de commande et de contrôle est intégré à la console de connexion murale.

Les modèles Saneo BW et Saneo CW ont un réservoir d'eau intégré, tandis que les modèles Saneo BS et Saneo CS n'ont aucun réservoir d'eau.

Installez tous les modèles avec console de connexion murale directement sur le mur (fig. **16**, page 14). Une fixation murale fixée précédemment est utilisée pour la fixation des toilettes et de la console.

- Vissez la fixation murale à l'horizontale à la hauteur suivante (fig. **17**, page 14):
Variante A :

Modèle	A	B	C	D
Saneo BW, Saneo BS	170 mm	96 mm	645 mm	652 mm
Saneo CW, Saneo CS	170 mm	96 mm	645 mm	652 mm
Saneo BLP, Saneo CLP	170 mm	96 mm	462 mm	469 mm

Variante B :

- **Saneo BW, Saneo BS** : h = 661 mm
 - **Saneo CW, Saneo CS** : h = 661 mm
 - **Saneo BLP, Saneo CLP** : h = 478 mm
- Placez le module complet des toilettes dans la position souhaitée, devant la fixation murale.
 - Soulevez les toilettes et accrochez le bâti dans la fixation murale (fig. **18**, page 15).
 - Vissez la plaque de base avec quatre vis (fig. **12** 2, page 12).
 - Placez les bouchons (fig. **12** 1, page 12).
 - Insérez la cassette mobile du réservoir (fig. **19**, page 15).

5.6 Raccordement à l'eau



REMARQUE

Sur les modèles Saneo xW avec réservoir d'eau intégrée, le raccordement à l'eau est monté en usine.

- Raccordez l'alimentation à l'eau via un raccordement de tuyau lisse (fig. 20 1, page 16). La buse de connexion n'est pas comprise dans la livraison.
- Effectuez un test d'étanchéité.



AVIS !

La pression de service (pression de l'eau) de l'électrovanne ne doit pas dépasser 6 bars.
L'électrovanne est endommagée par une pression excessive.

Étalonnage pour le test de puissance de chasse d'eau



REMARQUE

Alimentation en eau (pompe du véhicule) :
Les toilettes nécessitent, du côté du véhicule, min. 7 l/min à la sortie du tuyau de raccordement des toilettes, afin de garantir des performances de lavage suffisantes avec min. 5 l/min.

Pour l'étalonnage pour le test de puissance de chasse d'eau, il existe deux variantes :

Variante 1 :

- Débranchez le raccord du tuyau des toilettes de la canalisation du véhicule.
- Placez l'extrémité ouverte du tuyau dans un seau.
- Actionnez la chasse d'eau pendant 1 minute, grâce au panneau de commande des toilettes.
- Mesurez la quantité d'eau qui se trouve dans le seau.
La quantité d'eau qui se trouve dans le seau équivaut au débit d'eau en l/min.

Variante 2 :

- Débranchez le raccord du tuyau des toilettes de la canalisation du véhicule.
- Fixez un débitmètre d'eau Gardena sur la canalisation d'alimentation en eau des toilettes.
- Actionnez la chasse d'eau grâce au panneau de commande des toilettes.
- Lisez le débit en l/min sur le compteur d'eau Gardena.

5.7 Montage du clapet de réservoir

Pour les modèles Saneo BW et Saneo CW, montez un clapet de réservoir pour le réservoir d'eau intégré.

- Avec le gabarit, pratiquez une ouverture dans le mur extérieur (fig. **3** 1, page 4).
- Scellez le clapet du réservoir de manière étanche à l'eau (p. ex. avec du caoutchouc butyle).
- Remettez le clapet sur le réservoir.
- Vissez le clapet du réservoir avec quatre vis à tête fraisée C4x25 (non comprises à la livraison).
- Placez le joint torique sur le tube intérieur du clapet du réservoir (fig. **24**, page 18) :
 - **A** : Position du joint torique pour des épaisseurs de paroi de 30 mm – 50 mm
 - **B** : Position du joint torique pour des épaisseurs de paroi de 20,5 mm – 30 mm
- Graissez le joint torique. La tubulure de remplissage se raccorde ainsi facilement avec la partie supérieure du réservoir.

6 Raccordement électrique



AVERTISSEMENT !

Le raccordement électrique doit être effectué par du personnel qualifié.



AVIS !

- Ne raccordez pas directement les toilettes à l'alimentation en parallèle aux autres consommateurs connectés.
- Ne pas raccorder la commande des toilettes à une pompe à eau pressurisée.
- La puissance nominale d'une pompe à eau pressurisée externe ne doit pas dépasser 100 W.



REMARQUE

- La pompe à eau externe n'est pas incluse dans la livraison.
- Un fusible en amont n'est pas nécessaire, parce que la toilette est protégée en interne.

Légende de fig. **25**, page 19 :

Pos.	Désignation
1	Saneo
2	Pompe à eau
3	Commutateur
4	Boîtier des fusibles/de raccordement principal
5	Alimentation 12 V

L'affectation du panneau Touch Switch (fig. 26 A, page 20) et du panneau Tact Switch (fig. 26 B, page 20) est la suivante :




Pos. Désignation

- | | |
|---|--|
| 1 | Raccordement à 5 pôles pour capteurs Reed, réservoir à cassette et micro-interrupteur cassette |
| 2 | Uniquement Saneo BW, CW : flotteur de l'indicateur de niveau du réservoir d'eau |
| 3 | Cavalier (uniquement panneau Touch Switch) |
| 4 | Uniquement Saneo B, C, BS, CS, BLP, CLP : Raccordement soupape
Uniquement Saneo BW, CW : Raccordement pompe interne |
| 5 | Alimentation 12 V |
| 6 | Fusible (10 A) |

- Raccordez les toilettes via le bornier principal du véhicule sur une alimentation propre (fig. 25, page 19 et fig. 26 5, page 20). Utilisez pour ce faire le câble correspondant (fig. 27, page 20):

Pos./couleur du câble	Désignation
A	Saneo B, BS, BLP, C, CS, CLP (ne pas utiliser en cas d'utilisation d'une pompe à eau pressurisée)
B	Saneo BW, CW
C	Saneo B, BS, BLP, C, CS, CLP avec pompe à eau pressurisée (Australie)
D	Saneo BW, CW (UK)
ws	Câble blanc, masse (-)
rt	Câble rouge, entrée (+)
bl	Câble bleu, sortie (+) ligne de commande pour une pompe externe (ne pas utiliser en cas d'utilisation d'une pompe à eau pressurisée)

7 Caractéristiques techniques

	Dometic Saneo
Tension d'alimentation :	12 V $\overline{=}$
Intensité absorbée :	2 A max. avec la pompe interne 10 A max. avec la pompe externe
Poids max. de la personne :	150 kg
Dimensions :	voir fig. 4 , page 5 à fig. 9 , page 10
Température de fonctionnement :	de 0 °C à +50 °C
Capacité :	16 l (réservoir à cassette) 7 l (réservoir d'eau douce, en option)
Conformité :	   ECE R 10



REMARQUE

Alimentation en eau (pompe du véhicule) :

Les toilettes nécessitent, du côté du véhicule, min. 7 l/min à la sortie du tuyau de raccordement des toilettes, afin de garantir des performances de lavage suffisantes avec min. 5 l/min.

Lea detenidamente estas instrucciones antes de llevar a cabo la instalación y puesta en funcionamiento, y consérvelas en un lugar seguro. En caso de vender o entregar el producto a otra persona, entregue también estas instrucciones.

Índice

1	Explicación de los símbolos	60
2	Indicaciones de seguridad	60
2.1	Seguridad básica	61
2.2	Indicaciones para el montaje	61
3	Uso adecuado	61
4	Descripción técnica	62
4.1	Descripción de los componentes	62
5	Montar el inodoro	63
5.1	Montar el portón de servicio	63
5.2	Practicar aberturas de pared	63
5.3	Instalar el inodoro	64
5.4	Instalar los inodoros Saneo B y Saneo C	64
5.5	Instalar los inodoros Saneo BW, Saneo CW, Saneo BS, Saneo CS, Saneo BLP y Saneo CLP	66
5.6	Conexión de agua	67
5.7	Montaje de la tapa del depósito	68
6	Conexión eléctrica	69
7	Datos técnicos	71

1 Explicación de los símbolos

**¡ADVERTENCIA!**

Indicación de seguridad: su incumplimiento puede acarrear la muerte o graves lesiones.

**¡ATENCIÓN!**

Indicación de seguridad: su incumplimiento puede acarrear lesiones.

**¡AVISO!**

Su incumplimiento puede acarrear daños materiales y perjudicar el correcto funcionamiento del producto.

**NOTA**

Información adicional para el manejo del producto.

2 Indicaciones de seguridad

El fabricante declina toda responsabilidad ante daños ocurridos en los siguientes casos:

- errores de montaje o de conexión
- daños en el producto debido a influencias mecánicas y sobretensiones
- modificaciones realizadas en el producto sin el expreso consentimiento del fabricante
- utilización del aparato para fines distintos a los descritos en las instrucciones

Se puede solicitar al fabricante la declaración de conformidad (información de contacto en el dorso).

2.1 Seguridad básica



¡ADVERTENCIA!

- Los niños mayores de 8 años y las personas de capacidad física, sensorial o mental disminuida, así como aquellas personas con falta de experiencia y conocimientos suficientes solo podrán utilizar este aparato bajo vigilancia o si han sido instruidos respecto al uso seguro del aparato y a los posibles peligros que pueden emanar de él.
- Los niños solo podrán realizar las tareas de limpieza y mantenimiento bajo vigilancia.
- Se debe vigilar a los niños para asegurarse de que no jueguen con el aparato.
- El montaje del inodoro solo puede ser realizado por personal especializado y con la debida formación.



- La totalidad de componentes del sistema deben montarse en lugares protegidos contra las heladas. En caso de temperaturas bajo cero existe riesgo de daños por heladas.
- No utilice anticongelantes. Estos productos pueden dañar el inodoro de cassette.
- La presión de servicio (presión del agua) de la electroválvula no puede superar 6 bares. La electroválvula queda dañada en caso de una presión excesiva.
- La instalación eléctrica debe efectuarse de conformidad con los reglamentos nacionales.
En Europa: EN 1645-1, EN 1646-1, EN 1648-1, EN 1648-2.

2.2 Indicaciones para el montaje

El inodoro debe montarse de manera que sea accesible para labores de servicio, que se monte y desmonte con facilidad y que se pueda retirar del vehículo sin gran esfuerzo.

3 Uso adecuado

El inodoro está indicado para su montaje y uso en vehículos habitables de tiempo libre como caravanas y autocaravanas.

4 Descripción técnica

El inodoro de cassette Saneo se compone de un inodoro instalado de forma fija en el vehículo y de un cassette móvil y extraíble como tanque de aguas negras. Se puede acceder al cassette desde fuera por un portón. En función del modelo, el inodoro puede recibir el agua para la descarga desde una cisterna integrada en la carcasa o desde el depósito de agua limpia del vehículo.

Existen los siguientes modelos de inodoro:

- **Saneo B, Saneo C:** autónomo, sin cisterna, sin consola
- **Saneo BS, Saneo CS:** autónomo, sin cisterna, con consola
- **Saneo BW, Saneo CW:** autónomo, con cisterna en la consola
- **Saneo BLP, Saneo CLP:** autónomo, sin cisterna, consola baja


Los modelos Saneo C pueden equiparse con una descarga a intervalos (opcional). Con esta se bombea agua en intervalos breves en la taza del inodoro para lograr que se cubra de agua y se limpie mejor. La descarga y la limpieza dependen de la cantidad de agua disponible en el vehículo.

4.1 Descripción de los componentes

Pos. en fig. 1 , página 3	Denominación
1	Carcasa para el depósito de cassette
2	Corredera para vaciar para la taza del inodoro
3	Taza giratoria, de plástico o cerámica
4	Tapa y asiento, extraíbles
5	Consola
6	Panel de mando con indicación de llenado y enjuague
7	Solo Saneo BW, CW: Depósito de agua limpia integrado
8	Solo Saneo BW, CW: Tapa del depósito
9	Depósito de cassette
10	Portón de servicio

5 Montar el inodoro

5.1 Montar el portón de servicio

Consulte la descripción para el montaje del portón de servicio en el documento adjunto ( **Dometic Seitz SK 5**, opcional y según el modelo).

5.2 Practicar aberturas de pared

Abertura de pared para el portón de servicio

- ▶ Practique una abertura en la pared exterior con las siguientes dimensiones (fig. **2**, página 3):
 - **A:** para el portón de servicio SK5 vertical:
 - $y_{\text{mín}} = 12,5 \text{ mm}$, $y_{\text{máx}} = 22 \text{ mm}$
 - $b = 310 \text{ mm} \pm 1 \text{ mm}$
 - $h = 360 \text{ mm} \pm 1 \text{ mm}$
 - **B:** para el portón de servicio SK5 horizontal:
 - $y_{\text{mín}} = 12,5 \text{ mm}$, $y_{\text{máx}} = 26 \text{ mm}$
 - $b = 360 \text{ mm} \pm 1 \text{ mm}$
 - $h = 310 \text{ mm} \pm 1 \text{ mm}$

La medida x se obtiene colocando el inodoro. Tenga en cuenta la posición del portón de servicio (plantilla **(3)** y **(4)** en el embalaje).

Abertura de pared para la tapa del depósito

Con los modelos Saneo BW y Saneo CW, monte una tapa para el depósito integrado.

- ▶ Practique una abertura en la pared exterior con la plantilla (fig. **3** 1, página 4). La plantilla de las instrucciones está muy reducida. La original está en el embalaje.

Encontrará la descripción del montaje de la tapa del depósito en el capítulo “Montaje de la tapa del depósito” en la página 68.

5.3 Instalar el inodoro



¡AVISO!

La totalidad de componentes del sistema deben montarse en lugares protegidos contra las heladas. En caso de temperaturas bajo cero existe riesgo de daños por heladas.

- Monte el inodoro conforme a la descripción para el modelo correspondiente.
- Coloque únicamente el inodoro a ras de una pared vertical.
- Deje al menos 60 mm de distancia con respecto a las paredes laterales para que no quede limitado el giro de la parte superior del inodoro (tapa y asiento).
- Para el montaje, use los esquemas acotados y las plantillas:
 - **Saneo B, Saneo C:** fig. **4**, página 5
 - **Saneo BS, Saneo CS:** fig. **5**, página 6
 - **Saneo BW, Saneo CW:** fig. **5**, página 6
 - **Saneo BLP, Saneo CLP:** fig. **6**, página 7
 - **Medidas de fresado:** fig. **7**, página 8
 - **Taladros:** fig. **8**, página 9
 - **Radios:** fig. **9**, página 10



NOTA

- En las plantillas para medidas de fresado, taladros y radios, tenga en cuenta el punto de simetría del inodoro (fig. **7** A, página 8, fig. **8** A, página 9, fig. **9** A, página 10)
- Si monta el inodoro en una ducha, el fabricante recomienda conectar el inodoro a la base de la ducha.

5.4 Instalar los inodoros Saneo B y Saneo C

Los modelos autónomos Saneo B y Saneo C no disponen de cisterna integrada. Instale el modelo de forma que la pared que se encuentra detrás pueda alojar la unidad de mando del inodoro, las conexiones eléctricas y, dado el caso, una cisterna. Lo ideal sería colocar un cajón delante de la pared (fig. **10**, página 11).



NOTA

fig. **10**, página 11 y fig. **11**, página 11 muestran un montaje en una base de ducha a modo de ejemplo.

Asegúrese de que el cassette sobresale 112 mm de su carcasa (fig. **11**, página 11).

- ▶ Coloque el suelo de la carcasa (fig. **11** 1, página 11) alineado con el marco de montaje del portón de servicio (fig. **11** 2, página 11) de forma que la transición sea limpia sin separación.

Fijar los inodoros Saneó B y Saneó C

- ▶ Coloque el inodoro en la posición deseada.
- ▶ Atornille la tapa de la base con cuatro tornillos (fig. **12** 2, página 12).
- ▶ Coloque las tapas (fig. **12** 1, página 12).
- ▶ A continuación, atornille la carcasa del inodoro (con un máximo de 4 tornillos, no adjuntos) a la pared (fig. **13**, página 12).



NOTA

Plantilla 1:1 disponible en el fabricante.

- ▶ Introduzca el cassette móvil del depósito (fig. **19**, página 15).

Montaje del panel de control y de mando de los inodoros Saneó B y Saneó C

Monte el panel de control y de mando en un lugar bien accesible en la pared en las proximidades del inodoro.

- ▶ Practique una abertura en la pared con la plantilla con las medidas adecuadas (fig. **14**, página 13) para el panel de control y de mando.
- ▶ Conecte los cables eléctricos a los empalmes para montar el panel de control y de mando (capítulo “Conexión eléctrica” en la página 69).



¡ATENCIÓN!

¡Existe peligro de lesiones por resortes que saltan hacia atrás!

- ▶ Presione los resortes de retención del panel de control y de mando e introdúzcalo en la abertura de la pared (fig. **15**, página 14).

5.5 Instalar los inodoros Saneo BW, Saneo CW, Saneo BS, Saneo CS, Saneo BLP y Saneo CLP

Estos modelos tienen una consola de fijación mural. El panel de control y de mando está integrado en la consola de fijación mural.

Los modelos Saneo BW y Saneo CW disponen de una cisterna empotrada, mientras que los modelos Saneo BS y Saneo CS no cuentan con cisterna.

Coloque todos los modelos con consola de fijación directamente en la pared (fig. 16, página 14). Utilice un soporte mural colocado previamente para fijar el inodoro y la consola.

- ▶ Atornille el soporte de pared horizontalmente a la siguiente altura (fig. 17, página 14):

Variante A:

Modelo	A	B	C	D
Saneo BW, Saneo BS	170 mm	96 mm	645 mm	652 mm
Saneo CW, Saneo CS	170 mm	96 mm	645 mm	652 mm
Saneo BLP, Saneo CLP	170 mm	96 mm	462 mm	469 mm

Variante B:

- **Saneo BW, Saneo BS:** h = 661 mm
 - **Saneo CW, Saneo CS:** h = 661 mm
 - **Saneo BLP, Saneo CLP:** h = 478 mm
- ▶ Coloque el módulo de inodoro completo en la posición que desee delante del soporte mural.
 - ▶ Levante el inodoro y enganche la carcasa en el soporte mural (fig. 18, página 15).
 - ▶ Atornille la tapa de la base con cuatro tornillos (fig. 12 2, página 12).
 - ▶ Coloque las tapas (fig. 12 1, página 12).
 - ▶ Introduzca el cassette móvil del depósito (fig. 19, página 15).

5.6 Conexión de agua



NOTA

En modelos Saneo xW con cisterna integrada, la conexión de agua se monta en el lugar de instalación.

- ▶ Conecte la alimentación de agua a través de una conexión de manguera lisa (fig. 20 1, página 16). El manguito de conexión no va incluido en el volumen de entrega.
- ▶ Realice una comprobación de hermeticidad.



¡AVISO!

La presión de servicio (presión del agua) de la electroválvula no puede superar 6 bares.

La electroválvula queda dañada en caso de una presión excesiva.

Verificar la capacidad en litros para el test de potencia de descarga de agua



NOTA

Suministro de agua (bomba instalada en el vehículo):

En el vehículo, el inodoro requiere al menos 7 litros por minuto en la salida de la conexión de manguera del inodoro para garantizar una potencia de descarga suficiente con al menos 5 l/min.

Hay dos variantes para verificar la capacidad en litros para el test de potencia de descarga de agua:

Variante 1:

- ▶ Separe la conexión de manguera del inodoro del conducto del vehículo.
- ▶ Cuelgue el extremo abierto del conducto en un cubo.
- ▶ Accione durante 1 min la descarga de agua mediante el panel de mando del inodoro.
- ▶ Mida la cantidad de agua que hay en el cubo.
La cantidad de agua medida se corresponde con el caudal de agua en l/min.

Variante 2:

- ▶ Separe la conexión de manguera del inodoro del conducto del vehículo.
- ▶ Conecte un contador de agua Gardena en el conducto de agua del inodoro.
- ▶ Accione la descarga de agua mediante el panel de mando del inodoro.
- ▶ Lea el caudal de agua en l/min en el contador de agua Gardena.

5.7 Montaje de la tapa del depósito

Con los modelos Saneó BW y Saneó CW, monte una tapa para el depósito integrado.

- ▶ Practique una abertura en la pared exterior con la plantilla (fig. **3** 1, página 4).
- ▶ Selle la tapa del depósito contra la entrada de agua (por ejemplo, con caucho butílico).
- ▶ Introduzca la tapa del depósito en el depósito.
- ▶ Atornille la tapa del depósito con cuatro tornillos de cabeza avellanada C4x25 (no incluidos en el volumen de entrega).
- ▶ Introduzca la junta tórica en el tubo interior de la tapa del depósito (fig. **24**, página 18):
 - **A:** Posición de la junta tórica con espesores de pared de entre 30 mm y 50 mm
 - **B:** Posición de la junta tórica con espesores de pared de entre 20,5 mm y 30 mm
- ▶ Engrase la junta tórica. De esta forma, la tubuladura de llenado se puede conectar bien con la parte superior del depósito.

6 Conexión eléctrica



¡ADVERTENCIA!

La conexión eléctrica debe ser realizada por personal especializado.



¡AVISO!

- No conecte el inodoro a la alimentación de tensión directamente en paralelo a otros aparatos.
- No conecte el control del inodoro a una bomba de agua a presión.
- La potencia nominal de una bomba de agua externa no puede superar los 100 W.



NOTA

- La bomba de agua externa no va incluida en el volumen de entrega.
- No se requiere un fusible previo porque el inodoro está protegido de forma interna.

Leyenda para fig. 25, página 19:

Pos.	Denominación
1	Saneamiento
2	Bomba de agua a presión
3	Interruptor
4	Caja de fusibles / conexiones principales
5	Alimentación de 12 V




La asignación de la unidad de mando Touch-Switch (fig. 26 A, página 20) y de la unidad de mando Tact-Switch (fig. 26 B, página 20) es como sigue:

Pos.	Denominación
1	Conexión de 5 polos para sensores Reed del depósito de cassette y microinterruptor del cassette
2	Solo Saneamiento BW, CW: Flotador de indicación de nivel de llenado de la cisterna
3	Jumper (solo unidad de mando Touch-Switch)
4	Solo Saneamiento B, C, BS, CS, BLP, CLP: Conexión de la válvula Solo Saneamiento BW, CW: Conexión para la bomba interna
5	Alimentación de 12 V
6	Fusible (10 A)

- Conecte el inodoro mediante el bloque de conexión principal del vehículo a una alimentación de tensión propia (fig. 25, página 19 y fig. 26 5, página 20). Para ello, use el cable correspondiente (fig. 27, página 20):

Pos./color del cable	Denominación
A	Saneamiento B, BS, BLP, C, CS, CLP (no usar en caso de emplear una bomba de agua a presión)
B	Saneamiento BW, CW
C	Saneamiento B, BS, BLP, C, CS, CLP con bomba de agua a presión (Australia)
D	Saneamiento BW, CW (Reino Unido)
ws	Cable blanco, masa (-)
rt	Cable rojo, entrada (+)
bl	Cable azul, salida (+) Línea de control para una bomba externa (no usar en caso de emplear una bomba de agua a presión)

7 Datos técnicos

	Dometic Saneó
Tensión de alimentación:	12 V $\overline{=}$
Consumo de corriente:	máx. 2 A en caso de bomba interna máx. 10 A en caso de bomba externa
Peso corporal de máx.:	150 kg
Dimensiones:	véanse fig. 4 , página 5 a fig. 9 , página 10
Temperatura de funcionamiento:	de 0 °C a +50 °C
Capacidad:	16 l (depósito de cassette) 7 l (depósito de agua limpia, opcional)
Marca de homologación:	   ECE R10



NOTA

Suministro de agua (bomba instalada en el vehículo):
En el vehículo, el inodoro requiere al menos 7 litros por minuto en la salida de la conexión de manguera del inodoro para garantizar una potencia de descarga suficiente con al menos 5 l/min.

Por favor, leia atentamente este manual antes da montagem e colocação em funcionamento do aparelho e guarde-o em local seguro. Em caso de transmissão do produto, entregue o manual ao novo utilizador.

Índice

1	Explicação dos símbolos	73
2	Indicações de segurança	73
2.1	Princípios básicos de segurança	74
2.2	Indicações de montagem	74
3	Utilização adequada	74
4	Descrição técnica	75
4.1	Descrição dos componentes	75
5	Instalar os sanitários	76
5.1	Instalar a porta de serviço	76
5.2	Criar recortes na parede	76
5.3	Colocação do sanitário	77
5.4	Colocação do sanitário Saneo B, Saneo C	77
5.5	Colocação dos sanitários Toilette Saneo BW, Saneo CW, Saneo BS, Saneo CS, Saneo BLP, Saneo CLP	79
5.6	Ligação da água	80
5.7	Instalação da portinhola do depósito	81
6	Ligação elétrica	81
7	Dados técnicos	84

1 Explicação dos símbolos

**AVISO!**

Indicação de segurança: o incumprimento pode provocar a morte ou ferimentos graves.

**PRECAUÇÃO!**

Indicação de segurança: o incumprimento pode provocar ferimentos.

**NOTA!**

O incumprimento pode causar danos materiais e pode prejudicar o funcionamento do produto.

**OBSERVAÇÃO**

Informações suplementares sobre a operação do produto.

2 Indicações de segurança

O fabricante não se responsabiliza por danos nos seguintes casos:

- Erros de montagem ou de conexão
- Danos no produto resultantes de influências mecânicas e sobretensões
- Alterações ao produto sem autorização expressa do fabricante
- Utilização para outras finalidades que não as descritas no manual de instruções

A declaração de conformidade pode ser solicitada ao fabricante (informações de contacto no verso).

2.1 Princípios básicos de segurança



AVISO!

- Este aparelho pode ser utilizado por crianças a partir dos 8 anos, assim como por pessoas com capacidades físicas, sensoriais ou mentais reduzidas ou com insuficiente experiência e conhecimento, quando supervisionadas ou quando tenham recebido informação acerca da utilização segura do aparelho e compreendam os perigos dele resultantes.
- A limpeza e a manutenção por parte do utilizador não podem ser efetuadas por crianças sem supervisão.
- As crianças devem ser supervisionadas para assegurar que não brincam com o aparelho.
- A montagem do sanitário apenas pode ser realizada por pessoal especializado devidamente formado.



- Todos os componentes do sistema têm de ser montados em ambientes sem gelo. Com temperaturas negativas, existe perigo de danos devido à ação do gelo.
- Não utilize anticongelante. Este tipo de produto pode danificar o sanitário de cassete.
- A pressão de operação (pressão da água) da válvula magnética não pode ultrapassar os 6 bar. A pressão excessiva danifica a válvula magnética.
- A instalação elétrica deve ser realizada de acordo com as prescrições nacionais e locais em vigor.
Na Europa: EN 1645-1, EN 1646-1, EN 1648-1, EN 1648-2.

2.2 Indicações de montagem

O sanitário tem de ser montado de modo a facilitar o bom acesso aos trabalhos de assistência, ser desmontado e montado com facilidade e removido do veículo sem grande esforço.

3 Utilização adequada

O sanitário foi concebido para a integração e a utilização em veículos de recreio, como caravanas ou autocaravanas.

4 Descrição técnica

O sanitário de cassete Saneo consiste num sanitário fixo instalado no veículo e uma caixa amovível e móvel, como depósito de águas residuais. A caixa é acessível por uma porta a partir de fora. Consoante o modelo, o sanitário obtém a água de um depósito integrado na carcaça ou de um depósito de água potável do veículo.

Estão disponíveis os seguintes modelos do sanitário:

- **Saneo B, Saneo C:** independente, sem depósito de água, sem consola
- **Saneo BS, Saneo CS:** independente, sem depósito de água, com consola
- **Saneo BW, Saneo CW:** independente, com depósito de água na consola
- **Saneo BLP, Saneo CLP:** independente, sem depósito de água, consola baixa


Os modelos Saneo C podem ser equipados com um autoclismo intervalado (opcional). A água é bombeada em impulsos curtos para a sanita para alcançar uma irrigação e limpeza melhoradas. A irrigação e a limpeza dependem da quantidade de água disponível no veículo.

4.1 Descrição dos componentes

Pos. na fig. 1, página 3	Designação
1	Carcaça para depósito da caixa
2	Patilha deslizante de esvaziamento de sanita
3	Sanita giratória, de plástico ou cerâmica
4	Tampo e assento, amovíveis
5	Consola
6	Painel de comando com indicação do nível de enchimento e auto-clismo
7	Apenas Saneo BW, CW: Depósito de água potável integrado
8	Apenas Saneo BW, CW: Portinhola do depósito
9	Depósito da caixa
10	Porta de serviço

5 Instalar os sanitários

5.1 Instalar a porta de serviço

A descrição da montagem da porta de serviço encontra-se disponível no documento anexado ( **Dometic Seitz SK 5**, opcional e em função do modelo).

5.2 Criar recortes na parede

Recorte de parede para a porta de serviço

- ▶ Faça uma abertura na parede externa com as seguintes dimensões (fig. **2**, página 3):
 - **A:** para porta de serviço SK5 vertical:
 - $y_{\text{mín}} = 12,5 \text{ mm}$, $y_{\text{máx}} = 22 \text{ mm}$
 - $l = 310 \text{ mm} \pm 1 \text{ mm}$
 - $a = 360 \text{ mm} \pm 1 \text{ mm}$
 - **B:** para porta de serviço SK5 horizontal:
 - $y_{\text{mín}} = 12,5 \text{ mm}$, $y_{\text{máx}} = 26 \text{ mm}$
 - $l = 360 \text{ mm} \pm 1 \text{ mm}$
 - $a = 310 \text{ mm} \pm 1 \text{ mm}$

A medida x resulta da colocação do sanitário. Tenha em consideração a posição da porta de serviço (molde **(3)** e **(4)** da embalagem).

Recorte de parede para portinhola de depósito

Instale uma portinhola do depósito para o depósito de água integrado nos modelos Saneos BW e Saneos CW.

- ▶ Faça com o molde (fig. **3** 1, página 4) uma abertura na parede externa. O molde está apresentado em escala reduzida nas instruções. Para consultar o original, ver embalagem.

A descrição da montagem da portinhola do depósito encontra-se no capítulo “Instalação da portinhola do depósito” na página 81.

5.3 Colocação do sanitário



NOTA!

Todos os componentes do sistema têm de ser montados em ambientes sem gelo. Com temperaturas negativas, existe perigo de danos devido à ação do gelo.

- Instale o sanitário em conformidade com a descrição do respetivo modelo.
- Coloque o sanitário sempre nivelado com uma parede vertical.
- Deixe uma distância mínima de 60 mm em relação às paredes laterais para que a inclinação da parte superior do sanitário (com assento) não seja limitada.
- Para a montagem, use os desenhos dimensionados e os moldes:
 - **Saneo B, Saneo C:** fig. **4**, página 5
 - **Saneo BS, Saneo CS:** fig. **5**, página 6
 - **Saneo BW, Saneo CW:** fig. **5**, página 6
 - **Saneo BLP, Saneo CLP:** fig. **6**, página 7
 - **Dimensões de fresagem:** fig. **7**, página 8
 - **Perfurações:** fig. **8**, página 9
 - **Raios:** fig. **9**, página 10



OBSERVAÇÃO

- Observe o ponto de simetria do sanitário nos moldes para as dimensões de fresagem, as perfurações e os raios (fig. **7** A, página 8, fig. **8** A, página 9, fig. **9** A, página 10)
- Ao instalar o sanitário numa casa de banho, o fabricante recomenda a ligação do sanitário ao chuveiro.

5.4 Colocação do sanitário Saneo B, Saneo C

Os modelos autónomos Saneo B e Saneo C não possuem um depósito de água integrado. Coloque este modelo de forma que a parede atrás possa incorporar o elemento de comando do sanitário, as ligações elétricas e, eventualmente, um depósito de água. O ideal será colocar uma caixa à frente da parede para este fim (fig. **10**, página 11).



OBSERVAÇÃO

A figura fig. **10**, página 11 e fig. **11**, página 11 mostra um exemplo da montagem num chuveiro.

Tenha em consideração que a caixa sobressai 112 mm da carcaça da caixa (fig. **11**, página 11).

- ▶ Una o fundo da carcaça (fig. **11** 1, página 11) à armação de montagem da porta de serviço (fig. **11** 2, página 11), alinhados, possibilitando uma transição limpa, sem fendas.

Fixação do sanitário Saneo B, Saneo C

- ▶ Coloque o sanitário na posição pretendida.
- ▶ Aparafuse a placa de base com quatro parafusos (fig. **12** 2, página 12).
- ▶ Coloque as tampas de proteção (fig. **12** 1, página 12).
- ▶ Depois, aparafuse a caixa do sanitário (com até 4 parafusos, não fornecidos) à parede (fig. **13**, página 12).



OBSERVAÇÃO

Molde com a dimensão em escala disponível no fabricante.

- ▶ Insira a caixa do depósito móvel (fig. **19**, página 15).

Montagem do painel de controlo e comando dos sanitários Saneo B, Saneo C

Instale o painel de controlo e comando em um local facilmente acessível na parede imediatamente junta ao sanitário.

- ▶ Faça uma abertura na parede para o painel de controlo e comando com um molde em escala (fig. **14**, página 13).
- ▶ Ligue os cabos elétricos dos acoplamentos para montar o painel de controlo e comando (capítulo “Ligação elétrica” na página 81).



PRECAUÇÃO!

Existe perigo de ferimento devido a molas, que podem retroceder!

- ▶ Pressione as molas de suporte do painel de controlo e de comando e deslize-o para o recorte de parede (fig. **15**, página 14).

5.5 Colocação dos sanitários Toilette Saneo BW, Saneo CW, Saneo BS, Saneo CS, Saneo BLP, Saneo CLP

Estes modelos têm uma consola de ligação à parede. O painel de controlo e comando está integrado na consola de ligação à parede.

Os modelos Saneo BW e Saneo CW dispõem de um depósito de água montado, enquanto os modelos Saneo BS e Saneo CS não possuem um depósito de água.

Coloque todos os modelos com consola de ligação à parede diretamente na parede (fig. 16, página 14). Para fixação do sanitário e da consola, existe um suporte de parede instalado anteriormente.

- Aperte o suporte de parede na posição horizontal na seguinte altura (fig. 17, página 14):

Variante A:

Modelo	A	B	C	D
Saneo BW, Saneo BS	170 mm	96 mm	645 mm	652 mm
Saneo CW, Saneo CS	170 mm	96 mm	645 mm	652 mm
Saneo BLP, Saneo CLP	170 mm	96 mm	462 mm	469 mm

Variante B:

- **Saneo BW, Saneo BS:** h = 661 mm
 - **Saneo CW, Saneo CS:** h = 661 mm
 - **Saneo BLP, Saneo CLP:** h = 478 mm
- Coloque o módulo do sanitário completo para a posição pretendida, à frente do suporte de parede.
 - Levante o sanitário e prenda a carcaça ao suporte de parede (fig. 18, página 15).
 - Aparafuse a placa de base com quatro parafusos (fig. 12 2, página 12).
 - Coloque as tampas de proteção (fig. 12 1, página 12).
 - Insira a caixa do depósito móvel (fig. 19, página 15).

5.6 Ligação da água



OBSERVAÇÃO

Nos modelos Saneamento xW com depósito de água integrado, a ligação de água está instalada de fábrica.

- ▶ Ligue o abastecimento de água através de uma entrada de tubo suave (fig. 20 1, página 16). A mangueira de ligação não faz parte do material fornecido.
- ▶ Realize uma verificação de estanqueidade.



NOTA!

A pressão de operação (pressão da água) da válvula magnética não pode ultrapassar os 6 bar.
A pressão excessiva danifica a válvula magnética.

Calibragem para o teste de fluxo



OBSERVAÇÃO

Abastecimento de água (bomba no veículo):
O sanitário precisa de um abastecimento - do veículo - de 7 l/min na entrada do tubo do sanitário para garantir um fluxo mínimo de 5 l/minuto.

Existem duas variantes para a calibragem para fins de teste de fluxo:

Variante 1:

- ▶ Desligue a ligação do tubo do sanitário da tubagem do veículo.
- ▶ Deixe a extremidade do tubo que está aberta num balde.
- ▶ Puxe o autoclismo durante 1 min através do elemento de comando do sanitário.
- ▶ Meça a quantidade de água que se encontra no balde.
A quantidade de água que se encontrar no balde corresponde ao fluxo de água em l/min.

Variante 2:

- ▶ Desligue a ligação do tubo do sanitário da tubagem do veículo.
- ▶ Lige um contador de água Gardena ao tubo de água do sanitário.
- ▶ Puxe o autoclismo através do elemento de comando do sanitário.
- ▶ Faça a leitura do fluxo em l/min no contador de água Gardena.

5.7 Instalação da portinhola do depósito

Instale uma portinhola do depósito para o depósito de água integrado nos modelos Saneo BW e Saneo CW.

- ▶ Faça com o molde (fig. **3** 1, página 4) uma abertura na parede externa.
- ▶ Impermeabilize a portinhola do depósito (por ex. com borracha butílica).
- ▶ Coloque a portinhola do depósito sobre o depósito.
- ▶ Aparafuse a portinhola do depósito com quatro parafusos de cabeça escareada C4x25 (não faz parte do material fornecido).
- ▶ Deslize o o-ring sobre o tubo interior da portinhola do depósito (fig. **24**, página 18):
 - **A:** Posição do o-ring em paredes com espessuras 30 mm – 50 mm
 - **B:** Posição do o-ring em paredes com espessuras 20,5 mm – 30 mm
- ▶ Lubrifique o o-ring. Assim, o bocal de enchimento pode ser facilmente ligado à parte superior do depósito.

6 Ligação elétrica



AVISO!

A ligação elétrica tem de ser realizada por pessoal especializado.



NOTA!

- Não ligar o sanitário diretamente, de forma paralela a outros consumidores, à alimentação de tensão.
- Não ligar o controle do sanitário a uma bomba de água de alta pressão.
- A potência nominal de uma bomba de água externa não pode ultrapassar 100 W.



OBSERVAÇÃO

- A bomba de água externa não está disponível no material fornecido.
- Não é necessário um disjuntor de entrada porque os sanitários estão protegidos internamente.

Legenda da fig. 25, página 19:

Pos.	Designação
1	Saneo
2	Bomba de água
3	Interruptor
4	Caixa de fusíveis/terminais principais
5	Alimentação de 12 V




A ocupação do comando Touch-Switch (fig. 26 A, página 20) e do comando Tact-Switch (fig. 26 B, página 20) é a seguinte:

Pos.	Designação
1	Conexão de 5 pinos para sensores Reed Depósito da caixa e microinterruptor da caixa
2	Apenas Saneo BW, CW: Indicação do nível de enchimento do flutuador Depósito de água
3	Jumper (somente o elemento de comando Touch-Switch)
4	Apenas Saneo B, C, BS, CS, BLP, CLP: Conexão da válvula Apenas Saneo BW, CW: Conexão da bomba interna
5	Alimentação de 12 V
6	Fusível (10 A)

- Ligue o sanitário através do bloco de terminais principal do veículo a uma alimentação de tensão própria (fig. 25, página 19 e fig. 26 5, página 20). Para tal, utilize o cabo correspondente (fig. 27, página 20):

Pos./Cor do cabo	Designação
A	Saneio B, BS, BLP, C, CS, CLP (não utilizar aquando da utilização de uma bomba de água de alta pressão)
B	Saneio BW, CW
C	Saneio B, BS, BLP, C, CS, CLP com bomba de água de alta pressão (Austrália)
D	Saneio BW, CW (UK)
ws	Cabo branco, terra (-)
rt	Cabo vermelho, entrada (+)
bl	Cabo azul, saída (+) Cabo de comando para bomba externa (não utilizar aquando da utilização de uma bomba de água de alta pressão)

7 Dados técnicos

	Dometic Saneo
Tensão de alimentação:	12 V $\overline{=}$
Consumo de corrente:	máx. 2 com bomba interna máx. 10 A com bomba externa
Peso máximo da pessoa:	150 kg
Dimensões:	ver fig. 4 , página 5 até fig. 9 , página 10
Temperatura de funcionamento:	0 °C até +50 °C
Capacidade:	16 l (depósito da caixa) 7 l (depósito de água potável, opcional)
Marcação:	   ECE R10



OBSERVAÇÃO

Abastecimento de água (bomba no veículo):

O sanitário precisa de um abastecimento – do veículo – de 7 l/min na entrada do tubo do sanitário para garantir um fluxo mínimo de 5 l/minuto.

Prima di effettuare il montaggio e la messa in funzione leggere accuratamente questo manuale di istruzioni, conservarlo e in caso di trasmissione del prodotto, consegnarlo all'utente successivo.

Indice

1	Spiegazione dei simboli	86
2	Indicazioni di sicurezza	86
2.1	Sicurezza di base	86
2.2	Indicazioni di montaggio	87
3	Conformità d'uso	87
4	Descrizione tecnica	87
4.1	Descrizione dei componenti	88
5	Montaggio della toilette	89
5.1	Montaggio della porta di servizio	89
5.2	Applicazione delle aperture sulla parete	89
5.3	Montaggio della toilette	90
5.4	Installazione toilette Saneo B, Saneo C	91
5.5	Montaggio toilette Saneo BW, Saneo CW, Saneo BS, Saneo CS, Saneo BLP, Saneo CLP	92
5.6	Allacciamento dell'acqua	93
5.7	Montaggio dello sportellino del serbatoio	94
6	Allacciamento elettrico	95
7	Specifiche tecniche	97

1 Spiegazione dei simboli

**AVVERTENZA!**

Avviso di sicurezza: la mancata osservanza di questo avviso può causare ferite gravi anche mortali.

**ATTENZIONE!**

Avviso di sicurezza: la mancata osservanza di questo avviso può essere causa di lesioni.

**AVVISO!**

La mancata osservanza di questa nota può causare danni materiali e compromettere il funzionamento del prodotto.

**NOTA**

Informazioni integranti relative all'impiego del prodotto.

2 Indicazioni di sicurezza

Il produttore non si assume nessuna responsabilità per danni nei seguenti casi:

- errori di montaggio o di allacciamento
- danni al prodotto dovuti a influenze meccaniche o a sovratensioni
- modifiche al prodotto senza esplicita autorizzazione del produttore
- impiego per altri fini rispetto a quelli descritti nel manuale di istruzioni

È possibile richiedere la dichiarazione di conformità al produttore (informazioni di contatto sul retro).

2.1 Sicurezza di base

**AVVERTENZA!**

- Il presente dispositivo può essere usato sia da bambini dagli 8 anni in su, sia da persone con ridotte capacità fisiche, sensoriali o mentali o con poca esperienza o conoscenze, se non lasciati soli o se istruiti sull'utilizzo sicuro dell'apparecchio e in grado di capire i pericoli che possono sorgere.
- La pulizia e la manutenzione da parte dell'utente non possono essere compiute da bambini lasciati soli.

- Controllare che i bambini non giochino con l'apparecchio.
- L'installazione della toilette può essere eseguita solo da personale specializzato e addestrato!



- Tutti i componenti del sistema devono essere montati in zone non esposte al gelo. In caso di temperature sotto allo zero esiste il pericolo che il ghiaccio danneggi i componenti.
- Non usare antigelo, perché potrebbe danneggiare il WC a cassetta.
- La pressione di funzionamento (pressione dell'acqua) della valvola magnetica non deve superare i 6 bar. La valvola magnetica si danneggia con la pressione aumentata.
- L'installazione elettrica deve essere eseguita in base alle prescrizioni nazionali e locali.
In Europa: EN 1645-1, EN 1646-1, EN 1648-1, EN 1648-2.

2.2 Indicazioni di montaggio

La toilette deve essere montata in modo tale da essere accessibile per i lavori di assistenza e deve poter essere installata e disinstallata facilmente dal veicolo senza eccessivo lavoro.

3 Conformità d'uso

La toilette è studiata per l'installazione e l'utilizzo in veicoli da diporto come camper e caravan.

4 Descrizione tecnica

Il WC a cassetta Saneo è composto di una toilette fissata nel veicolo e di una cassetta come serbatoio di scarico estraibile e trasportabile. La cassetta è accessibile dall'esterno attraverso una porta. In base al modello, la toilette riceve l'acqua per lo scarico da un serbatoio integrato nell'alloggiamento o dal serbatoio di acqua dolce del veicolo.

Esistono i seguenti modelli della toilette:

- **Saneo B, Saneo C:** autonomo, senza serbatoio dell'acqua, senza console
- **Saneo BS, Saneo CS:** autonomo, senza serbatoio dell'acqua, con console
- **Saneo BW, Saneo CW:** autonomo, con serbatoio dell'acqua nella console
- **Saneo BLP, Saneo CLP:** autonomo, senza serbatoio dell'acqua, console bassa

I modelli Saneo C possono essere dotati di uno scarico a intervalli (opzionale). L'acqua viene pompata in piccole dosi nella tazza del WC per ottenere un'irrorazione migliore e una pulizia migliore. L'irrorazione e la pulizia dipendono dalla quantità di acqua messa a disposizione nel veicolo.

4.1 Descrizione dei componenti

Pos. in fig. 1 , pagina 3	Denominazione
1	Alloggiamento per il serbatoio a cassetta
2	Separatore per lo svuotamento della tazza del WC
3	Tazza del WC ruotabile, in plastica o ceramica
4	Coperchio e cerchio, smontabili
5	Console
6	Pannello di comando con spia del livello di riempimento e scarico
7	Solo Saneo BW, CW: Serbatoio di acqua dolce integrato
8	Solo Saneo BW, CW: Sportellino del serbatoio
9	Serbatoio a cassetta
10	Porta di servizio

5 Montaggio della toilette

5.1 Montaggio della porta di servizio

La descrizione per il montaggio della porta di servizio è reperibile nel documento allegato ( **Dometic Seitz SK 5**, opzionale e in base al modello).

5.2 Applicazione delle aperture sulla parete

Apertura sulla parete per porta di servizio

- ▶ Creare un'apertura nella parete esterna con le seguenti misure (fig. **2**, pagina 3):
 - **A:** per la porta di servizio SK5 verticale:
 - $y_{\min} = 12,5 \text{ mm}$, $y_{\max} = 22 \text{ mm}$
 - $b = 310 \text{ mm} \pm 1 \text{ mm}$
 - $h = 360 \text{ mm} \pm 1 \text{ mm}$
 - **B:** per la porta di servizio SK5 orizzontale:
 - $y_{\min} = 12,5 \text{ mm}$, $y_{\max} = 26 \text{ mm}$
 - $b = 360 \text{ mm} \pm 1 \text{ mm}$
 - $h = 310 \text{ mm} \pm 1 \text{ mm}$

La misura x si ottiene con il posizionamento della toilette. Osservare la posizione della porta di servizio (dima **(3)** e **(4)** sulla confezione).

Apertura sulla parete sportellino del serbatoio

Montare per i modelli Saneo BW e Saneo CW uno sportellino per il serbatoio dell'acqua integrato.

- ▶ Con la dima (fig. **3** 1, pagina 4) creare un'apertura nella parete esterna. La dima nel manuale di istruzioni è notevolmente ridotta. Per l'originale vedere la confezione.

La descrizione per il montaggio dello sportellino del serbatoio è reperibile nel capitolo "Montaggio dello sportellino del serbatoio" a pagina 94.

5.3 Montaggio della toilette



AVVISO!

Tutti i componenti del sistema devono essere montati in zone non esposte al gelo. In caso di temperature sotto allo zero esiste il pericolo che il ghiaccio danneggi i componenti.

- Montare la toilette secondo la descrizione del relativo modello.
- Posizionare la toilette solo a contatto con una parete verticale.
- Lasciare almeno 60 mm di spazio dalle pareti laterali affinché l'orientamento della parte superiore della toilette (con la seduta) non venga limitato.
- Per il montaggio utilizzare gli schizzi quotati e le dime:
 - **Saneo B, Saneo C:** fig. **4**, pagina 5
 - **Saneo BS, Saneo CS:** fig. **5**, pagina 6
 - **Saneo BW, Saneo CW:** fig. **5**, pagina 6
 - **Saneo BLP, Saneo CLP:** fig. **6**, pagina 7
 - **Dimensioni fresatura:** fig. **7**, pagina 8
 - **Fori:** fig. **8**, pagina 9
 - **Raggi:** fig. **9**, pagina 10



NOTA

- Osservare nelle dime per le dimensioni della fresatura, i fori e i raggi, il punto simmetrico della toilette (fig. **7** A, pagina 8, fig. **8** A, pagina 9, fig. **9** A, pagina 10).
- Nel caso dell'installazione della toilette in un angolo bagno, il produttore consiglia di collegare la toilette alla vasca della doccia.

5.4 Installazione toilette Saneo B, Saneo C

Il modello autonomo Saneo B, Saneo C non possiede un serbatoio dell'acqua integrato. Installare questo modello in modo tale che la parete retrostante possa ospitare l'elemento di comando della toilette, i collegamenti elettrici ed eventualmente un serbatoio dell'acqua. L'ideale è di posizionare una cassa davanti alla parete (fig. 10, pagina 11).

**NOTA**

fig. 10, pagina 11 e fig. 11, pagina 11 mostrano l'esempio di installazione nella vasca di una doccia.

Osservare che la cassetta sporge di 112 mm dall'alloggiamento (fig. 11, pagina 11).

- Posizionare il fondo dell'alloggiamento (fig. 11 1, pagina 11) a contatto con il telaio di montaggio della porta di servizio (fig. 11 2, pagina 11) in modo tale che non si formi una fessura.

Fissaggio toilette Saneo B, Saneo C

- Mettere la toilette nella posizione desiderata.
- Serrare la piastra di fondo con quattro viti (fig. 12 2, pagina 12).
- Posizionare i cappucci di protezione (fig. 12 1, pagina 12).
- Serrare quindi l'alloggiamento della toilette (con massimo 4 viti, non in dotazione) alla parete (fig. 13, pagina 12).

**NOTA**

Dima 1:1 disponibile presso il produttore.

- Inserire la cassetta del serbatoio (fig. 19, pagina 15).

Montaggio dell'unità di controllo e di comando della toilette Saneo B, Saneo C

Installare l'unità di controllo e di comando nella parete in prossimità della toilette in una posizione facilmente raggiungibile.

- Creare un'apertura nella parete per l'unità di controllo e di comando con la dima in scala (fig. 14, pagina 13).
- Collegare il cavo elettrico agli innesti per l'installazione dell'unità di controllo e di comando (capitolo "Allacciamento elettrico" a pagina 95).

**ATTENZIONE!**

Esiste il pericolo di lesioni per molle di rimbalzo!

- Premere i supporti a griffe dell'unità di controllo e di comando e spingere l'unità nell'apertura della parete (fig. **15**, pagina 14).

5.5 Montaggio toilette Saneo BW, Saneo CW, Saneo BS, Saneo CS, Saneo BLP, Saneo CLP

Questi modelli hanno una console dei collegamenti nella parete. L'unità di controllo e di comando è integrata nella console dei collegamenti nella parete.

I modelli Saneo BW e Saneo CW dispongono di un serbatoio dell'acqua integrato, mentre i modelli Saneo BS e Saneo CS no.

Posizionare tutti i modelli con la console dei collegamenti direttamente nella parete dell'abitacolo (fig. **16**, pagina 14). Per il fissaggio della toilette e della console serve un supporto da parete precedentemente montato.

- Avvitare il supporto da parete in orizzontale alla seguente altezza (fig. **17**, pagina 14):

Variante A:

Modello	A	B	C	D
Saneo BW, Saneo BS	170 mm	96 mm	645 mm	652 mm
Saneo CW, Saneo CS	170 mm	96 mm	645 mm	652 mm
Saneo BLP, Saneo CLP	170 mm	96 mm	462 mm	469 mm

Variante B:

- **Saneo BW, Saneo BS:** h = 661 mm
 - **Saneo CW, Saneo CS:** h = 661 mm
 - **Saneo BLP, Saneo CLP:** h = 478 mm
- Portare l'intero modulo della toilette nella posizione desiderata davanti al supporto da parete.
 - Sollevare la toilette e appendere l'alloggiamento al supporto da parete (fig. **18**, pagina 15).
 - Serrare la piastra di fondo con quattro viti (fig. **12** 2, pagina 12).
 - Posizionare i cappucci di protezione (fig. **12** 1, pagina 12).
 - Inserire la cassetta del serbatoio (fig. **19**, pagina 15).

5.6 Allacciamento dell'acqua



NOTA

Nei modelli Saneo xW con serbatoio dell'acqua integrato, l'allacciamento dell'acqua è montato in fabbrica.

- ▶ Collegare l'alimentazione di acqua tramite un tubo flessibile liscio (fig. 20 1, pagina 16). Il raccordo non è fornito in dotazione.
- ▶ Eseguire un controllo della tenuta.



AVVISO!

La pressione di funzionamento (pressione dell'acqua) della valvola magnetica non deve superare i 6 bar.
La valvola magnetica si danneggia con la pressione aumentata.

Dosaggio per il test di scarico



NOTA

Approvvigionamento di acqua (pompa del veicolo):
La toilette necessita dal veicolo almeno di 7 l/min. di acqua sull'uscita del raccordo del flessibile della toilette per poter garantire uno scarico sufficiente con almeno 5 l/min.

Per effettuare il dosaggio per il test di scarico esistono due varianti:

Variante 1:

- ▶ Scollegare il raccordo del tubo flessibile della toilette dal tubo nel veicolo.
- ▶ Mettere l'estremità aperta del tubo in un secchio.
- ▶ Attivare lo scarico per 1 minuto attraverso l'apposito elemento di comando nella toilette.
- ▶ Misurare la quantità di acqua che si trova nel secchio.
La quantità di acqua che si trova nel secchio corrisponde al flusso di acqua in l/min.

Variante 2:

- Scollegare il raccordo del tubo flessibile della toilette dal tubo nel veicolo.
- Collegare un contatore dell'acqua Gardena all'alimentazione di acqua della toilette.
- Attivare lo scarico attraverso l'apposito elemento di comando nella toilette.
- Leggere il flusso di acqua in l/min. sul contatore dell'acqua Gardena.

5.7 Montaggio dello sportellino del serbatoio

Montare per i modelli Saneo BW e Saneo CW uno sportellino per il serbatoio dell'acqua integrato.

- Con la dima (fig. **3** 1, pagina 4) creare un'apertura nella parete esterna.
- Isolare a tenuta stagna lo sportellino del serbatoio (ad es. con gomma butile).
- Posizionare lo sportellino sul serbatoio.
- Serrare lo sportellino del serbatoio con quattro viti a testa svasata C4x25 (non in dotazione).
- Inserire l'O-ring sul tubo interno dello sportellino del serbatoio (fig. **24**, pagina 18):
 - **A:** Posizione dell'O-ring per pareti con spessore da 30 mm a 50 mm
 - **B:** Posizione dell'O-ring per pareti con spessore da 20,5 mm a 30 mm
- Ingrassare l'O-ring. In questo modo, il bocchettone di riempimento si collega facilmente con la parte alta del serbatoio.

6 Allacciamento elettrico



AVVERTENZA!

L'allacciamento elettrico deve essere eseguito da personale specializzato.



AVVISO!

- Non allacciare la toilette direttamente alla tensione di alimentazione in parallelo con altre utenze.
- Non collegare il comando della toilette a una pompa idraulica a pressione.
- La potenza nominale di una pompa dell'acqua esterna non deve superare 100 W.



NOTA

- La pompa dell'acqua esterna non è fornita in dotazione.
- Non è necessario installare un fusibile, perché la toilette ne possiede già uno internamente.

Legenda per fig. **25**, pagina 19:

Pos.	Denominazione
1	Saneo
2	Pompa dell'acqua
3	Interruttore
4	Scatola dei fusibili/collegamenti principali
5	Tensione di 12 V




L'assegnazione dell'elemento di comando Touch-Switch (fig. 26 A, pagina 20) e dell'elemento di comando Tact-Switch (fig. 26 B, pagina 20) è la seguente:

Pos.	Denominazione
1	Collegamento a 5 poli per sensori reed serbatoio a cassetta e microinterruttore cassetta
2	Solo Saneo BW, CW: Galleggiante indicazione del livello serbatoio dell'acqua
3	Ponticello (solo elemento di comando Touch-Switch)
4	Solo Saneo B, C, BS, CS, BLP, CLP: Collegamento valvola Solo Saneo BW, CW: Collegamento pompa interna
5	Tensione di 12 V
6	Fusibile (10 A)

- Allacciare la toilette a una tensione di alimentazione propria, tramite il blocco di allacciamento principale del veicolo (fig. 25, pagina 19 e fig. 26 5, pagina 20). Utilizzare a tal fine il cavo corrispondente (fig. 27, pagina 20):

Pos./colore cavo	Denominazione
A	Saneo B, BS, BLP, C, CS, CLP (non utilizzare in caso di impiego di un pompa idraulica a pressione)
B	Saneo BW, CW
C	Saneo B, BS, BLP, C, CS, CLP con pompa idraulica a pressione (Australia)
D	Saneo BW, CW (UK)
ws	cavo bianco, massa (-)
rt	cavo rosso, ingresso (+)
bl	cavo blu, uscita (+) cavo di comando per una pompa esterna (non utilizzare in caso di impiego di un pompa idraulica a pressione)

7 Specifiche tecniche

	Dometic Saneo
Tensione di alimentazione:	12 V $\overline{=}$
Corrente assorbita:	max 2 A con pompa interna max 10 A con pompa esterna
Peso massimo della persona:	150 kg
Dimensioni:	vedi fig. 4 , pagina 5 a fig. 9 , pagina 10
Temperatura di esercizio:	da 0 °C a +50 °C
Capacità:	16 l (serbatoio a cassetta) 7 l (serbatoio di acqua dolce, opzionale)
Marchio di collaudo:	   ECE R 10



NOTA

Approvvigionamento di acqua (pompa del veicolo):

La toilette necessita dal veicolo almeno di 7 l/min. di acqua sull'uscita del raccordo del flessibile della toilette per poter garantire uno scarico sufficiente con almeno 5 l/min.

Lees deze handleiding voor de montage en de ingebruikname zorgvuldig door en bewaar hem. Geef de handleiding bij het doorgeven van het product aan de gebruiker.

Inhoudsopgave

1	Verklaring van de symbolen	99
2	Veiligheidsinstructies	99
2.1	Algemene veiligheid	100
2.2	Montage-instructies	100
3	Reglementair gebruik	100
4	Technische beschrijving	101
4.1	Beschrijving van de componenten	101
5	Toilet monteren	102
5.1	Service deur monteren	102
5.2	Wanduitsparingen maken	102
5.3	Toilet opstellen	103
5.4	Toilet Saneo B, Saneo C opstellen	104
5.5	Toilet Saneo BW, Saneo CW, Saneo BS, Saneo CS, Saneo BLP, Saneo CLP opstellen	105
5.6	Wateraansluiting	106
5.7	Montage van de tankklep	107
6	Elektrische aansluiting	108
7	Technische gegevens	110

1 Verklaring van de symbolen

**WAARSCHUWING!**

Veiligheidsaanwijzing: Het niet naleven kan leiden tot overlijden of ernstig letsel.

**VOORZICHTIG!**

Veiligheidsaanwijzing: Het niet naleven kan leiden tot letsel.

**LET OP!**

Het niet naleven ervan kan leiden tot materiële schade en de werking van het product beperken.

**INSTRUCTIE**

Aanvullende informatie voor het bedienen van het product.

2 Veiligheidsinstructies

De fabrikant kan in de volgende gevallen niet aansprakelijk worden gesteld voor schade:

- montage- of aansluitfouten
- beschadiging van het product door mechanische invloeden en overspanningen
- veranderingen aan het product zonder uitdrukkelijke toestemming van de fabrikant
- gebruik voor andere dan de in de handleiding beschreven toepassingen

De verklaring van overeenstemming kan bij de fabrikant worden opgevraagd (contactgegevens, zie achterzijde).

2.1 Algemene veiligheid



WAARSCHUWING!

- Dit toestel kan door kinderen vanaf 8 jaar en ouder evenals door personen met verminderde fysieke, zintuiglijke of geestelijke vermogens of tekortschietende ervaring en kennis gebruikt worden, als ze worden begeleid of hun is uitgelegd hoe ze het toestel veilig kunnen gebruiken. Ook dienen ze inzicht te hebben in de gevaren die het gebruik van het toestel met zich meebrengt.
- Reiniging en onderhoud mogen niet door kinderen zonder begeleiding worden uitgevoerd.
- Er moet toezicht worden gehouden op kinderen om te voorkomen dat ze met het toestel spelen.
- Het toilet mag uitsluitend door geschoold personeel worden gemonteerd.



- Alle componenten van het systeem moeten in vorstvrije omgeving worden gemonteerd. Bij temperaturen onder nul bestaat er gevaar voor beschadiging door vorst.
- Gebruik geen antivriesmiddelen. Deze middelen kunnen het cassette-toilet beschadigen.
- De bedrijfsdruk (waterdruk) van het magneetventiel mag niet meer dan 6 bar bedragen. De magneetklep raakt door een te hoge druk beschadigd.
- De elektrische installatie moet volgens de nationale en plaatselijke voorschriften worden uitgevoerd.
In Europa: EN 1645-1, EN 1646-1, EN 1648-1, EN 1648-2.

2.2 Montage-instructies

Het toilet moet principieel zodanig gemonteerd worden dat het voor onderhoud goed toegankelijk is, eenvoudig kan worden gemonteerd en gedemonteerd en zonder veel moeite uit het voertuig kan worden genomen.

3 Reglementair gebruik

Dit toilet is bestemd voor de inbouw en het gebruik in vrijetijdsvoertuigen, zoals caravans of campers.

4 Technische beschrijving

Het cassettetoilet Saneo bestaat uit een in het voertuig geïnstalleerd toilet en een uitneembare, verrijdbare cassette als vuilwatertank. De cassette is vanaf buiten door een deur bereikbaar. Afhankelijk van het model krijgt het toilet het spoelwater uit een in de behuizing geïntegreerde tank of uit de verswatertank van het voertuig.

Het toilet is beschikbaar in de volgende uitvoeringen:

- **Saneo B, Saneo C:** vrijstaand, zonder watertank, zonder console
- **Saneo BS, Saneo CS:** vrijstaand, zonder watertank, met console
- **Saneo BW, Saneo CW:** vrijstaand, met watertank in de console
- **Saneo BLP, Saneo CLP:** vrijstaand, zonder watertank, lage console


Saneo C-modellen kunnen voorzien zijn van een intervalspoeling (optioneel). Hierbij wordt water met korte stoten in de toiletpot gepompt om een verbeterde spoeling en reiniging te bereiken. De spoeling en reiniging zijn afhankelijk van de ter beschikking gestelde waterhoeveelheid in het voertuig.

4.1 Beschrijving van de componenten

Pos. in afb. 1 , pagina 3	Omschrijving
1	Behuizing voor cassettetank
2	Afvoerschuij voor de toiletpot
3	Toiletpot draaibaar, kunststof of keramiek
4	Deksel en bril, afneembaar
5	Console
6	Bedieningspaneel met vulstandindicatie en spoeling
7	Alleen Saneo BW, CW: geïntegreerde verswatertank
8	Alleen Saneo BW, CW: tankklep
9	Cassettetank
10	Servicedeur

5 Toilet monteren

5.1 Servicedeur monteren

De beschrijving voor de montage van de servicedeur vindt u in het bijgevoegde document ( **Dometic Seitz SK 5**, optioneel en afhankelijk van het model).

5.2 Wanduitsparingen maken

Wanduitsparing servicedeur

- ▶ Breng een opening in de buitenwand aan met de volgende afmetingen (afb. **2**, pagina 3):
 - **A:** voor servicedeur SK5 verticaal:
 - $y_{\min} = 12,5 \text{ mm}$, $y_{\max} = 22 \text{ mm}$
 - $b = 310 \text{ mm} \pm 1 \text{ mm}$
 - $h = 360 \text{ mm} \pm 1 \text{ mm}$
 - **B:** voor servicedeur SK5 horizontaal:
 - $y_{\min} = 12,5 \text{ mm}$, $y_{\max} = 26 \text{ mm}$
 - $b = 360 \text{ mm} \pm 1 \text{ mm}$
 - $h = 310 \text{ mm} \pm 1 \text{ mm}$

De afmeting x ontstaat door de opstelling van het toilet. Let hierbij op de positie van de servicedeur (sjabloon **(3)** en **(4)** op de verpakking).

Wanduitsparing tankklep

Monteer bij de modellen Saneo BW en Saneo CW een tankklep voor de geïntegreerde watertank.

- ▶ Maak met de sjabloon (afb. **3** 1, pagina 4) een opening in de buitenwand. De sjabloon in de handleiding is sterk verkleind. Origineel, zie verpakking.

De montagebeschrijving van de tankklep vindt u in hoofdstuk „Montage van de tankklep” op pagina 107.

5.3 Toilet opstellen



LET OP!

Alle componenten van het systeem moeten in vorstvrije omgeving worden gemonteerd. Bij temperaturen onder nul bestaat er gevaar voor beschadiging door vorst.

- Monteer het toilet overeenkomstig de beschrijving van de betreffende model-uitvoering.
- Stel het toilet alleen vlak tegen een verticale muur op.
- Laat minstens 60 mm ruimte tot wanden aan de zijkant, zodat het draaien van het bovenste toiletdeel (met zitting) niet beperkt wordt.
- Gebruik de maattekeningen en sjablonen voor de montage:
 - **Saneo B, Saneo C:** afb. **4**, pagina 5
 - **Saneo BS, Saneo CS:** afb. **5**, pagina 6
 - **Saneo BW, Saneo CW:** afb. **5**, pagina 6
 - **Saneo BLP, Saneo CLP:** afb. **6**, pagina 7
 - **Freesmaten:** afb. **7**, pagina 8
 - **Boorgaten:** afb. **8**, pagina 9
 - **Radiussen:** afb. **9**, pagina 10



INSTRUCTIE

- Let bij de sjablonen voor freesmaten, boorgaten en radiussen op het symmetriepunt van het toilet (afb. **7** A, pagina 8, afb. **8** A, pagina 9, afb. **9** A, pagina 10).
- Bij de montage van het toilet in een natte cel raden we aan om het toilet met de douchecel te verbinden.

5.4 Toilet Saneo B, Saneo C opstellen

Het vrijstaande model Saneo B, Saneo C heeft geen geïntegreerde watertank. Stel dit model zo op dat de erachter liggende wand het bedieningselement van het toilet, de elektrische aansluitingen en eventueel een watertank kan opnemen. Het is hiervoor ideaal een kast voor de wand te plaatsen (afb. **10**, pagina 11).



INSTRUCTIE

afb. **10**, pagina 11 en afb. **11**, pagina 11 tonen een voorbeeldmontage in een doucheceel.

Houd er rekening mee dat de cassette 112 mm uit de cassettebehuizing steekt (afb. **11**, pagina 11).

- Plaats de behuizingsbodem (afb. **11** 1, pagina 11) vlak tegen het inbouwframe van de servicedeur (afb. **11** 2, pagina 11) zodat er een overgang zonder spleet ontstaat.

Toilet Saneo B, Saneo C bevestigen

- Plaats het toilet op de gewenste positie.
- Schroef de bodemplaat vast met vier schroeven (afb. **12** 2, pagina 12).
- Breng de afdekkappen aan (afb. **12** 1, pagina 12).
- Schroef daarna de toiletbehuizing (met maximaal 4 schroeven, niet meegeleverd) vast aan de wand (afb. **13**, pagina 12).



INSTRUCTIE

1:1-sjabloon verkrijgbaar bij de fabrikant.

- Schuif de vrijdgbare tankcassette in (afb. **19**, pagina 15).

Controle- en bedieningspaneel van het toilet Saneo B, Saneo C monteren

Monteer het controle- en bedieningspaneel op een goed bereikbare plaats in een wand in de directe omgeving van het toilet.

- Maak voor het controle- en bedieningspaneel met behulp van de sjabloon op schaal (afb. **14**, pagina 13) een opening in de wand.
- Verbind de elektrische kabels met de koppelingen voor de montage van het controle- en bedieningspaneel (hoofdstuk „Elektrische aansluiting“ op pagina 108).

**VOORZICHTIG!**

Er bestaat gevaar voor letsel door terugspringende veren!

- Druk de bevestigingsveren van het controle- en bedieningspaneel in en schuif het in de uitsparing in de wand (afb. **15**, pagina 14).

5.5 Toilet Saneo BW, Saneo CW, Saneo BS, Saneo CS, Saneo BLP, Saneo CLP opstellen

Deze modellen hebben een wandaansluitingsconsole. Het controle- en bedieningspaneel is in de wandaansluitingsconsole geïntegreerd.

De modellen Saneo BW en Saneo CW beschikken over een geïntegreerde watertank, terwijl de modellen Saneo BS en Saneo CS geen watertank bezitten.

Plaats alle modellen met wandaansluitingsconsole direct tegen de wand (afb. **16**, pagina 14). Voor de bevestiging van het toilet en de console dient een voordien aangebrachte wandhouder.

- Schroef de wandhouder horizontaal op de volgende hoogte vast (afb. **17**, pagina 14):

Variant A:

Model	A	B	C	D
Saneo BW, Saneo BS	170 mm	96 mm	645 mm	652 mm
Saneo CW, Saneo CS	170 mm	96 mm	645 mm	652 mm
Saneo BLP, Saneo CLP	170 mm	96 mm	462 mm	469 mm

Variant B:

- **Saneo BW, Saneo BS:** h = 661 mm
 - **Saneo CW, Saneo CS:** h = 661 mm
 - **Saneo BLP, Saneo CLP:** h = 478 mm
- Breng de complete toiletmodule in de gewenste positie voor de wandhouder.
 - Til het toilet op en haak de behuizing in de wandhouder (afb. **18**, pagina 15).
 - Schroef de bodemplaat vast met vier schroeven (afb. **12** 2, pagina 12).
 - Breng de afdekkappen aan (afb. **12** 1, pagina 12).
 - Schuif de verrijdbare tankcassette in (afb. **19**, pagina 15).

5.6 Wateraansluiting



INSTRUCTIE

Bij de modellen Saneo xW met geïntegreerde watertank is de wateraansluiting standaard gemonteerd.

- Sluit de watervoorziening aan via een gladde slangaansluiting (afb. 20 1, pagina 16). De aansluitingstule is niet bij de levering inbegrepen.
- Voer een lektest uit.



LET OP!

De bedrijfsdruk (waterdruk) van het magneetventiel mag niet meer dan 6 bar bedragen.

De magneetklep raakt door een te hoge druk beschadigd.

Inhoud meten voor de spoelcapaciteitstest



INSTRUCTIE

Watervoorziening (pomp aan voertuigzijde):

Het toilet heeft aan de voertuigzijde minstens 7 l/min aan de uitgang van de slangaansluiting van het toilet nodig om een voldoende spoelcapaciteit van minstens 5 l/min te garanderen.

Voor het meten van de inhoud voor de spoelcapaciteitstest zijn er twee varianten:

Variant 1:

- Scheid de slangverbinding van het toilet van de leiding aan voertuigzijde.
- Hang het open uiteinde van de leiding in een emmer.
- Bedien 1 minuut lang de spoeling via het bedieningselement.
- Meet de hoeveelheid water die zich in de emmer bevindt.
De hoeveelheid water die zich in de emmer bevindt, komt overeen met de waterdoorvoer in l/min.

Variante 2:

- Scheid de slangverbinding van het toilet van de leiding aan voertuigzijde.
- Sluit een Gardena-waterdebietmeter aan op de waterleiding van het toilet.
- Bedien de spoeling via het bedieningselement.
- Lees het waterdebiet in l/min af van de Gardena-waterdebietmeter.

5.7 Montage van de tankklep

Monteer bij de modellen Saneo BW en Saneo CW een tankklep voor de geïntegreerde watertank.

- Maak met de sjabloon (afb. **3** 1, pagina 4) een opening in de buitenwand.
- Dicht de tankklep waterdicht af (bijv. met butyleenkit).
- Plaats de tankklep op de tank.
- Schroef de tankklep vast met vier verzonken schroeven C4x25 (niet bij de levering inbegrepen).
- Schuif de O-ring op de binnenpijp van de tankklep (afb. **24**, pagina 18):
 - **A:** positie van de O-ring bij wanddiktes 30 mm – 50 mm
 - **B:** positie van de O-ring bij wanddiktes 20,5 mm – 30 mm
- Vet de O-ring in. Daardoor kan de vulaansluiting eenvoudig met het bovenste deel van de tank worden verbonden.

6 Elektrische aansluiting



WAARSCHUWING!

De elektrische aansluiting moet door geschoold personeel worden uitgevoerd.



LET OP!

- Toilet niet direct parallel met andere verbruikers op de spanningsvoorziening aansluiten.
- De besturing van het toilet niet op een drukwaterpomp aansluiten.
- Het nominale vermogen van een externe waterpomp mag niet meer dan 100 W bedragen.



INSTRUCTIE

- De externe waterpomp is niet bij de levering inbegrepen.
- Een verzekering is niet nodig omdat het toilet intern beveiligd is.

Legenda bij afb. **25**, pagina 19:

Pos.	Omschrijving
1	Saneo
2	Waterpomp
3	Schakelaar
4	Zekeringen-/hoofdaansluitkast
5	12 V-voeding



De bezetting van het Touch-Switch-bedieningselement (afb. 26 A, pagina 20) en het Tact-Switch-bedieningselement (afb. 26 B, pagina 20) is als volgt:

Pos.	Omschrijving
1	5-polige aansluiting voor Reed-sensoren cassetetank en microschakelaar cassette
2	Alleen Saneo BW, CW: Vulstandindicatie watertank d.m.v. vlotter
3	Jumper (alleen Touch-Switch-bedieningselement)
4	Alleen Saneo B, C, BS, CS, BLP, CLP: aansluiting klep Alleen Saneo BW, CW: aansluiting interne pomp
5	12 V-voeding
6	Zekering (10 A)

- Sluit het toilet via het hoofdaansluitblok van het voertuig aan op een eigen spanningsvoorziening (afb. 25, pagina 19 en afb. 26 5, pagina 20). Gebruik daarvoor de juiste kabel (afb. 27, pagina 20):

Pos./kabelkleur	Omschrijving
A	Saneo B, BS, BLP, C, CS, CLP (niet gebruiken bij toepassing van een drukwaterpomp)
B	Saneo BW, CW
C	Saneo B, BS, BLP, C, CS, CLP met drukwaterpomp (Australië)
D	Saneo BW, CW (UK)
ws	witte kabel, massa (-)
rt	rode kabel, ingang (+)
bl	blauwe kabel, uitgang (+) stuurkabel voor een externe pomp (niet gebruiken bij toepassing van een drukwaterpomp)

7 Technische gegevens

	Dometic Saneo
Voedingsspanning:	12 V $\overline{=}$
Stroomverbruik:	max. 2 A bij interne pomp max. 10 A bij externe pomp
Max. personengewicht:	150 kg
Afmetingen:	zie afb. 4 , pagina 5 tot afb. 9 , pagina 10
Bedrijfstemperatuur:	0 °C tot +50 °C
Inhoud:	16 l (cassettetank) 7 l (verswatertank, optioneel)
Keurmerk:	  NI ECE R 10



INSTRUCTIE

Watervoorziening (pomp aan voertuigzijde):

Het toilet heeft aan de voertuigzijde minstens 7 l/min aan de uitgang van de slangaansluiting van het toilet nodig om een voldoende spoelcapaciteit van minstens 5 l/min te garanderen.

Læs denne vejledning omhyggeligt igennem før installation og ibrugtagning, og opbevar den. Giv den til brugeren, hvis du giver produktet videre.

Indholdsfortegnelse

1	Forklaring af symbolerne	112
2	Sikkerhedshenvisninger	112
2.1	Grundlæggende sikkerhed	113
2.2	Installationshenvisninger	113
3	Korrekt brug	113
4	Teknisk beskrivelse	114
4.1	Beskrivelse af komponenterne	114
5	Montering af toilet	115
5.1	Montering af servicedør	115
5.2	Fremstilling af vægudsnit	115
5.3	Opstilling af toilet	116
5.4	Opstilling af toilettet Saneo B, Saneo C	116
5.5	Opstilling af toilettet Saneo BW, Saneo CW, Saneo BS, Saneo CS, Saneo BLP, Saneo CLP	117
5.6	Vandtilslutning	118
5.7	Installation af tankdækslet	119
6	Elektrisk tilslutning	120
7	Tekniske data	122

1 Forklaring af symbolerne

**ADVARSEL!**

Sikkerhedshenvisning: Manglende overholdelse kan medføre død eller alvorlig kvæstelse.

**FORSIGTIG!**

Sikkerhedshenvisning: Manglende overholdelse kan medføre kvæstelser.

**VIGTIGT!**

Manglende overholdelse kan medføre materielle skader og begrænse produktets funktion.

**BEMÆRK**

Supplerende informationer om betjening af produktet.

2 Sikkerhedshenvisninger

Producenten påtager sig intet ansvar for skader i følgende tilfælde:

- Monterings- eller tilslutningsfejl
- Beskadigelser på produktet på grund af mekanisk påvirkning og overspænding
- Ændringer på produktet uden udtrykkelig tilladelse fra producenten
- Anvendelse til andre formål end dem, der er beskrevet i vejledningen

Overensstemmelseserklæringen kan bestilles hos producenten (kontaktinformationer på bagsiden).

2.1 Grundlæggende sikkerhed



ADVARSEL!

- Dette apparat kan anvendes af børn over 8 år og derudover af personer med begrænsede fysiske, sanse- eller mentale evner eller uden erfaring eller viden, hvis de er under opsyn eller blev instrueret i sikker brug af apparatet og forstår farerne, der følger heraf.
- Rengøring og brugerens vedligeholdelse må ikke udføres af børn uden opsyn.
- Børn bør være under opsyn for at sikre, at de ikke leger med apparatet.
- Toilettet må kun installeres af uddannet fagpersonale.



- Alle systemets komponenter skal monteres i frostfrie områder. Ved minustemperaturer er der fare for beskadigelse på grund af frost.
- Anvend ikke frostbeskyttelsesmidler. Disse midler kan beskadige kassettoilettet.
- Magnetventilens driftstryk (vandtryk) må ikke overskride 6 bar. Magnetventilen beskadiges af forøget tryk.
- Den elektriske installation skal foretages i henhold til de nationale og lokale forskrifter.
I Europa: EN 1645-1, EN 1646-1, EN 1648-1, EN 1648-2.

2.2 Installationshenvisninger

Toilettet skal grundlæggende installeres, så der er nem adgang til servicearbejder, det let kan afmonteres og installeres og kan tages ud af køretøjet uden stort besvær.

3 Korrekt brug

Toilettet er beregnet til installation og anvendelse i fritidskøretøjer som f.eks. campingvogne og autocampere.

4 Teknisk beskrivelse

Kassettetoiletet Saneo består af et toilet, der er fast installeret i køretøjet, og en udtagelig kassette, der kan køres, som spildevandstank. Der er adgang til kassetten udefra gennem en dør. Afhængigt af modellen får toiletet skyllevandet fra en tank, der er integreret i huset, eller fra friskvandstanken på køretøjssiden.

Der findes følgende modeludførelser af toiletet:

- **Saneo B, Saneo C:** fritstående, uden vandtank, uden konsol
- **Saneo BS, Saneo CS:** fritstående, uden vandtank, med konsol
- **Saneo BW, Saneo CW:** fritstående, med vandtank i konsollen
- **Saneo BLP, Saneo CLP:** fritstående, uden vandtank, lav konsol


Saneo C-modeller kan være udstyret med en intervalskylning (option). I den forbindelse pumpes vandet ned i toiletkummen i korte stød for at opnå en forbedret fugtning ved skylningen og forbedret rengøring. Fugtningen og rengøringen afhænger af vandmængden, der står til rådighed i køretøjet.

4.1 Beskrivelse af komponenterne

Pos. på fig. 1, side 3	Betegnelse
1	Hus til kassettetank
2	Tømningsskyder til toiletkummen
3	Drejelig toiletkumme, kunststof eller keramik
4	Låg og sæde, aftageligt
5	Konsol
6	Betjeningsfelt med niveauvisning og skylning
7	Kun Saneo BW, CW: Integreret friskvandstank
8	Kun Saneo BW, CW: Tankdæksel
9	Kassettetank
10	Servicevær

5 Montering af toilet

5.1 Montering af servicedør

Find beskrivelsen til monteringen af servicedøren i det vedlagte dokument ( **Dometic Seitz SK 5**, som option og modelafhængigt).

5.2 Fremstilling af vægudsnit

Vægudsnit servicedør

- ▶ Lav en åbning i ydervæggen med følgende mål (fig. **2**, side 3):
 - **A:** til vertikal servicedør SK5:
 - $y_{\min} = 12,5 \text{ mm}$, $y_{\max} = 22 \text{ mm}$
 - $b = 310 \text{ mm} \pm 1 \text{ mm}$
 - $h = 360 \text{ mm} \pm 1 \text{ mm}$
 - **B:** til horisontal servicedør SK5:
 - $y_{\min} = 12,5 \text{ mm}$, $y_{\max} = 26 \text{ mm}$
 - $b = 360 \text{ mm} \pm 1 \text{ mm}$
 - $h = 310 \text{ mm} \pm 1 \text{ mm}$

Målet x følger af opstillingen af toilettet. Vær i den forbindelse opmærksom på servicedørens position (skabelon **(3)** og **(4)** og på emballagen).

Vægudsnit tankdæksel

Montér et tankdæksel til den integrerede vandtank ved modellerne Saneo BW og Saneo CW.

- ▶ Lav en åbning i ydervæggen med skabelonen (fig. **3** 1, side 4). Skabelonen i vejledningen er gjort meget mindre. Original, se emballage.

Installationsbeskrivelsen for tankdækslet findes i kapitlet „Installation af tankdækslet“ på side 119.

5.3 Opstilling af toilet



VIGTIGT!

Alle systemets komponenter skal monteres i frostfri områder. Ved minus-temperaturer er der fare for beskadigelse på grund af frost.

- Installer toilettet i overensstemmelse med beskrivelsen for den pågældende modeludførelse.
- Opstil kun toilettet, så det flugter med en lodret væg.
- Lad der være mindst 60 mm plads til sidevægge, så drejningen af toilettets overdel (med sæde) ikke begrænses.
- Anvend målskitserne og skabelonerne til installationen:
 - **Saneo B, Saneo C:** fig. **4**, side 5
 - **Saneo BS, Saneo CS:** fig. **5**, side 6
 - **Saneo BW, Saneo CW:** fig. **5**, side 6
 - **Saneo BLP, Saneo CLP:** fig. **6**, side 7
 - **Fræsemål:** fig. **7**, side 8
 - **Boringer:** fig. **8**, side 9
 - **Radier:** fig. **9**, side 10



BEMÆRK

- Vær opmærksom på toilettets symmetripunkt på skabelonerne for fræsemål, boringer og radier (fig. **7** A, side 8, fig. **8** A, side 9, fig. **9** A, side 10)
- Ved installation af toilettet i en vådcelle anbefaler producenten at forbinde toilettet med brusekarret.

5.4 Opstilling af toilettet Saneo B, Saneo C

Den fritstående model Saneo B, Saneo C har ikke en integreret vandtank. Opstil denne model, så den bagvedliggende væg kan omfatte toilettets betjeningsdel, de elektriske tilslutninger og eventuelt en vandtank. Det er ideelt at stille en kasse foran rummets væg (fig. **10**, side 11).



BEMÆRK

fig. **10**, side 11 og fig. **11**, side 11 viser installationen i et brusekar som eksempel.

Vær opmærksom på, at kassetten 112 mm rager ud af kassettehuset (fig. **11**, side 11).

- ▶ Sæt husets bund (fig. **11** 1, side 11) plant med servicedørens installationsramme (fig. **11** 2, side 11), så der opstår en glat overgang uden spalte.

Fastgørelse af toilettet Saneo B, Saneo C

- ▶ Opstil toilettet på den ønskede position.
- ▶ Skru bundpladen fast med fire skruer (fig. **12** 2, side 12).
- ▶ Sæt afdækningsklapperne i (fig. **12** 1, side 12).
- ▶ Skru derefter toilethuset fast (med maksimalt 4 skruer, ikke vedlagt) på væggen (fig. **13**, side 12).



BEMÆRK

1:1 skabelon kan fås hos producenten.

- ▶ Skub den mobile tankkassette ind (fig. **19**, side 15).

Installation af kontrol- og betjeningsfeltet for toilettet Saneo B, Saneo C

Installér kontrol- og betjeningsfeltet på et sted i en væg, der er nemt at nå, umiddelbart i nærheden af toilettet.

- ▶ Lav en åbning i væggen til kontrol- og betjeningsfeltet med skabelonen med korrekte målestok (fig. **14**, side 13).
- ▶ Forbind de elektriske kabler med koblingerne for at montere kontrol- og betjeningsfeltet (kapitlet „Elektrisk tilslutning“ på side 120).



FORSIGTIG!

Der er fare for kvæstelser på grund af fjedre, der springer tilbage!

- ▶ Tryk kontrol- og betjeningsfeltets holdefjedre ind, og skub det ind i vægudsnittet (fig. **15**, side 14).

5.5 Opstilling af toilettet Saneo BW, Saneo CW, Saneo BS, Saneo CS, Saneo BLP, Saneo CLP

Disse modeller har en vægtilslutningskonsol. Kontrol- og betjeningsfeltet er integreret i vægtilslutningskonsollen.

Modellerne Saneo BW og Saneo CW har en indbygget vandtank, mens modellerne Saneo BS og Saneo CS ikke har en vandtank.

Opstil alle modeller med vægttilslutningskonsol direkte mod rummets væg (fig. 16, side 14). Der anvendes en vægholder, der er anbragt forinden, til at fastgøre toilettet og konsollen.

- Skru vægholderen vandret på i den følgende højde (fig. 17, side 14):

Variant A:

Model	A	B	C	D
Saneo BW, Saneo BS	170 mm	96 mm	645 mm	652 mm
Saneo CW, Saneo CS	170 mm	96 mm	645 mm	652 mm
Saneo BLP, Saneo CLP	170 mm	96 mm	462 mm	469 mm

Variant B:

- **Saneo BW, Saneo BS:** h = 661 mm
 - **Saneo CW, Saneo CS:** h = 661 mm
 - **Saneo BLP, Saneo CLP:** h = 478 mm
- Placér det komplette toiletmodul i den ønskede position foran vægholderen.
 - Løft toilettet, og fastgør huset i vægholderen (fig. 18, side 15).
 - Skru bundpladen fast med fire skruer (fig. 12 2, side 12).
 - Sæt afdækningsklapperne i (fig. 12 1, side 12).
 - Skub den mobile tankkassette ind (fig. 19, side 15).

5.6 Vandtilslutning



BEMÆRK

Ved modellerne Saneo xW med integreret vandtank er vandtilslutningen fra fabrikken.

- Tilslut vandforsyningen med en glat slangetilslutning (fig. 20 1, side 16). Tilslutningsmuffen er ikke indeholdt i leveringsomfanget.
- Gennemfør en tæthedskontrol.



VIGTIGT!

Magnetventilens driftstryk (vandtryk) må ikke overskride 6 bar. Magnetventilen beskadiges af forøget tryk.

Udmåling til skylningstesten



BEMÆRK

Vandforsyning (pumpe på køretøjssiden):
Toilettet har på køretøjssiden brug for min. 7 l/min ved udgangen på toilettets slangetilslutning for at sikre en tilstrækkelig skylning med min. 5 l/min.

Der findes to varianter til udmåling til skylningstesten:

Variant 1:

- Afbryd toilettets slangeforbindelse fra ledningen på køretøjssiden.
- Før ledningens åbne ende ned i en spand.
- Aktivér skylningen i 1 min. med toilettets betjeningsdel.
- Mål vandmængden, der befinder sig i spanden.
Vandmængden, der befinder sig i spanden, svarer til vandgennemstrømningen i l/min.

Variant 2:

- Afbryd toilettets slangeforbindelse fra ledningen på køretøjssiden.
- Tilslut en Gardena-vandmængdemåler til toilettets vandledning.
- Aktivér skylningen med toilettets betjeningsdel.
- Aflæs vandgennemstrømningen i l/min på Gardena-vandmængdemåleren.

5.7 Installation af tankdækslet

Montér et tankdæksel til den integrerede vandtank ved modellerne Saneo BW og Saneo CW.

- Lav en åbning i ydervæggen med skabelonen (fig. **3** 1, side 4).
- Sørg for at tætte tankdækslet, så den er vandtæt (f.eks. med butylkautsjuk).
- Sæt tankdækslet på tanken.
- Skru tankdækslet fast med fire undersænskruer C4x25 (ikke indeholdt i leveringsomfanget).

- ▶ Skub O-ringen på tankdækslets indvendige rør (fig. **24**, side 18):
 - **A:** O-ringens position ved vægtykkelser 30 mm – 50 mm
 - **B:** O-ringens position ved vægtykkelser 20,5 mm – 30 mm
- ▶ Smør O-ringen. Derved kan påfyldningsstudsden let forbindes med tankens overdel.

6 Elektrisk tilslutning



ADVARSEL!

Den elektriske tilslutning skal udføres af fagpersonale.



VIGTIGT!

- Tilslut ikke toilettet direkte til spændingsforsyningen parallelt med andre forbrugere.
- Tilslut ikke toilettets styring til en trykvandspumpe.
- En ekstern vandpumpes nominelle effekt må ikke overskride 100 W.



BEMÆRK

- Den eksterne vandpumpe findes ikke i leveringsomfanget.
- En for-sikring er ikke nødvendig, da toilettet er sikret internt.

Forklaring til fig. **25**, side 19:

Pos.	Betegnelse
1	Saneo
2	Vandpumpe
3	Kontakt
4	Sikrings-/hovedtilslutningskasse
5	12 V-forsyning




Konfigurationen af touch-switch-betjeningsdelen (fig. 26 A, side 20) og af Tact-Switch-betjeningsdelen (fig. 26 B, side 20) er som følger:

Pos.	Betegnelse
1	Tilslutning med 5 ledere til reed-sensorer til kassetetank og mikrokontakter til kassette
2	Kun Saneo BW, CW: Svømmer-niveauvisning vandtank
3	Jumper (kun Touch-Switch-betjeningsdel)
4	Kun Saneo B, C, BS, CS, BLP, CLP: Tilslutning ventil Kun Saneo BW, CW: Tilslutning interne pumpe
5	12 V-forsyning
6	Sikring (10 A)

- Tilslut toilettet til sin egen spændingsforsyning via hovedtilslutningsblokken (fig. 25, side 19 og fig. 26 5, side 20). Anvend dertil det tilsvarende kabel (fig. 27, side 20):

Pos./kabelfarve	Betegnelse
A	Saneo B, BS, BLP, C, CS, CLP (må ikke anvendes ved anvendelse af en trykvandspumpe)
B	Saneo BW, CW
C	Saneo B, BS, BLP, C, CS, CLP med trykvandspumpe (Australien)
D	Saneo BW, CW (UK)
ws	Hvidt kabel, stel (-)
rt	Rødt kabel, indgang (+)
bl	Blåt kabel, udgang (+) Styreledning til en ekstern pumpe (må ikke anvendes ved anvendelse af en trykvandspumpe)

7 Tekniske data

	Dometic Saneo
Forsyningsspænding:	12 V $\overline{=}$
Strømforbrug:	maks. 2 A ved intern pumpe maks. 10 A ved ekstern pumpe
Maks. personvægt:	150 kg
Mål:	se fig. 4 , side 5 til fig. 9 , side 10
Driftstemperatur:	0 °C til +50 °C
Kapacitet:	16 l (kassetetank) 7 l (friskvandstank, option)
Kontrolmærke:	   ECE R 10



BEMÆRK

Vandforsyning (pumpe på køretøjssiden):
Toilettet har på køretøjssiden brug for min. 7 l/min ved udgangen på toilettets slangetilslutning for at sikre en tilstrækkelig skylning med min. 5 l/min.

Läs igenom anvisningarna noga innan produkten monteras och används. Spara monterings- och bruksanvisningen för senare bruk. Överlämna bruksanvisningen till den nya ägaren vid ev. vidareförsäljning.

Innehållsförteckning

1	Förklaring av symboler	124
2	Säkerhetsanvisningar	124
2.1	Allmän säkerhet	125
2.2	Monteringsanvisningar	125
3	Ändamålsenlig användning	125
4	Teknisk beskrivning	126
4.1	Beskrivning av komponenterna	126
5	Montera toaletten	127
5.1	Montera serviceluckan	127
5.2	Göra urtag i väggen	127
5.3	Ställa upp toaletten	128
5.4	Ställa upp toaletten Saneo B, Saneo C	128
5.5	Ställa upp toaletten Saneo BW, Saneo CW, Saneo BS, Saneo CS, Saneo BLP, Saneo CLP	129
5.6	Vattenanslutning	130
5.7	Montering av tankluckan	131
6	Elektrisk anslutning	132
7	Tekniska data	134

1 Förklaring av symboler

**VARNING!**

Observera: Beaktas anvisningen ej kan det leda till dödsfara eller svåra skador.

**AKTA!**

Observera: Beaktas anvisningen ej kan det leda till kroppsskador.

**OBSERVERA!**

Om anvisningarna inte beaktas kan det leda till materialskador och produktens funktion kan påverkas negativt.

**ANVISNING**

Kompletterande information om användning av produkten.

2 Säkerhetsanvisningar

Tillverkaren övertar inget ansvar för skador i följande fall:

- monterings- eller anslutningsfel
- skador på produkten, orsakade av mekanisk påverkan eller överspänning
- ändringar som utförts utan uttryckligt medgivande från tillverkaren
- ej ändamålsenlig användning

Försäkran om överensstämmelse kan inhämtas hos tillverkaren (kontaktuppgifter på baksidan).

2.1 Allmän säkerhet



WARNING!

- Denna apparat kan användas av barn från 8 år samt av personer med fysiska, sensoriska eller mentala funktionshinder och personer som saknar erfarenhet och kunskap under förutsättning att de använder den under uppsikt eller har undervisats om hur apparaten används på ett säkert sätt och känner till ev. risker i samband med användningen.
- Rengöring och underhåll får inte genomföras av barn utan uppsikt.
- Barn bör hållas under uppsikt, så att de inte leker med apparaten.
- Endast behörig fackpersonal får installera toaletten.



- Alla systemets komponenter måste installeras i frostfria områden. Vid minusgrader föreligger risk för saksador från frost.
- Använd inga frostskyddsmedel. Dessa medel riskerar att skada kassettoaletten.
- Magnetventilens driftryck (vattentryck) får inte överskrida 6 bar. Magnetventilen skadas av övertryck.
- Elinstallationen måste ske i enlighet med nationella och lokala bestämmelser.
I Europa: EN 1645-1, EN 1646-1, EN 1648-1, EN 1648-2.

2.2 Monteringsanvisningar

Toaletten måste i princip installeras på ett sådant sätt att man lätt kommer åt den för servicearbeten och att man lätt kan installera och avlägsna den ur fordonet.

3 Ändamålsenlig användning

Toaletten är avsedd att installeras och användas i fritidsfordon som husbilar och husvagnar.

4 Teknisk beskrivning

Kassettoaletten Saneo består av en toalett som är fast installerad i fordonet och en uttagbar, körbar kassett som avloppstank. Kassetten går att komma åt utifrån via en lucka. Beroende på modell får toaletten spolvatten från en tank som integrerats i höljet eller från färskvattentanken på fordonssidan.

Toaletten finns i följande modeller:

- **Saneo B, Saneo C:** fristående, utan vattentank, utan konsol
- **Saneo BS, Saneo CS:** fristående, utan vattentank, med konsol
- **Saneo BW, Saneo CW:** fristående, med vattentank i konsolen
- **Saneo BLP, Saneo CLP:** fristående, utan vattentank, låg konsol


Saneo C-modeller kan vara utrustade med intervallspolning (tillval). När denna används pumpas vatten in i toalettstolen med korta skov för att uppnå förbättrad spoleffekt och rengöring. Spoleffekten och rengöringen beror på mängden vatten som finns tillgänglig i fordonet.

4.1 Beskrivning av komponenterna

Pos. på bild 1 , sida 3	Beteckning
1	Hölje för kassettank
2	Tömningsspjäll för toalettstolen
3	Vridbar toalettstol, plast eller keramik
4	Lock och sits, avtagbara
5	Konsol
6	Kontrollpanel med nivåindikator och spolning
7	Endast Saneo BW, CW: Integrerad färskvattentank
8	Endast Saneo BW, CW: Tanklucka
9	Kassettank
10	Servicelucka


5 Montera toaletten

5.1 Montera serviceluckan

Monteringsbeskrivningen för serviceluckan finns i bifogat dokument ( **Dometic Seitz SK 5**, tillval och beroende av modell).

5.2 Göra urtag i väggen

Urtag i vägg för servicelucka


► Gör en öppning i ytterväggen med följande mått (bild , sida 3):

- **A:** för servicelucka SK5 vertikal:
 - $y_{\min} = 12,5 \text{ mm}$, $y_{\max} = 22 \text{ mm}$
 - $b = 310 \text{ mm} \pm 1 \text{ mm}$
 - $h = 360 \text{ mm} \pm 1 \text{ mm}$
- **B:** för servicelucka SK5 horisontell:
 - $y_{\min} = 12,5 \text{ mm}$, $y_{\max} = 26 \text{ mm}$
 - $b = 360 \text{ mm} \pm 1 \text{ mm}$
 - $h = 310 \text{ mm} \pm 1 \text{ mm}$

Måttet x beror på hur toaletten ställs upp. Observera serviceluckans position (mall  och  på förpackningen).

Väggurtag för tanklucka

På modellerna Saneo BW och Saneo CW måste en tanklucka för den integrerade vattentanken monteras.

► Gör en öppning i ytterväggen med hjälp av mallen (bild  1, sida 4). Mallen är kraftigt förminskad i beskrivningen. Original, se förpackning.

Monteringsanvisning för tankluckan finns i kapitel "Montering av tankluckan" på sidan 131.

5.3 Ställa upp toaletten



OBSERVERA!

Alla systemets komponenter måste installeras i frostfria områden. Vid minusgrader föreligger risk för saksador från frost.

- Installera toaletten i enlighet med beskrivningen för det aktuella modellutförandet.
- Toaletten får endast ställas upp kant i kant med en vågrät vägg.
- Lämna minst 60 mm plats till sidoväggarna så att toalettöverdelen (med sits) kan svängas utan att det tar emot.
- Använd måttskisserna och mallarna vid monteringen:
 - **Saneo B, Saneo C:** bild **4**, sida 5
 - **Saneo BS, Saneo CS:** bild **5**, sida 6
 - **Saneo BW, Saneo CW:** bild **5**, sida 6
 - **Saneo BLP, Saneo CLP:** bild **6**, sida 7
 - **Fräsmått:** bild **7**, sida 8
 - **Hål:** bild **8**, sida 9
 - **Radier:** bild **9**, sida 10



ANVISNING

- Tänk på symmetripunkten för toaletten på mallarna för fräsmått, hål och radier (bild **7** A, sida 8, bild **8** A, sida 9, bild **9** A, sida 10)
- Om toaletten ska installeras i ett våtutrymme, rekommenderar tillverkaren att toaletten ansluts med duschkaret.

5.4 Ställa upp toaletten Saneo B, Saneo C

Den fristående modellen Saneo B, Saneo C har ingen integrerad vattentank. Denna modell ska ställas upp på ett sådant sätt, att den bakomliggande väggen kan rymma toalettens kontrollpanel, de elektriska anslutningarna och en eventuell vattentank. Den bästa lösningen är att sätta en låda framför rummets vägg (bild **10**, sida 11).



ANVISNING

bild **10**, sida 11 och bild **11**, sida 11 visar ett exempel på montering i ett duschkar.

Observera att kassetten skjuter ut 112 mm ur kassetthöljet (bild **11**, sida 11).

- Placera höljets botten (bild **11** 1, sida 11) i linje med serviceluckans monteringsram (bild **11** 2, sida 11) så att övergången är jämn utan nivåskillnader och springa.

Fästa toaletten Saneo B, Saneo C

- Ställ upp toaletten på den önskade positionen.
- Skruva fast golvplattan med fyra skruvar (bild **12** 2, sida 12).
- Sätt in skyddslocken (bild **12** 1, sida 12).
- Skruva därefter fast toalett-höljet (med max. 4 skruvar, medföljer ej) i väggen (bild **13**, sida 12).



ANVISNING

1:1 mall finns tillgänglig hos tillverkaren.

- Skjut in den flyttbara tankkassetten (bild **19**, sida 15).

Montera kontrollpanel för toaletten Saneo B, Saneo C

Installera kontrollpanelen i väggen på en lättillgänglig plats i toalettens omedelbara närhet.

- Gör en öppning i väggen för kontrollpanelen med hjälp av mallen med rätt proportioner (bild **14**, sida 13).
- Anslut elkablarna till kopplingarna för att montera kontrollpanelen (kapitel "Elektrisk anslutning" på sidan 132).



AKTA!

Skaderisk från fjädrar som kan sprätta tillbaka!

- Tryck in fasthållningsfjädrarna på kontrollpanelen i väggurtaget (bild **15**, sida 14).

5.5 Ställa upp toaletten Saneo BW, Saneo CW, Saneo BS, Saneo CS, Saneo BLP, Saneo CLP

Dessa modeller har en vägganslutningskonsol. Kontrollpanelen är integrerad i vägganslutningskonsolen.

Modellerna Saneo BW och Saneo CW har en inbyggd vattentank, medan modellerna BS och Saneo CS inte har någon vattentank.

Ställ alla modeller med vägganslutningskonsol direkt mot rummets vägg (bild **16**, sida 14). En vägghållare som fästs tidigare används för att fästa toaletten och konsolen.

- Skruva fast vägghållaren vågrätt i följande höjd (bild **17**, sida 14):

Variant A:

Modell	A	B	C	D
Saneo BW, Saneo BS	170 mm	96 mm	645 mm	652 mm
Saneo CW, Saneo CS	170 mm	96 mm	645 mm	652 mm
Saneo BLP, Saneo CLP	170 mm	96 mm	462 mm	469 mm

Variant B:

- **Saneo BW, Saneo BS:** h = 661 mm
 - **Saneo CW, Saneo CS:** h = 661 mm
 - **Saneo BLP, Saneo CLP:** h = 478 mm
- För hela toalettmodulen till önskad position framför vägghållaren.
 - Lyft upp toaletten och haka fast höljet i vägghållaren (bild **18**, sida 15).
 - Skruva fast golvplattan med fyra skruvar (bild **12** 2, sida 12).
 - Sätt in skyddslocken (bild **12** 1, sida 12).
 - Skjut in den flyttbara tankkassetten (bild **19**, sida 15).

5.6 Vattenanslutning



ANVISNING

På modellerna Saneo xW med integrerad vattentank har vattenanslutningen redan monterats på fabrik.

- Anslut vattenförsörjningen via en slät slanganslutning (bild **20** 1, sida 16) an. Anslutningshylsan ingår inte i leveransen.
- Gör en täthetskontroll.



OBSERVERA!

Magnetventilens drifttryck (vattentryck) får inte överskrida 6 bar. Magnetventilen skadas av övertryck.

Volymmätning för spoleffektstestet



ANVISNING

Vattenförsörjning (pump på fordonssidan):

På fordonssidan behöver toaletten minst 7 l/min vid utgången till toalettens slanganslutning för att kunna garantera en tillräcklig spoleffekt på minst 5 l/min.

Det finns två varianter för att göra en volymmätning för spoleffektstestet:

Variant 1:

- Koppla loss toalettens slanganslutning från ledningen på fordonssidan.
- Placera ledningens öppna ände i en hink.
- Spola toaletten 1 minut via toalettens kontrollpanel.
- Mät mängden vatten i hinken.
Vattenmängden i hinken motsvarar vattenflödet i l/min.

Variant 2:

- Koppla loss toalettens slanganslutning från ledningen på fordonssidan.
- Anslut en Gardena-vattenmätare till toalettens vattenledning.
- Spola toaletten via toalettens kontrollpanel.
- Läs av vattenflödet i l/min på Gardena-vattenmätaren.

5.7 Montering av tankluckan

På modellerna Saneo BW och Saneo CW måste en tanklucka för den integrerade vattentanken monteras.

- Gör en öppning i ytterväggen med hjälp av mallen (bild **3** 1, sida 4).
- Se till att tankluckan är vattentät (t.ex. med butylgummi)
- Placera tankluckan på tanken.
- Skruva fast tankluckan med fyra försänkta skruvar C4x25 (medföljer inte).

- ▶ Skjut på O-ringen på tankluckans innerrör (bild **24**, sida 18):
 - **A:** O-ringens position vid väggfjocklek 30 mm–50 mm
 - **B:** O-ringens position vid väggfjocklek 20,5 mm–30 mm
- ▶ Smörj in O-ringen med fett. På så sätt är det lätt att koppla samman påfyllningsstället med överdelen på tanken.

6 Elektrisk anslutning



VARNING!

Fackpersonal måste utföra den elektriska anslutningen.



OBSERVERA!

- Anslut inte toaletten till spänningskällan direkt parallellt till andra förbrukare.
- Anslut inte toalettens styrning till en tryckvattenpump.
- Den nominella effekten hos en extern vattenpump får inte överskrida 100 W.



ANVISNING

- Den externa vattenpumpen ingår inte i leveransen.
- Eftersom toaletten har en integrerad säkring behövs ingen försäkring.

Teckenförklaring till bild **25**, sida 19:

Pos.	Beteckning
1	Saneo
2	Vattenpump
3	brytare
4	Säkrings-/Huvudanslutningslåda
5	12 V-försörjning




Konfigurationen av Touch-Switch-kontrollpanelen (bild **26** A, sida 20) och Tact-Switch-kontrollpanelen (bild **26** B, sida 20) är följande:

Pos.	Beteckning
1	5-Polig anslutning för Reedsensorer kassettkång och mikrobrytare kassettkång
2	Bara Saneo BW, CW: Flottör-nivåindikator vattentång
3	Jumper (bara Touch-Switch-kontrollpanel)
4	Bara Saneo B, C, BS, CS, BLP, CLP: Anslutning ventil Bara Saneo BW, CW: Anslutning intern pump
5	12 V-försörjning
6	Säkring (10 A)

- Anslut toaletten via fordonets huvudanslutningsblock till en egen spänningskälla (bild **25**, sida 19 och bild **26** 5, sida 20). Använd motsvarande kabel (bild **27**, sida 20):

Pos./Kabelfärg	Beteckning
A	Saneo B, BS, BLP, C, CS, CLP (använd inte om tryckvattenpump används)
B	Saneo BW, CW
C	Saneo B, BS, BLP, C, CS, CLP med tryckvattenpump (Australien)
D	Saneo BW, CW (Storbritannien)
ws	Vit kabel, massa (-)
rt	Röd kabel, ingång (+)
bl	Blå kabel, utgång (+) Styrledning för en extern pump (använd inte om tryckvattenpump används)

7 Tekniska data

	Dometic Saneo
Försörjningsspänning:	12 V $\overline{=}$
Strömförbrukning:	max. 2 A med intern pump max. 10 A med extern pump
Max. vikt/person:	150 kg
Mått:	se bild 4 , sida 5 till bild 9 , sida 10
Drifttemperatur:	0 °C till +50 °C
Kapacitet:	16 l (kassettank) 7 l (färskvattentank, tillval)
Kontrollmärkning:	   ECE R 10



ANVISNING

Vattenförsörjning (pump på fordonssidan):

På fordonssidan behöver toaletten minst 7 l/min vid utgången till toalettens slanganslutning för att kunna garantera en tillräcklig spoleffekt på minst 5 l/min.

Les bruksanvisningen nøye før du monterer og tar apparatet i bruk, og ta vare på den. Hvis produktet selges videre, må du sørge for å gi bruksanvisningen videre også.

Innholdsfortegnelse

1	Symbolforklaring	136
2	Sikkerhetsregler	136
2.1	Grunnleggende sikkerhet	137
2.2	Monteringsråd	137
3	Tiltenkt bruk	137
4	Teknisk beskrivelse	138
4.1	Beskrivelse av komponentene	138
5	Montere toalett	139
5.1	Montere servicedør	139
5.2	Lage veggutsparinger	139
5.3	Oppstilling av toalettet	140
5.4	Oppstilling av toalettet Saneo B, Saneo C	140
5.5	Oppstilling av toalettet Saneo BW, Saneo CW, Saneo BS, Saneo CS, Saneo BLP, Saneo CLP	141
5.6	Vanntilkobling	142
5.7	Montasje av tanklokket	143
6	Elektrisk tilkobling	144
7	Tekniske spesifikasjoner	146

1 Symbolforklaring

**ADVARSEL!**

Sikkerhetsregel: Hvis man ikke overholder denne regelen, kan det føre til død eller alvorlig skade.

**FORSIKTIG!**

Sikkerhetsregel: Hvis man ikke overholder denne regelen, kan det føre til personskader.

**PASS PÅ!**

Hvis man ikke overholder denne regelen, kan det føre til materielle skader og skade funksjonen til produktet.

**MERK**

Utfyllende informasjon om bruk av produktet.

2 Sikkerhetsregler

Produsenten tar i følgende tilfeller intet ansvar for skader:


- Montasje- eller tilkoblingsfeil
- Skader på produktet på grunn av mekanisk påvirkning og overspenninger
- Endringer på produktet uten at det er gitt uttrykkelig godkjenning av produsenten
- Bruk til andre formål enn det som er beskrevet i veiledningen

Du kan be om samsvarserklæring hos forhandleren (du finner kontaktopplysningene på baksiden).

2.1 Grunnleggende sikkerhet



ADVARSEL!

- Dette apparatet kan brukes av barn fra 8 år og oppover, og av personer med nedsatte fysiske, sensoriske eller mentale evner eller manglende erfaring og kunnskap, når de er under oppsikt eller har fått opplæring i sikker bruk av apparatet og hvilke farer som er forbundet med det.
 - Rengjøring og vedlikehold må ikke utføres av barn uten at de er under oppsikt.
 - Barn skal være under tilsyn for å sikre at de ikke leker med apparatet.
 - Montering av toalettet skal bare foretas av skolert fagpersonale.
- 
- Samtlige av systemets komponenter må monteres i frostfrie områder. Ved minustemperaturer er det fare for skade som følge av frostpåvirkning.
 - Ikke bruk frostbeskyttelsesmiddel. Slike midler kan skade kassettoalettet.
 - Driftstrykket (vanntrykket) til magnetventilen må ikke overskride 6 bar. Magnetventilen skades ved for høyt trykk.
 - Den elektriske installasjonen må utføres i henhold til nasjonale og lokale forskrifter.
I Europa: EN 1645-1, EN 1646-1, EN 1648-1, EN 1648-2.

2.2 Monteringsråd

Toalettet må prinsipielt monteres slik at det er lett tilgjengelig for service og vedlikehold, og at det kan monteres/demonteres og tas ut av kjøretøyet uten problemer.

3 Tiltenkt bruk

Toalettet er ment for montering og bruk i fritidskjøretøy som campingvogner eller bobiler.

4 Teknisk beskrivelse

Kassettoalettet Saneo består av et toalett som er fast installert i kjøretøyet og en uttagbar, kjørbart kassett som avløpstank. Kassetten er tilgjengelig utenfra gjennom en dør. Avhengig av modellen henter toalettet spylevann fra en tank som er integrert i toalettet, eller fra ferskvannstanken i kjøretøyet.

Det finnes følgende modellutførelser av toalettet:

- **Saneo B, Saneo C:** frittstående, uten vanntank, uten konsoll
- **Saneo BS, Saneo CS:** frittstående, uten vanntank, med konsoll
- **Saneo BW, Saneo CW:** frittstående, med vanntank i konsollen
- **Saneo BLP, Saneo CLP:** frittstående, uten vanntank, lav konsoll


Saneo C-modeller kan være utstyrt med intervallskylling (ekstrautstyr). Da blir vannet bare pumpet inn i toalettskålen i korte støt for å oppnå en forbedret skyllespredning og rengjøring. Spredningen og rengjøringen avhenger av vannmengden som stilles til rådighet i kjøretøyet.

4.1 Beskrivelse av komponentene

Pos. i fig. 1, side 3	Betegnelse
1	Hus for kassettank
2	Tømmeskyver for toalettskålen
3	Toalettskål dreibar, plast eller keramikk
4	Lokk og sete, avtagbart
5	Konsoll
6	Betjeningsfelt med nivåindikator og skylling
7	Bare Saneo BW, CW: Integrert ferskvannstank
8	Bare Saneo BW, CW: Tanklokk
9	Kassettank
10	Servicedør

5 Montere toalett

5.1 Montere servicedør

Beskrivelsen for montasje av servicedørene finner du i det vedlagte dokumentet ( **Dometic Seitz SK 5**, ekstrautstyr og modellavhengig).

5.2 Lage veggutsparinger

Veggutsparing servicedør

► Lag åpningen i ytterveggen med følgende mål (fig. **2**, side 3):

- **A:** for servicedør SK5 vertikalt:
 - $y_{\min} = 12,5 \text{ mm}$, $y_{\max.} = 22 \text{ mm}$
 - $b = 310 \text{ mm} \pm 1 \text{ mm}$
 - $h = 360 \text{ mm} \pm 1 \text{ mm}$
- **B:** for servicedør SK5 horisontalt:
 - $y_{\min} = 12,5 \text{ mm}$, $y_{\max.} = 26 \text{ mm}$
 - $b = 360 \text{ mm} \pm 1 \text{ mm}$
 - $h = 310 \text{ mm} \pm 1 \text{ mm}$

Målet x gir seg ut fra oppstillingen av toalettet. Ta i den anledning hensyn til servicedørens posisjon (sjablong **(3)** og **(4)** på emballasjen).

Veggutsparing tanklokk

Monter et tanklokk for den innebygde vanntanken på modellene Saneo BW og Saneo CW.

► Lag en åpning i ytterveggen med sjablongen (fig. **3** 1, side 4). Sjablongen i veiledningen er sterkt forminket. Se emballasjen for den originale.

Montasjebeskrivelsen til tanklokket finner du i kapittel «Montasje av tanklokket» på side 143.

5.3 Oppstilling av toalettet



PASS PÅ!

Samtlige av systemets komponenter må monteres i frostfrie områder. Ved minustemperaturer er det fare for skade som følge av frostpåvirkning.

- Monter toalettet i samsvar med beskrivelsen for den respektive modellutførelsen.
- Still toalettet bare opp i flukt med en loddrett vegg.
- La det være minst 60 mm plass til sideveggene, slik at svingingen av toalettets overdel (med sete) ikke innskrenkes.
- For montasje bruker du måleskissene og sjablongene:
 - **Saneo B, Saneo C:** fig. **4**, side 5
 - **Saneo BS, Saneo CS:** fig. **5**, side 6
 - **Saneo BW, Saneo CW:** fig. **5**, side 6
 - **Saneo BLP, Saneo CLP:** fig. **6**, side 7
 - **Fresemål:** fig. **7**, side 8
 - **Boringer:** fig. **8**, side 9
 - **Radier:** fig. **9**, side 10



MERK

- Følg symmetripunktet til toalettet på sjablongene for fresemål, boringer og radier (fig. **7** A, side 8, fig. **8** A, side 9, fig. **9** A, side 10)
- Ved montasje av toalettet i et våtrom anbefaler produsenten å forbinde toalettet med dusjkaret.

5.4 Oppstilling av toalettet Saneo B, Saneo C

Den frittstående modellen Saneo B, Saneo C har ingen integrert vanntank. Still denne modellen opp slik at den bakenforliggende vegg kan romme toalettets betjeningsdel, de elektriske kontaktene og eventuelt en vanntank. For dette er det ideelt å sette en kasse foran rommets vegg (fig. **10**, side 11).



MERK

fig. **10**, side 11 og fig. **11**, side 11 viser en eksemplarisk montasje i et dusjkar.

Pass på at kassetten rager 112 mm ut fra kassetthuset (fig. **11**, side 11).

- Sett husgulvet (fig. **11** 1, side 11) i flukt med montasjerammen til servicedøren (fig. **11** 2, side 11), slik at det er en ren overgang uten spalte.

Feste av toalettet Saneo B, Saneo C

- Still toalettet opp i ønsket posisjon.
- Skru fast bunnplaten med de fire skruene (fig. **12** 2, side 12).
- Sett dekslene på (fig. **12** 1, side 12).
- Skru deretter toalettet (med maksimalt 4 skruer, ikke vedlagt) fast til veggen (fig. **13**, side 12).



MERK

1:1 sjablonger kan fås hos forhandler.

- Skyver inn den bevegelige tankkassetten (fig. **19**, side 15).

Montasje av kontroll- og betjeningsfeltet til toalettet Saneo B, Saneo C

Monter kontroll- og betjeningsfeltet i veggen i umiddelbar nærhet til toalettet hvor det er lett tilgjengelig.

- Lag en åpning i veggen for kontroll- og betjeningsfeltet med den målestokkriktige sjablongen (fig. **14**, side 13).
- Forbind den elektriske kabelen til koblingene for montasje av kontroll- og betjeningsfeltet (kapittel «Elektrisk tilkobling» på side 144).



FORSIKTIG!

Det er fare for skader grunnet fjær som springer tilbake!

- Trykk holdefjærene på kontroll- og betjeningsfeltet inn, og skyv det inn i veggutsparingen (fig. **15**, side 14).

5.5 Oppstilling av toalettet Saneo BW, Saneo CW, Saneo BS, Saneo CS, Saneo BLP, Saneo CLP

Disse modellene har en veggtilkoblingskonsoll. Kontroll- og betjeningsfeltet er integrert i veggtilkoblingskonsollen.

Modellene Saneo BW og Saneo CW har en innebygd vanntank, mens modellene Saneo BS og Saneo CS ikke har noen vanntank.

Still opp alle modeller med veggtilkoblingskonsoll direkte mot rommets vegg (fig. **16**, side 14). For feste av toalettet og konsollen tjener en formontert veggholder.

- Skru veggholderen vannrett i følgende høyde (fig. **17**, side 14):

Variant A:

Modell	A	B	C	D
Saneo BW, Saneo BS	170 mm	96 mm	645 mm	652 mm
Saneo CW, Saneo CS	170 mm	96 mm	645 mm	652 mm
Saneo BLP, Saneo CLP	170 mm	96 mm	462 mm	469 mm

Variant B:

- **Saneo BW, Saneo BS:** h = 661 mm
 - **Saneo CW, Saneo CS:** h = 661 mm
 - **Saneo BLP, Saneo CLP:** h = 478 mm
- Plasser den komplette toalettmodulen i ønsket posisjon foran veggholderen.
 - Løft toalettet opp, og heft huset på veggholderen (fig. **18**, side 15).
 - Skru fast bunnplaten med de fire skruene (fig. **12** 2, side 12).
 - Sett dekslene på (fig. **12** 1, side 12).
 - Skyver inn den bevegelige tankkassetten (fig. **19**, side 15).

5.6 Vanntilkobling



MERK

På modellene Saneo xW med innebygd vanntank er vanntilkoblingen montert fra fabrikk.

- Koble vannforsyningen til via en glatt slangekontakt (fig. **20** 1, side 16). Kontaktnippelen er ikke inkludert i leveringsomfanget.
- Kontroller tilkoblingen visuelt.



PASS PÅ!

Driftstrykket (vanntrykket) til magnetventilen må ikke overskride 6 bar. Magnetventilen skades ved for høyt trykk.

Bestemme tankens rominnhold for skylleeffekttesten



MERK

Vannforsyning (pumpe på kjøretøyet):
Toalettet trenger fra kjøretøyet min. 7 l/min ved utgangen på toalettets slangetilkobling for å kunne sørge for en tilstrekkelig skylleeffekt med min. 5 l/min.

For å bestemme rominnholdet for skylleeffekttesten finnes det to varianter:

Variant 1:

- Skill slangeforbindelsen til toalettet fra ledningen på kjøretøyet.
- Heng ledningens åpne ende ned i ei bøtte.
- Aktiver skyllingen i 1 min. via toalettets betjeningsdel.
- Mål vannmengden som befinner seg i bøtta.
Vannmengden som befinner seg i bøtta, tilsvarer vannkapasiteten i l/min.

Variant 2:

- Skill slangeforbindelsen til toalettet fra ledningen på kjøretøyet.
- Klem på en Gardena-vannmengdemåler på toalettets vannledning.
- Aktiver skyllingen via toalettets betjeningsdel.
- Les av vannkapasiteten i l/min på Gardena-vannmengdemåleren.

5.7 Montasje av tanklokket

Monter et tanklokk for den innebygde vanntanken på modellene Saneo BW og Saneo CW.

- Lag en åpning i ytterveggen med sjablongen (fig. **3** 1, side 4).
- Sørg for vanntett tetning av tanklokket (f.eks. med butylgummi).
- Sett tanklokket på tanken.
- Skru tanklokket på med fire senkehodeskruer C4x25 (ikke i leveringsomfanget).

- ▶ Skyv o-ringen på innerrøret til tankklokket (fig. **24**, side 18):
 - **A:** O-ringens posisjon ved veggtykkelser på 30 mm – 50 mm
 - **B:** O-ringens posisjon ved veggtykkelser på 20,5 mm – 30 mm
- ▶ Fett inn O-ringen. Dermed lar påfyllingsstussen seg lett forbinde med tank-overdelen.

6 Elektrisk tilkobling



ADVARSEL!

Den elektriske tilkoblingen må utføres av fagpersonale.



PASS PÅ!

- Ikke koble toalettet direkte parallelt til andre forbrukere på spenningsforsyningen.
- Styringen av toalettet må ikke kobles til en trykkvannpumpe.
- Den eksterne vannpumpen må ikke overskride en nominell effekt på 100 W.



MERK

- Den eksterne vannpumpen er ikke inkludert i leveringsomfanget.
- En forsikring er ikke nødvendig, da toalettet er internt sikret.

Forklaring til fig. **25**, side 19:

Pos.	Betegnelse
1	Saneo
2	Vannpumpe
3	Bryter
4	Sikrings-/hovedtilkoblingsboks
5	12 V-forsyning




Tastetilordningen for Touch-Switch-betjeningsenheten (fig. 26 A, side 20) og Tact-Switch-betjeningsenheten (fig. 26 B, side 20) er som følger:

Pos.	Betegnelse
1	5-polet tilkobling for reed-sensorer kassetank og mikrobyter kasset
2	Bare Saneo BW, CW: Flottør-nivåindikator i vanntank
3	Jumper (bare Touch-Switch-betjeningsenhet)
4	Bare Saneo B, C, BS, CS, BLP, CLP: Tilkobling ventil Bare Saneo BW, CW: Tilkobling intern pumpe
5	12 V-forsyning
6	Sikring (10 A)

- Koble til toalettet til en egen spenningsforsyning via hovedkontaktblokken til kjøretøyet (fig. 25, side 19 og fig. 26 5, side 20). Bruk den respektive kabelen for å gjøre dette (fig. 27, side 20):

Pos./kabel farge	Betegnelse
A	Saneo B, BS, BLP, C, CS, CLP (bruk ikke når det finnes en trykkvannpumpe)
B	Saneo BW, CW
C	Saneo B, BS, BLP, C, CS, CLP med trykkvannpumpe (Australia)
D	Saneo BW, CW (UK)
ws	Hvit kabel, jord (-)
rt	Rød kabel, inngang (+)
bl	Blå kabel, utgang (+) Styreledning for ekstern pumpe (bruk ikke når det finnes en trykkvannpumpe)

7 Tekniske spesifikasjoner

	Dometic Saneo
Forsyningsspenning:	12 V $\overline{=}$
Strømforbruk:	maks. 2 A med intern pumpe maks. 10 A med ekstern pumpe
Personer med en vekt på maks.	150 kg
Mål:	se fig. 4 , side 5 til fig. 9 , side 10
Driftstemperatur:	0 °C til +50 °C
Volum:	16 l (kassetank) 7 l (ferskvannstank, ekstra)
Testmerke:	   ECE R10



MERK

Vannforsyning (pumpe på kjøretøyet):

Toalettet trenger fra kjøretøyet min. 7 l/min ved utgangen på toalettets slangetilkobling for å kunne sørge for en tilstrekkelig skylleeffekt med min. 5 l/min.

Lue tämä ohje huolellisesti läpi ennen asennusta ja käyttöönottoa ja säilytä ohje hyvin. Jos myyt tuotteen eteenpäin, anna ohje tällöin edelleen uudelle käyttäjälle.

Sisällysluettelo

1	Symbolien selitykset	148
2	Turvallisuusohjeet	148
2.1	Perusturvallisuus	149
2.2	Asennusohjeita	149
3	Käyttötarkoitus	149
4	Tekninen kuvaus	150
4.1	Osien kuvaus	150
5	Käymälän asennus	151
5.1	Huolto-oven asennus	151
5.2	Reikien tekeminen seinään	151
5.3	Käymälän asennus	152
5.4	Saneo B, Saneo C -käymälöiden asentaminen	152
5.5	Saneo BW, Saneo CW, Saneo BS, Saneo CS, Saneo BLP, Saneo CLP -käymälöiden asentaminen	153
5.6	Vesiliitäntä	154
5.7	Säiliöluukun asentaminen	155
6	Sähköinen liitäntä	156
7	Tekniset tiedot	158

1 Symbolien selitykset

**VAROITUS!**

Turvallisuusohje: Huomiotta jättäminen voi aiheuttaa hengenvaaran tai vakavan loukkaantumisen.

**HUOMIO!**

Turvallisuusohje: Huomiotta jättäminen voi johtaa loukkaantumiseen.

**HUOMAUTUS!**

Huomiotta jättäminen voi johtaa materiaalivaurioihin ja haitata tuotteen toimintaa.

**OHJE**

Tuotteen käyttöä koskevia lisätietoja.

2 Turvallisuusohjeet

Valmistaja ei ota mitään vastuuta vahingoista seuraavissa tapauksissa:


- asennus- tai liitännävirheet
- tuotteeseen mekaanisen vaikutuksen tai ylijännitteiden takia syntyneet vauriot
- tuotteeseen ilman valmistajan nimenomaista lupaa tehdyt muutokset
- käyttö muuhun kuin käyttöohjeessa ilmoitettuun tarkoitukseen

Vaatimustenmukaisuusvakuutuksen voi pyytää valmistajalta (yhteystiedot takakan-nessa)

2.1 Perusturvallisuus



VAROITUS!

- Tätä laitetta voivat käyttää valvonnan alaisuudessa myös vähintään 8-vuotiaat lapset samoin kuin henkilöt, joiden fyysiset, aistinvaraiset tai henkiset valmiudet ovat rajoittuneet tai joilta puuttuu käytön vaatima kokemus tai tietämys. Tämä koskee myös tilannetta, jossa edellä mainitut henkilöt ovat saaneet laitteen turvallista käyttöä koskevan perehdytyksen ja jotka tämän perusteella ymmärtävät laitteen käytöstä aiheutuvat vaarat.
 - Lapset eivät saa puhdistaa laitetta tai tehdä käyttäjähuoltoa ilman valvontaa.
 - Lapsia tulee valvoa sen varmistamiseksi, etteivät he leiki laitteella.
 - Käymälän saa asentaa vain koulutettu ammattihenkilökunta.
- 
- Järjestelmän kaikki osat täytyy asentaa paikkaan, jossa ei ole pakkasta. Nolla alapuolella olevissa lämpötiloissa on olemassa pakkasvaurioiden vaara.
 - Älä käytä pakkasnestettä. Nämä aineet voivat vahingoittaa kasettikäymälää.
 - Magneettiventtiilin käyttöpaine (vedenpaine) ei saa ylittää 6 baaria. Ylipaine vahingoittaa magneettiventtiiliä.
 - Sähköasennukset täytyy tehdä maakohtaisten ja paikallisten määräysten mukaisesti.
Euroopassa: EN 1645-1, EN 1646-1, EN 1648-1, EN 1648-2.

2.2 Asennusohjeita

Käymälä täytyy periaatteellisesti asentaa niin, että siihen pääsee hyvin käsiksi huoltotöitä tehtäessä, että sen voi irrottaa ja asentaa helposti ja että sen saa ulos ajoneuvosta ilman suurta vaivaa.

3 Käyttötarkoitus

Käymälä on tarkoitettu asennettavaksi ja käytettäväksi vapaa-ajan ajoneuvoissa kuten asuntovaunuissa tai asuntoautoissa.

4 Tekninen kuvaus

Saneo-kasettikäymälä muodostuu ajoneuvon kiinteästi asennetusta käymälästä ja irrotettavasta, liikuteltavasta kasetista, joka toimii septitankkina. Kasettiin pääsee käsiksi ulkopuolelta oven kautta. Mallista riippuen käymälä saa huuhteluvetensä koteloon integroidusta säiliöstä tai ajoneuvon omasta raikasvesisäiliöstä.

Käymälää saa seuraavina malleina:

- **Saneo B, Saneo C:** vapaasti seisova, ilman vesisäiliötä, ilman konsolia
- **Saneo BS, Saneo CS:** vapaasti seisova, ilman vesisäiliötä, konsolilla
- **Saneo BW, Saneo CW:** vapaasti seisova, vesisäiliö konsolissa
- **Saneo BLP, Saneo CLP:** vapaasti seisova, ilman vesisäiliötä, matala konsoli


Saneo C -mallin saa myös jaksotetulla huuhtelulla (optio). Tällöin vettä pumpataan lyhyinä jaksoina wc-pyttyyn paremman huuhtelukastelun ja puhdistustuloksen saavuttamiseksi. Kastelu ja puhdistus riippuvat ajoneuvossa käyttöön asetetusta vesimäärästä.

4.1 Osien kuvaus

Kohta – kuva 1 , sivulla 3	Nimitys
1	Kasettisäiliön kotelo
2	Wc-pyтын tyhjennysluisti
3	Kääntyvä wc-pytty, muovinen tai keraaminen
4	Kansi ja istuin, irrotettava
5	Konsoli
6	Käyttökenttä, jossa täyttömäärän näyttö ja huuhtelu
7	Vain Saneo BW, CW: Integroitu raikasvesisäiliö
8	Vain Saneo BW, CW: Säiliöluukku
9	Kasettisäiliö
10	Huolto-ovi

5 Käymälän asennus

5.1 Huolto-oven asennus

Katso huolto-oven asennusohjeet liitetystä dokumentista ( **Dometic Seitz SK 5**, optio ja malliriippuvainen).

5.2 Reikien tekeminen seinään

Huolto-oven reikä seinässä


► Tee ulkoseinään aukko seuraavilla mitoilla (kuva  **2**, sivulla 3):

- **A:** Huolto-ovi SK5 pystysuora:
 - $Y_{\min} = 12,5 \text{ mm}$, $y_{\max} = 22 \text{ mm}$
 - $b = 310 \text{ mm} \pm 1 \text{ mm}$
 - $h = 360 \text{ mm} \pm 1 \text{ mm}$
- **B:** Huolto-ovi SK5 vaakasuora:
 - $Y_{\min} = 12,5 \text{ mm}$, $y_{\max} = 26 \text{ mm}$
 - $b = 360 \text{ mm} \pm 1 \text{ mm}$
 - $h = 310 \text{ mm} \pm 1 \text{ mm}$

Mitta x saadaan käymälän asennuksen yhteydessä. Huomaa tällöin huolto-oven paikka (sapluuna **(3)** ja **(4)** pakkauksessa).

Säiliöluukun reikä seinässä

Saneo BW - ja CW -malleissa asennetaan integroidun vesisäiliön säiliöluukku.

► Tee sapluunan (kuva  **3** 1, sivulla 4) avulla aukko ulkoseinään. Ohjeessa oleva sapluuna on vahvasti pienennetty kopio. Alkuperäinen löytyy pakkauksesta.

Säiliöluukun asennuskuvauksen löydät kohdasta kap. "Säiliöluukun asentaminen" sivulla 155.

5.3 Käymälän asennus



HUOMAUTUS!

Järjestelmän kaikki osat täytyy asentaa paikkaan, jossa ei ole pakkasta. Nolla alapuolella olevissa lämpötiloissa on olemassa pakkasvaurioiden vaara.

- Asenna käymälä kutakin mallikohtaista kuvausta vastaavasti.
- Kiinnitä käymälä vain pystysuoraan seinään.
- Jätä vähintään 60 mm tilaa sivuseiniin, jotta käymälän yläosan (ja istuimen) kääntöliike ei rajoitu.
- Asennuksen yhteydessä käytettävät mittakaaviot ja sapluunat:
 - **Saneo B, Saneo C:** kuva **4**, sivulla 5
 - **Saneo BS, Saneo CS:** kuva **5**, sivulla 6
 - **Saneo BW, Saneo CW:** kuva **5**, sivulla 6
 - **Saneo BLP, Saneo CLP:** kuva **6**, sivulla 7
 - **Jyrsintämitat:** kuva **7**, sivulla 8
 - **Reiät:** kuva **8**, sivulla 9
 - **Säteet:** kuva **9**, sivulla 10



OHJE

- Jyrsintämittojen, reikien ja säteiden sapluunoita käytettäessä on huomioitava käymälän symmetriapiste (kuva **7** A, sivulla 8, kuva **8** A, sivulla 9, kuva **9** A, sivulla 10)
- Jos käymälä asennetaan suihkutilaan, valmistaja suosittelee käymälän yhdistämistä suihkultaaseen.

5.4 Saneo B, Saneo C -käymälöiden asentaminen

Vapaasti seisovissa malleissa Saneo B, Saneo C ei ole yhdysrakenteista vesisäiliötä. Asenna tämä malli niin, että käymälän käyttölaite, sähköliitännät ja mahdollinen vesisäiliö voidaan sijoittaa sen takana olevalle seinälle. Ihanteellinen ratkaisu on seinän edessä oleva laatikko (kuva **10**, sivulla 11).



OHJE

Kuvassa kuva **10**, sivulla 11 ja kuva **11**, sivulla 11 näkyy esimerkinomaisen asennus suihkultaaseen.

Huomaa, että kasetti työntyy 112 mm ulos kasettikotelosta (kuva **11**, sivulla 11).

- ▶ Aseta rungon pohja (kuva **11** 1, sivulla 11) tasaan huolto-oven asennuskehyyksen (kuva **11** 2, sivulla 11) kanssa niin, että syntyy siisti saumaton liitos.

Saneo B, Saneo C -käymälän kiinnittäminen

- ▶ Aseta käymälä haluttuun paikkaan.
- ▶ Ruuvaa pohjalevy kiinni neljällä ruuvilla (kuva **12** 2, sivulla 12).
- ▶ Aseta peitetulpat paikalleen (kuva **12** 1, sivulla 12).
- ▶ Ruuvaa sitten käymälän runko (maks. 4 ruuvilla, ei ohessa) kiinni seinään (kuva **13**, sivulla 12).



OHJE

Valmistajalta saa 1:1 sapluunat.

- ▶ Työnnä liikuteltava säiliökasetti sisään (kuva **19**, sivulla 15).

Saneo B, Saneo C -käymälän ohjaus- ja käyttökentän asentaminen

Asenna ohjaus- ja käyttökenttä seinään käymälän välittömään läheisyyteen helposti saavutettavaan paikkaan.

- ▶ Tee seinään ohjaus- ja käyttökenttää varten aukko oikeassa mittakaavassa olevalla sapluunalla (kuva **14**, sivulla 13).
- ▶ Yhdistä sähköjohtimet ohjaus- ja käyttökentän liittimiin asentamista varten (kap. "Sähköinen liitäntä" sivulla 156).



HUOMIO!

Takaisin ponnahtavista jousista aiheutuu loukkaantumisvaara!

- ▶ Paina ohjaus- ja käyttökentän pitojouset sisään ja työnnä se seinän aukkoon (kuva **15**, sivulla 14).

5.5 Saneo BW, Saneo CW, Saneo BS, Saneo CS, Saneo BLP, Saneo CLP -käymälöiden asentaminen

Näissä malleissa on seinäliitoskonsoli. Ohjaus- ja käyttökenttä on integroitu seinäliitoskonsoliin.

Malleissa Saneo BW ja Saneo CW on sisäänrakennettu vesisäiliö kun taas malleissa Saneo BS ja Saneo CS ei ole vesisäiliötä.

Aseta kaikki seinäliitoskonsolilla varustetut mallit suoraan takaseinään kiinni (kuva **16**, sivulla 14). Käymälän ja konsolin kiinnittämiseen käytetään etukäteen asennettua seinäpidikettä.

- Ruuvaa seinäpidike vaakasuoraan asentoon seuraavalle korkeudelle (kuva **17**, sivulla 14):

Vaihtoehto A:

Malli	A	B	C	D
Saneo BW, Saneo BS	170 mm	96 mm	645 mm	652 mm
Saneo CW, Saneo CS	170 mm	96 mm	645 mm	652 mm
Saneo BLP, Saneo CLP	170 mm	96 mm	462 mm	469 mm

Vaihtoehto B:

- **Saneo BW, Saneo BS:** h = 661 mm
 - **Saneo CW, Saneo CS:** h = 661 mm
 - **Saneo BLP, Saneo CLP:** h = 478 mm
- Aseta täydellinen käymälämoduuli haluttuun paikkaan seinäpidikkeen eteen.
 - Kohota käymälää ja ripusta kotelo seinäpidikkeeseen (kuva **18**, sivulla 15).
 - Ruuvaa pohjalevy kiinni neljällä ruuvilla (kuva **12** 2, sivulla 12).
 - Aseta peitetulpat paikalleen (kuva **12** 1, sivulla 12).
 - Työnnä liikuteltava säiliökasetti sisään (kuva **19**, sivulla 15).

5.6 Vesiliitäntä



OHJE

Integroidulla vesisäiliöllä varustetuissa Saneo xW -malleissa on tehdasasennettu vesiliitäntä.

- Liitä vedensyöttö sileällä letkuliitännällä (kuva **20** 1, sivulla 16). Liitosholkki ei sisälly toimituskokonaisuuteen.
- Tee tiiviyskoe.



HUOMAUTUS!

Magneettiventtiilin käyttöpaine (vedenpaine) ei saa ylittää 6 baaria. Ylipaine vahingoittaa magneettiventtiiliä.

Litramittaus huuhtelutestistä varten



OHJE

Vedensyöttö (ajoneuvon pumppu):
Käymälä vaatii ajoneuvolta väh. 7 l/min käymälän letkuliitoksen läh-
dössä, jotta riittävä huuhteluteho väh. 5 l/min on taattu.

Litramittaukseen huuhtelutestistä varten on kaksi mahdollisuutta:

Vaihtoehto 1:

- ▶ Irrota käymälän letkuliitos ajoneuvon johdosta.
- ▶ Laita letkun avoin pää ämpäriin.
- ▶ Käytä huuhtelua 1 minuutin ajan käymälän käyttölaitteen avulla.
- ▶ Mittaa ämpäriin valunut vesimäärä.
Ämpäriissä oleva vesimäärä vastaa vesivirtaa l/min.

Vaihtoehto 2:

- ▶ Irrota käymälän letkuliitos ajoneuvon johdosta.
- ▶ Liitä Gardena-vesimittari käymälän vesijohtoon.
- ▶ Käytä huuhtelua käymälän käyttölaitteen avulla.
- ▶ Katso vesivirta l/min Gardena-vesimittarista.

5.7 Säiliöluukun asentaminen

Saneo BW - ja CW -malleissa asennetaan integroidun vesisäiliön säiliöluukku.

- ▶ Tee sapluunalla (kuva **3** 1, sivulla 4) aukko ulkoseinään.
- ▶ Tiivistä säiliöluukku vesitiiviisti (esimerkiksi butyyliimassalla).
- ▶ Aseta säiliöluukku paikalleen säiliöön.
- ▶ Ruuvaa säiliöluukku kiinni neljällä uppokantaruuvilla C4x25 (ei mukana toimituk-
sessa).
- ▶ Vedä O-rengas säiliöluukun sisäputkeen (kuva **24**, sivulla 18):
 - **A:** O-renkaan paikka, kun seinän paksuus on 30 mm – 50 mm
 - **B:** O-renkaan paikka, kun seinän paksuus on 20,5 mm – 30 mm
- ▶ Rasvaa O-rengas. Tämä helpottaa täyttöputken liittämistä säiliön kanteen.

6 Sähköinen liitäntä



VAROITUS!

Ammattilaisen täytyy tehdä sähköinen liitäntä.



HUOMAUTUS!

- Älä kytke käymälää jännitteensyöttöön suoraan rinnan muiden sähkölaitteiden kanssa.
- Älä kytke käymälän ohjausta painevesipumppuun.
- Ulkoisen vesipumpun nimellisteho ei saa olla yli 100 W.



OHJE

- Ulkoinen vesipumppu ei kuulu toimituskokonaisuuteen.
- Esisulake ei ole välttämätön, koska käymälässä on sisäinen sulake.

Selitys - kuva **25**, sivulla 19:

Kohde	Nimitys
1	Saneo
2	Vesipumppu
3	Kytkin
4	Sulake/pääkytkentärasia
5	12 V syöttö




Kosketuskytkin-käyttölaitteen (kuva **26** A, sivulla 20) ja painokytkin-käyttölaitteen (kuva **26** B, sivulla 20) liitinsijoittelu on seuraava:

Kohde	Nimitys
1	5-napainen liitin, jossa kasettisäiliön reed-anturit ja kasetin mikrokytkin
2	Vain Saneo BW, CW: vesisäiliön täyttömäärän uimuri
3	Hyppyjohdin (vain kosketuskytkin-käyttölaite)
4	Vain Saneo B, C, BS, CS, BLP, CLP: venttiilin liitäntä Vain Saneo BW, CW: sisäisen pumpun liitäntä
5	12 V syöttö
6	Sulake (10 A)

- Kytke käymälälle oma jännitesyöttö ajoneuvon pääliitäntärasian kautta (kuva **25**, sivulla 19 ja kuva **26** 5, sivulla 20). Käytä siihen tarkoitettua kaapelia (kuva **27**, sivulla 20):

Paikka / johtimen väri	Nimitys
A	Saneo B, BS, BLP, C, CS, CLP (älä käytä painevesipumpun yhteydessä)
B	Saneo BW, CW
C	Saneo B, BS, BLP, C, CS, CLP painevesipumpulla (Australia)
D	Saneo BW, CW (UK)
ws	Valkoinen johdin, maa (-)
rt	Punainen johdin, syöttö (+)
bl	Sininen johdin, lähtö (+) ohjaus ulkoiselle pumpulle (älä käytä painevesipumpun yhteydessä)

7 Tekniset tiedot

	Dometic Saneo
Syöttöjännite:	12 V $\overline{=}$
Virrankulutus:	maks. 2 A sisäisen pumpun kanssa maks. 10 A ulkoisen pumpun kanssa
Käyttäjän paino maks:	150 kg
Mitat:	ks. kuva 4 , sivulla 5 ... kuva 9 , sivulla 10
Käyttölämpötila:	0 °C ... +50 °C
Tilavuus:	16 l (kasettisäiliö) 7 l (raikasvesisäiliö, optio)
Tarkastusmerkit:	   ECE R 10



OHJE

Vedensyöttö (ajoneuvon pumppu):

Käymälä vaatii ajoneuvolta väh. 7 l/min käymälän letkuliitoksen lähdössä, jotta riittävä huuhteluteho väh. 5 l/min on taattu.

Прочтите данную инструкцию перед монтажом и вводом в эксплуатацию и сохраните ее. В случае передачи продукта передайте инструкцию следующему пользователю.

Оглавление

1	Пояснение к символам	160
2	Указания по технике безопасности	160
2.1	Основные указания по технике безопасности	161
2.2	Указания по монтажу	161
3	Использование по назначению	161
4	Техническое описание	162
4.1	Описание частей	162
5	Установка туалета	163
5.1	Установка сервисной дверцы	163
5.2	Подготовка отверстия в стене	163
5.3	Размещение туалета	164
5.4	Размещение туалетов Saneo B, Saneo C	165
5.5	Размещение туалетов Saneo BW, Saneo CW, Saneo BS, Saneo CS, Saneo BLP, Saneo CLP	166
5.6	Подключение воды	167
5.7	Установка крышки бака	168
6	Подключение к электрической сети	169
7	Технические характеристики	171

1 Пояснение к символам

**ПРЕДУПРЕЖДЕНИЕ!**

Указания по технике безопасности: Несоблюдение может привести к смертельному исходу или тяжелым травмам.

**ОСТОРОЖНО!**

Указания по технике безопасности: Несоблюдение может привести к травмам.

**ВНИМАНИЕ!**

Несоблюдение может привести к повреждениям и нарушить работу продукта.

**УКАЗАНИЕ**

Дополнительная информация по управлению продуктом.

2 Указания по технике безопасности

Изготовитель не несет никакой ответственности за ущерб в следующих случаях:

- Ошибки монтажа или подключения
- Повреждения продукта из-за механических воздействий и перенапряжений
- Изменения в продукте, выполненные без однозначного разрешения изготовителя
- Использование в цепях, отличных от указанных в данной инструкции

Заявление о соответствии предоставляется производителем по запросу (контактная информация указана на обратной стороне).

2.1 Основные указания по технике безопасности



ПРЕДУПРЕЖДЕНИЕ!

- Это устройство может использоваться детьми с 8-ми лет и старше, а также лицами с ограниченными физическими, сенсорными и умственными способностями или при недостатке необходимого опыта и знаний только под присмотром или после прохождения инструктажа по безопасному использованию устройства, если они понимают опасности, которые при этом могут возникнуть.
- Запрещается выполнять очистку и пользовательское техническое обслуживание детям без присмотра.
- За детьми необходимо постоянно следить, чтобы не допускать их игры с устройством.
- Работы по установке туалета разрешается выполнять только лицам со специальной квалификацией.



- Все части системы разрешается устанавливать только в местах, где нет низких температур. Возможно повреждение изделия в результате замерзания жидкостей.
- Не используйте средства для защиты от замерзания. Возможно повреждение кассетного туалета.
- Рабочее давление магнитного клапана (давление воды) не должно превышать 6 бар. При превышении допустимого давления возможно повреждение электромагнитного клапана.
- Подключение к электрическим системам должно производиться с соблюдением действующих национальных и местных регламентов. В Европе: EN 1645-1, EN 1646-1, EN 1648-1, EN 1648-2.

2.2 Указания по монтажу

Туалет установите так, чтобы обеспечить доступ для проведения сервисных работ. Выберите место, в котором можно без усилий снять и установить туалет. Это необходимо на случай, если нужно будет вынести его из автомобиля.

3 Использование по назначению

Это изделие предназначено для установки и использования в туристических транспортных средствах, а также в жилых автомобилях и автобусах.

4 Техническое описание

Кассетные туалеты Saneo состоят из двух частей: стационарной, устанавливаемой в транспортном средстве, и съемной. Съемная часть – это кассета, служащая баком с отходами. Доступ к кассете осуществляется через дверь. В зависимости от модели система смыва работает от бака, встроенного в обшивку, или от цистерны с пресной водой автомобиля.

Предлагаются следующие модели туалетов:

- **Saneo B, Saneo C:** автономный туалет, без бака воды, без консоли
- **Saneo BS, Saneo CS:** автономный туалет, без бака воды, с консолью
- **Saneo BW, Saneo CW:** автономный туалет, с баком воды, встроенным в консоль
- **Saneo BLP, Saneo CLP:** автономный туалет, без бака воды, низкая консоль


Модели Saneo C могут быть дополнительно оснащены системой интервального ополаскивания. Вода накачивается в унитаз короткими толчками, что обеспечивает более высокое качество ополаскивания. Эффективность ополаскивания также зависит от объема воды, имеющегося в транспортном средстве.

4.1 Описание частей

Поз. на рис. 1 , стр. 3	Наименование
1	Обшивка кассетного бака
2	Задвижка опорожнения унитаза
3	Поворотный унитаз из пластика или керамики
4	Крышка и сиденье унитаза, съемные
5	Консоль
6	Панель управления с индикацией уровня воды и ополаскивания
7	Только в Saneo BW, CW: Встраиваемый бак свежей воды
8	Только в Saneo BW, CW: Крышка бака
9	Кассетный бак
10	Сервисная дверца

5 Установка туалета

5.1 Установка сервисной дверцы

Порядок установки сервисной дверцы описан в прилагаемом документе ( **Dometic Seitz SK 5**, как опция предлагается для некоторых моделей).

5.2 Подготовка отверстия в стене

Отверстие в стене для сервисной дверцы

- ▶ Во внешней стене сделайте отверстие со следующими размерами (рис. **2**, стр. 3):
 - **A:** для сервисной дверцы SK5, расположенной вертикально:
 - $y_{\text{мин}} = 12,5 \text{ мм}$, $y_{\text{макс}} = 22 \text{ мм}$
 - $b = 310 \text{ мм} \pm 1 \text{ мм}$
 - $h = 360 \text{ мм} \pm 1 \text{ мм}$
 - **B:** для сервисной дверцы SK5, расположенной горизонтально:
 - $y_{\text{мин}} = 12,5 \text{ мм}$, $y_{\text{макс}} = 26 \text{ мм}$
 - $b = 360 \text{ мм} \pm 1 \text{ мм}$
 - $h = 310 \text{ мм} \pm 1 \text{ мм}$

Величина x определяется после размещения туалета. Учитывайте положение сервисной дверцы (шаблоны **(3)** и **(4)** на упаковке).

Отверстие в стене для крышки бака

В моделях Saneo BW и Saneo CW нужно установить крышку для бака воды.

- ▶ Во внешней стенке подготовьте отверстие по шаблону (рис. **3** 1, стр. 4). Руководство содержит в несколько раз уменьшенный шаблон. Оригинальный шаблон напечатан на упаковке.

Порядок установки крышки бака приводится в гл. «Установка крышки бака» на стр. 168.

5.3 Размещение туалета



ВНИМАНИЕ!

Все части системы разрешается устанавливать только в местах, где нет низких температур. Возможно повреждение изделия в результате замерзания жидкостей.

- Установите туалет в соответствии с указаниями, приведенными в прилагаемой к изделию инструкции.
- Устанавливать туалет только на вертикальную стену. Задняя поверхность туалета должна плотно прилегать к стене.
- Оставьте между туалетом и боковыми стенками ок. 60 мм, чтобы иметь место для поворота верхней части туалета (вместе с сидением).
- Для монтажа используйте чертежи и шаблоны:
 - **Saneo B, Saneo C:** рис. **4**, стр. 5
 - **Saneo BS, Saneo CS:** рис. **5**, стр. 6
 - **Saneo BW, Saneo CW:** рис. **5**, стр. 6
 - **Saneo BLP, Saneo CLP:** рис. **6**, стр. 7
 - **Размерный чертеж:** рис. **7**, стр. 8
 - **Отверстия:** рис. **8**, стр. 9
 - **Радиусы:** рис. **9**, стр. 10



УКАЗАНИЕ

- При использовании шаблонов для размеров, радиусов и отверстий учитывайте точку симметрии туалета (рис. **7** А, стр. 8, рис. **8** А, стр. 9, рис. **9** А, стр. 10)
- При установке туалета в ванной комнате рекомендуется соединить туалет с душевым поддоном.

5.4 Размещение туалетов Saneo B, Saneo C

Автономные туалеты Saneo B и Saneo C не имеют встроенного бака воды. Разместите эти туалеты так, чтобы можно было установить на стенку панель управления, подключить электричество и установить бак с водой. Лучше всего установить коробку между туалетом и стенкой помещения (рис. **10**, стр. 11).



УКАЗАНИЕ

рис. **10**, стр. 11 И рис. **11**, стр. 11 приводится пример установки туалета в душевой поддон.

Учитывайте, что кассета выступает из своей обшивки на 112 мм (рис. **11**, стр. 11).

- Установите основание обшивки (рис. **11** 1, стр. 11) вплотную к монтажной раме сервисной дверцы (рис. **11** 2, стр. 11), в противном случае в щели будет скапливаться грязь.

Крепление туалетов Saneo B, Saneo C

- Установите туалет в выбранном для него месте.
- Привинтите основание четырьмя винтами (рис. **12** 2, стр. 12).
- Наденьте колпачки (рис. **12** 1, стр. 12).
- Затем прикрепите корпус туалета к стенке (не более 4 винта, не входят в комплект) (рис. **13**, стр. 12).



УКАЗАНИЕ

Шаблон 1:1 можно получить у производителя.

- Вставьте съемную кассету (рис. **19**, стр. 15).

Установка панели управления моделей Saneo B, Saneo C

Установите панель управления в стену, в хорошо доступном месте, в непосредственной близости от туалета.

- Для установки панели управления и изготовления отверстия в стене используйте шаблон (рис. **14**, стр. 13, шаблон изображен в масштабе).
- Подсоедините электрические кабели к гнездам панели управления (гл. «Подключение к электрической сети» на стр. 169).

**ОСТОРОЖНО!**

Опасность получения травмы в результате выброса пружины!

- ▶ Установите панель управления в отверстие в стене, сжав пружинные защелки (рис. **15**, стр. 14).

5.5 Размещение туалетов Saneo BW, Saneo CW, Saneo BS, Saneo CS, Saneo BLP, Saneo CLP

Эти модели имеют пристеночную консоль. Панель управления встроена в пристеночную консоль.

Модели Saneo BW и Saneo CW имеют встроенные баки воды, в моделях Saneo BS и Saneo CS баки воды не предусмотрены.

При наличии пристеночной консоли разместите туалет непосредственно рядом со стенкой помещения (рис. **16**, стр. 14). На консоли имеется кронштейн, за который крепится туалет вместе с консолью.

- ▶ Привинтите горизонтально кронштейн на указанной высоте (рис. **17**, стр. 14):

Вариант А:

Модель	A	B	C	D
Saneo BW, Saneo BS	170 мм	96 мм	645 мм	652 мм
Saneo CW, Saneo CS	170 мм	96 мм	645 мм	652 мм
Saneo BLP, Saneo CLP	170 мм	96 мм	462 мм	469 мм

Вариант В:

- **Saneo BW, Saneo BS:** h = 661 мм
 - **Saneo CW, Saneo CS:** h = 661 мм
 - **Saneo BLP, Saneo CLP:** h = 478 мм
- ▶ Поместите собранный модуль туалета в нужном месте перед кронштейном.
 - ▶ Поднимите туалет и зацепите корпус с помощью крючков на кронштейне (рис. **18**, стр. 15).
 - ▶ Привинтите основание четырьмя винтами (рис. **12** 2, стр. 12).
 - ▶ Наденьте колпачки (рис. **12** 1, стр. 12).
 - ▶ Вставьте съемную кассету (рис. **19**, стр. 15).

5.6 Подключение воды



УКАЗАНИЕ

В моделях Saneo xW со встроенным баком воды патрубок для подключения воды уже установлен.

- ▶ Подсоедините источник водоснабжения через гладкий патрубок (рис. 20 1, стр. 16). Соединительная трубка не входит в комплект поставки.
- ▶ Проверьте герметичность.



ВНИМАНИЕ!

Рабочее давление магнитного клапана (давление воды) не должно превышать 6 бар.

При превышении допустимого давления возможно повреждение электромагнитного клапана.

Проверка мощности слива



УКАЗАНИЕ

Водоснабжение (насос со стороны транспортного средства):

Чтобы обеспечить достаточную мощность смыва (не менее 5 л/мин), расход воды на выходном патрубке шланга, ведущего к туалету, должен составлять не менее 7 л/мин.

Мощность слива можно проверить двумя способами:

Способ 1:

- ▶ Отсоедините шланг туалета от трубопровода транспортного средства.
- ▶ Вставьте открытый конец в ведро.
- ▶ Сливайте воду в туалете в течение 1 мин, используя панель управления туалета.
- ▶ Измерьте объем воды в ведре.
Объем воды в ведре равен расходу воды в л/мин.

Способ 2:

- Отсоедините шланг туалета от трубопровода транспортного средства.
- Подсоедините расходомер воды Gardena к водопроводной линии туалета.
- Приведите в действие слив туалета, используя панель управления туалета.
- Прочитайте показания расхода в л/мин на расходомере Gardena.

5.7 Установка крышки бака

В моделях Saneo BW и Saneo CW нужно установить крышку для бака воды.

- Во внешней стенке подготовьте отверстие по шаблону (рис. **3** 1, стр. 4).
- На крышку бака нанесите герметик для защиты от протечек воды (например, бутилкаучук).
- Наденьте крышку на бак.
- Крышку бака привинтите с помощью четырех винтов с потайной головкой С4х25 (приобретаются отдельно).
- Надеть уплотнительное кольцо на внутреннюю трубку крышки бака (рис. **24**, стр. 18):
 - **A:** Положение уплотнительного кольца (толщина стенки 30 мм – 50 мм)
 - **B:** Положение уплотнительного кольца (толщина стенки 20,5 мм – 30 мм)
- Смажьте уплотнительное кольцо, чтобы облегчить подсоединение наполняющего патрубка с верхней частью бака.

6 Подключение к электрической сети



ПРЕДУПРЕЖДЕНИЕ!

Подключение к системе электроснабжения должны производить только специалисты-электрики.



ВНИМАНИЕ!

- Не подключать туалет напрямую к источнику питания параллельно с другими потребителями.
- Блок управления туалета не подсоединять к нагнетательному водяному насосу.
- Не использовать водяные насосы с номинальной мощностью более 100 Вт.



УКАЗАНИЕ

- Внешний водяной насос не входит в комплектацию туалета.
- Входной предохранитель не требуется, так как туалет имеет внутреннюю защиту.

Пояснения к рис. **25**, стр. 19:

Поз. Наименование

- | | |
|---|---|
| 1 | Saneo |
| 2 | Водяной насос |
| 3 | Выключатель |
| 4 | Предохранитель / центральный блок подключения |
| 5 | Электроснабжение 12 В |

Схема подключения сенсорной (рис. 26 А, стр. 20) и кнопочной панели управления (рис. 26 В, стр. 20):

Поз. Наименование




- | | |
|---|---|
| 1 | 5-полюсный контакт для герконового датчика кассетного бака и микропереключателя кассеты |
| 2 | Только в Saneo BW, CW: Поплавковый индикатор уровня воды в водяном баке |
| 3 | Переключатель (только в сенсорной панели управления) |
| 4 | Только в Saneo B, C, BS, CS, BLP, CLP: Подключение клапана
Только в Saneo BW, CW: Подключение внутреннего насоса |
| 5 | Электроснабжение 12 В |
| 6 | Предохранитель (10 А) |

- Подсоедините туалет к собственному источнику питания через центральную систему электроснабжения транспортного средства (рис. 25, стр. 19 и рис. 26 5, стр. 20). Используйте соответствующий кабель (рис. 27, стр. 20):

Поз./цвет кабеля Наименование

A	Saneo B, BS, BLP, C, CS, CLP (не использовать при эксплуатации с нагнетательным водяным насосом)
B	Saneo BW, CW
C	Saneo B, BS, BLP, C, CS, CLP с нагнетательным водяным насосом (Австралия)
D	Saneo BW, CW (Великобритания)
ws	Белый кабель, масса (-)
rt	Красный кабель, вход (+)
bl	Синий кабель, выход (+) управляющий кабель для внешнего насоса (не использовать при эксплуатации с нагнетательным водяным насосом)

7 Технические характеристики

	Dometic Saneo
Напряжение питания:	12 В=
Потребляемый ток:	макс. 2 А при использовании с внутренним насосом макс. 10 А при использовании с внешним насосом
Макс. вес человека:	150 кг
Размеры:	см. рис. 4 , стр. 5 до рис. 9 , стр. 10
Рабочая температура:	от 0 °С до +50 °С
Емкость:	16 л (кассетный бак) 7 л (бак со свежей водой, опция)
Знак технического контроля:	   ECE R 10



УКАЗАНИЕ

Водоснабжение (насос со стороны транспортного средства):
Чтобы обеспечить достаточную мощность смыва (не менее 5 л/мин),
расход воды на выходном патрубке шланга, ведущего к туалету, дол-
жен составлять не менее 7 л/мин.

Przed instalacją i uruchomieniem urządzenia należy uważnie przeczytać niniejszą instrukcję. Instrukcję należy zachować. W razie przekazywania urządzenia należy ją udostępnić kolejnemu nabywcy.

Spis treści

1	Objaśnienie symboli	173
2	Wskazówki bezpieczeństwa	173
2.1	Podstawowe zasady bezpieczeństwa	174
2.2	Wskazówki dotyczące montażu	174
3	Użytkowanie zgodne z przeznaczeniem	174
4	Opis techniczny	175
4.1	Opis komponentów	175
5	Montaż toalety	176
5.1	Montaż drzwi serwisowych	176
5.2	Wykonanie wycięcia w ścianie	176
5.3	Ustawianie toalety	177
5.4	Ustawianie toalety Saneo B, Saneo C	177
5.5	Ustawianie toalety Saneo BW, Saneo CW, Saneo BS, Saneo CS, Saneo BLP, Saneo CLP	179
5.6	Przyłącze wody	179
5.7	Montaż pokrywy zbiornika	181
6	Podłączenie elektryczne	181
7	Dane techniczne	184

1 Objąśnienie symboli

**OSTRZEŻENIE!**

Wskazówka dot. bezpieczeństwa: Nieprzestrzeganie może prowadzić do śmierci lub ciężkich obrażeń ciała.

**OSTROŻNIE!**

Wskazówka dot. bezpieczeństwa: Nieprzestrzeganie może prowadzić do obrażeń ciała.

**UWAGA!**

Nieprzestrzeganie może prowadzić do powstania szkód materialnych i zakłóceń w działaniu produktu.

**WSKAZÓWKA**

Informacje uzupełniające dot. obsługi produktu.

2 Wskazówki bezpieczeństwa

Producent nie odpowiada za szkody spowodowane:

- błędami powstałymi w trakcie montażu lub podłączania
- uszkodzeniem produktu w sposób mechaniczny lub spowodowany przeciążeniami elektrycznymi
- zmianami dokonanyymi w produkcie bez wyraźnej zgody producenta
- użytkowaniem w celach innych niż opisane w niniejszej instrukcji

Deklarację zgodności można otrzymać od producenta (informacje o kontakcie na tylnej stronie).

2.1 Podstawowe zasady bezpieczeństwa



OSTRZEŻENIE!

- Dzieci od 8. roku życia i osoby o ograniczonych możliwościach fizycznych, sensorycznych lub intelektualnych oraz osoby niedysponujące stosowną wiedzą i doświadczeniem mogą użytkować to urządzenie jedynie pod nadzorem innej osoby bądź uzyskania od niej informacji dotyczących bezpiecznego użytkowania i wynikających z tego zagrożeń.
- Nie mogą one również czyścić i konserwować go bez nadzoru.
- Należy dopilnować, aby dzieci nie bawiły się urządzeniem.
- Toaletę może montować tylko przeszkolony personel.



- Wszystkie komponenty systemu muszą zostać zamontowane w obszarach wolnych od mrozu. W przypadku ujemnych temperatur istnieje niebezpieczeństwo uszkodzenia przez mróz.
- Nie stosować środków zapobiegających zamarzaniu, gdyż mogą one uszkodzić toaletę kasetową.
- Ciśnienie robocze (ciśnienie wody) zaworu magnetycznego nie może przekraczać 6 bar. Zwiększone ciśnienie spowoduje uszkodzenie zaworu magnetycznego.
- Instalacja elektryczna musi spełniać przepisy krajowe i lokalne. W Europie: EN 1645-1, EN 1646-1, EN 1648-1, EN 1648-2.

2.2 Wskazówki dotyczące montażu

Toaletę należy zamontować zasadniczo w taki sposób, żeby zapewnić łatwy dostęp w celu wykonania prac konserwacyjnych, ułatwić jej demontaż i montaż oraz żeby można ją było bez trudu wyciągnąć z pojazdu.

3 Użytkowanie zgodne z przeznaczeniem

Ta toaleta jest przeznaczona do montażu i użytku w pojazdach kempingowych lub kamperach.

4 Opis techniczny

Toaleta kasetowa Saneo składa się z zamontowanej na stałe w pojeździe toalety i wyjmowanej, przenośnej kasety, będącej zbiornikiem sanitarnym. Kasetą jest dostępna od zewnątrz poprzez drzwi. W zależności od modelu woda płuczcząca do toalety doprowadzana jest ze zbiornika zamontowanego w obudowie lub ze zbiornika wody pojazdu.

Dostępne są następujące wersje toalety:

- **Saneo B, Saneo C:** wolnostojąca, bez zbiornika na wodę, bez konsoli
- **Saneo BS, Saneo CS:** wolnostojąca, bez zbiornika na wodę, z konsolą
- **Saneo BW, Saneo CW:** wolnostojąca, ze zbiornikiem na wodę w konsoli
- **Saneo BLP, Saneo CLP:** wolnostojąca, bez zbiornika na wodę, niska konsola


Modele Saneo C mogą być wyposażone w funkcję spłukiwania przerywanego (opcja). W trakcie jej działania woda jest pompowana do muszli krótkimi partiami w celu uzyskania lepszego efektu spłukiwania i czystości. Spłukiwanie i czyszczenie zależy od dostępnej w pojeździe ilości wody.

4.1 Opis komponentów

Poz. na rys. 1 , strona 3	Nazwa
1	Obudowa zbiornika kasetowego
2	Zasuwa opróżniania muszli toalety
3	Muszla toalety obrotowa, tworzywo sztuczne lub ceramika
4	Pokrywa i deska, zdejmowane
5	Konsola
6	Panel obsługi ze wskaźnikiem poziomu napełnienia i spłuczka
7	Tylko Saneo BW, CW: Zintegrowany zbiornik na wodę
8	Tylko Saneo BW, CW: Pokrywa zbiornika
9	Zbiornik kasetowy
10	Drzwi serwisowe

5 Montaż toalety

5.1 Montaż drzwi serwisowych

Opis sposobu montażu drzwi serwisowych znajduje się w dołączonym dokumencie ( **Dometic Seitz SK 5**, opcja i zależnie od modelu).

5.2 Wykonanie wycięcia w ścianie

Wycięcie w ścianie na drzwi serwisowe

- ▶ Wykonać w ścianie zewnętrznej otwór o następujących wymiarach (rys. **2**, strona 3):
 - **A:** dla drzwi serwisowych SK5 pionowych:
 - $y_{\min} = 12,5 \text{ mm}$, $y_{\max} = 22 \text{ mm}$
 - $b = 310 \text{ mm} \pm 1 \text{ mm}$
 - $h = 360 \text{ mm} \pm 1 \text{ mm}$
 - **B:** dla drzwi serwisowych SK5 poziomych:
 - $y_{\min} = 12,5 \text{ mm}$, $y_{\max} = 26 \text{ mm}$
 - $b = 360 \text{ mm} \pm 1 \text{ mm}$
 - $h = 310 \text{ mm} \pm 1 \text{ mm}$

Wymiar x powstaje przez ustawienie toalety. Należy przy tym uwzględnić pozycję drzwi serwisowych (szablon **(3)** i **(4)** na opakowaniu).

Wycięcie w ścianie na klapę zbiornika

W przypadku modeli Saneo BW i Saneo CW zamontować klapę dla zintegrowanego zbiornika wody.

- ▶ Przy użyciu szablonu (rys. **3** 1, strona 4) wykonać otwór w ścianie zewnętrznej. Szablon w instrukcji obsługi jest bardzo zmniejszony. Oryginał, patrz opakowanie.

Opis montażu klapy zbiornika znajduje się w rozdz. „Montaż pokrywy zbiornika” na stronie 181.

5.3 Ustawianie toalety



UWAGA!

Wszystkie komponenty systemu muszą zostać zamontowane w obszarach wolnych od mrozu. W przypadku ujemnych temperatur istnieje niebezpieczeństwo uszkodzenia przez mróz.

- Toaletę należy zamontować zgodnie z opisem dla danej wersji modelu.
- Toaletę należy przystawić przyległe do pionowej ściany.
- Zachować minimalną odległość od ścian bocznych 60 mm, aby nie ograniczać przechylenia górnej części toalety (z deską).
- Do montażu zastosować rysunki wymiarowe i szablony:
 - **Saneo B, Saneo C:** rys. **4**, strona 5
 - **Saneo BS, Saneo CS:** rys. **5**, strona 6
 - **Saneo BW, Saneo CW:** rys. **5**, strona 6
 - **Saneo BLP, Saneo CLP:** rys. **6**, strona 7
 - **Wymiary frezowania:** rys. **7**, strona 8
 - **Otwory:** rys. **8**, strona 9
 - **Promienie:** rys. **9**, strona 10



WSKAZÓWKA

- W przypadku szablonów do frezowania, wiercenia i tworzenia kątów należy uwzględnić punkt symetrii toalety (rys. **7** A, strona 8, rys. **8** A, strona 9, rys. **9** A, strona 10)
- W przypadku montażu toalety w łazience producent zaleca połączenie jej z brodzikiem prysznicza.

5.4 Ustawianie toalety Saneo B, Saneo C

Wolnostojący model Saneo B, Saneo C nie posiada wbudowanego zbiornika na wodę. Ten model ustawić w taki sposób, aby w znajdującej się za nim ścianie było możliwe umieszczenie panelu obsługi toalety, przyłączy elektrycznych i ew. zbiornika na wodę. Najlepiej w tym celu umieścić przed ścianą konstrukcję skrzyniową (rys. **10**, strona 11).



WSKAZÓWKA

rys. **10**, strona 11 i rys. **11**, strona 11 przedstawiają przykładowy montaż w brodzika.

Należy pamiętać, że kaseata wystaje z obudowy kaseaty na 112 mm (rys. **11**, strona 11).

- ▶ Dno obudowy (rys. **11** 1, strona 11) przyłożyć przyległe do ramy montażowej drzwi serwisowych (rys. **11** 2, strona 11) w taki sposób, aby powstało czyste połączenie bez szczeliny.

Mocowanie toalety Saneo B, Saneo C

- ▶ Ustawić toaletę w żądanym miejscu.
- ▶ Przykręcić płytę podłogowa czterema śrubami (rys. **12** 2, strona 12).
- ▶ Włożyć nakładki (rys. **12** 1, strona 12).
- ▶ Następnie przykręcić obudowę toalety (maks. 4, niedołączonymi do zestawu, śrubami) do ściany (rys. **13**, strona 12).



WSKAZÓWKA

Szablon 1:1 dostępny u producenta.

- ▶ Wsunąć przesuwalną kasetę zbiornika (rys. **19**, strona 15).

Montaż panelu kontrolnego i obsługi toalety Saneo B, Saneo C

Panel kontroli i obsługi zamontować w łatwo dostępnym miejscu w ścianie bezpośrednio przy toalecie.

- ▶ Za pomocą odpowiednio zeskalowanego szablonu (rys. **14**, strona 13) wykonać otwór w ścianie na panel kontroli i obsługi.
- ▶ Podłączyć przewody elektryczne ze złączami w celu montażu panelu kontroli i obsługi (rozdz. „Podłączenie elektryczne” na stronie 181).



OSTROŻNIE!

Niebezpieczeństwo skaleczenia przez odskakujące sprężyny!

- ▶ Wcisnąć sprężyny mocujące panel kontroli i obsługi i wsunąć go w wycięcie w ścianie (rys. **15**, strona 14).

5.5 Ustawianie toalety Saneo BW, Saneo CW, Saneo BS, Saneo CS, Saneo BLP, Saneo CLP

Te modele posiadają konsolę przyłączenia do ściany. Panel kontroli i obsługi jest wbudowany w konsolę przyłączenia do ściany.

Modele Saneo BW i Saneo CW posiadają zamontowany zbiornik na wodę, a w modelach Saneo BS i Saneo CS brak zbiornika na wodę.

Wszystkie modele z konsolą przyłączenia do ściany ustawiać bezpośrednio przy ścianie działowej (rys. 16, strona 14). Do przymocowania toalety i konsoli służy zamocowany wcześniej uchwyt ścienny.

- ▶ Przykręcić uchwyt ścienny poziomo na następującej wysokości (rys. 17, strona 14):

Wersja A:

Model	A	B	C	D
Saneo BW, Saneo BS	170 mm	96 mm	645 mm	652 mm
Saneo CW, Saneo CS	170 mm	96 mm	645 mm	652 mm
Saneo BLP, Saneo CLP	170 mm	96 mm	462 mm	469 mm

Wersja B:

- **Saneo BW, Saneo BS:** h = 661 mm
- **Saneo CW, Saneo CS:** h = 661 mm
- **Saneo BLP, Saneo CLP:** h = 478 mm
- ▶ Ustawić kompletny moduł toalety w żądanej pozycji przed uchwytem ściennym.
- ▶ Unieść toaletę i zaczepić obudowę na uchwyt ścienny (rys. 18, strona 15).
- ▶ Przykręcić płytę podłogową czterema śrubami (rys. 12 2, strona 12).
- ▶ Włożyć nakładki (rys. 12 1, strona 12).
- ▶ Wsunąć przesuwalną kasetę zbiornika (rys. 19, strona 15).

5.6 Przyłącze wody



WSKAZÓWKA

W przypadku modeli Saneo xW ze zintegrowanym zbiornikiem na wodę przyłącze wody jest zamontowane fabrycznie.

- ▶ Przyłączyć przyłącze wody poprzez gładkie przyłącze węzowe (rys. 20 1, strona 16). Tuleja przyłączeniowa nie znajduje się w zestawie.
- ▶ Sprawdzić szczelność.

**UWAGA!**

Ciśnienie robocze (ciśnienie wody) zaworu magnetycznego nie może przekraczać 6 bar.
Zwiększone ciśnienie spowoduje uszkodzenie zaworu magnetycznego.

Pomiar przepływu dla testu wydajności spłukiwania**WSKAZÓWKA**

Doprowadzanie wody (pompa pojazdu):
Toaleta wymaga przepływu min. 7 l/min na wylocie przyłącza węża toalety dla zapewnienia podczas płukania wystarczającego przepływu 5 l/min.

Pomiar przepływu dla testu wydajności spłukiwania przeprowadzany jest na dwa sposoby:

Sposób 1:

- ▶ Odłączyć wąż toalety od przewodu pojazdu.
- ▶ Otwarty koniec przewodu umieścić w wiadrze.
- ▶ Poprzez panel obsługi toalety włączyć spłukiwanie przynajmniej na 1 minutę.
- ▶ Zmierzyć ilość wody w wiadrze.
Ilość wody w wiadrze odpowiada przepływowi wody w l/min.

Sposób 2:

- ▶ Odłączyć wąż toalety od przewodu pojazdu.
- ▶ Podłączyć przepływomierz Gardena do przewodu wody toalety.
- ▶ Poprzez panel obsługi toalety włączyć spłukiwanie.
- ▶ Odczytać wartość przepływu w l/min na przepływomierzu Gardena.

5.7 Montaż pokrywy zbiornika

W przypadku modeli Saneo BW i Saneo CW zamontować klapę dla zintegrowanego zbiornika wody.

- ▶ Przy użyciu szablonu (rys. **3** 1, strona 4) wykonać otwór w ścianie zewnętrznej.
- ▶ Klapę zbiornika należy uszczelnić, zapewniając jej wodoszczelność (np. butylokauczukiem).
- ▶ Nałożyć klapę na zbiornik.
- ▶ Przykręcić klapę czterema śrubami z łbami wpuszczanymi C4x25 (nie dołączone do zestawu).
- ▶ Nasunąć o-ring na rurę wewnętrzną klapy zbiornika (rys. **24**, strona 18):
 - **A:** Pozycja o-ringa przy grubościach ścian 30 mm – 50 mm
 - **B:** Pozycja o-ringa przy grubościach ścian 20,5 mm – 30 mm
- ▶ Nasmarować o-ring. Dzięki temu można łatwo połączyć króciec wlewowy z górną częścią zbiornika.

6 Podłączenie elektryczne



OSTRZEŻENIE!

Podłączenie elektryczne musi wykonać specjalistyczny personel.



UWAGA!

- Nie podłączać toalety bezpośrednio do zasilania elektrycznego równoległe do innych odbiorników.
- Nie podłączać sterownika toalety do ciśnieniowej pompy wodnej.
- Moc znamionowa zewnętrznej pompy wodnej nie może przekraczać 100 W.



WSKAZÓWKA

- Zewnętrzna pompa wodna nie znajduje się w zestawie.
- Nie jest wymagany bezpiecznik wstępny, ponieważ toaleta jest zabezpieczona wewnętrznie.

Legenda do rys. 25, strona 19:

Poz.	Nazwa
1	Saneo
2	Pompa wody
3	Przetąacznik
4	Skrzynka bezpieczników/główna skrzynka przyłączeniowa
5	Zasilanie 12 V




Obłożenie panelu obsługi Touch-Switch (rys. 26 A, strona 20) i panelu obsługi Tact-Switch (rys. 26 B, strona 20) jest następujące:

Poz.	Nazwa
1	5-biegunowe przyłącze czujników reed zbiornika kasetowego i mikrowyłącznika kasety
2	Tylko Saneo BW, CW: Pływakowy wskaźnik napętnienia zbiornika wody
3	Zworka (tylko panel obsługi Touch-Switch)
4	Tylko Saneo B, C, BS, CS, BLP, CLP: Przyłącze zaworu Tylko Saneo BW, CW: Przyłącze pompy wewnętrznej
5	Zasilanie 12 V
6	Bezpiecznik (10 A)

- Podłączyć toaletę poprzez główny blok podłączania pojazdu do własnego źródła zasilania elektrycznego (rys. 25, strona 19 i rys. 26 5, strona 20). Użyć do tego odpowiedniego kabla (rys. 27, strona 20):

Poz./kolor kabla	Nazwa
A	Saneo B, BS, BLP, C, CS, CLP (nie używać w przypadku zastosowania ciśnieniowej pompy wodnej)
B	Saneo BW, CW
C	Saneo B, BS, BLP, C, CS, CLP z ciśnieniową pompą wodną (Australia)
D	Saneo BW, CW (UK)
ws	Biały kabel, masa (-)
rt	Czerwony kabel, wejście (+)
bl	Niebieski kabel, wyjście (+) Przewód sterujący do pompy zewnętrznej (nie używać w przypadku zastosowania ciśnieniowej pompy wodnej)

7 Dane techniczne

	Dometic Saneo
Napięcie zasilające:	12 V $\overline{=}$
Pobór prądu:	maks. 2 A przy pompie wewnętrznej maks. 10 A przy pompie zewnętrznej
Maks. ciężar osoby korzystającej:	150 kg
Wymiary:	patrz rys. 4 , strona 5 do rys. 9 , strona 10
Temperatura robocza:	0 °C do +50 °C
Pojemności zbiorników:	16 l (zbiornik kasetowy) 7 l (zbiornik na wodę, opcja)
Znak kontrolny:	   ECE R 10



WSKAZÓWKA

Doprowadzanie wody (pompa pojazdu):

Toaleta wymaga przepływu min. 7 l/min na wylocie przyłącza węża toalety dla zapewnienia podczas płukania wystarczającego przepływu 5 l/min.

Pred montážou a uvedením do prevádzky si prosím pozorne prečítajte tento návod a odložte si ho. V prípade odovzdania výrobku ďalšiemu používateľovi mu odovzdajte aj tento návod.

Obsah

1	Vysvetlenie symbolov	186
2	Bezpečnostné pokyny	186
2.1	Základy bezpečnosti	187
2.2	Montážne pokyny	187
3	Používanie na stanovený účel	187
4	Technický opis	188
4.1	Opis komponentov	188
5	Montáž toalety	189
5.1	Montáž servisných dvierok	189
5.2	Vytvorenie stenových výrezov	189
5.3	Postavenie toalety	190
5.4	Postavenie toalety Saneo B, Saneo C	190
5.5	Inštalácia toalety Saneo BW, Saneo CW, Saneo BS, Saneo CS, Saneo BLP, Saneo CLP	192
5.6	Pripojenie vody	193
5.7	Montáž klapky nádrže	194
6	Elektrické pripojenie	194
7	Technické údaje	197

1 Vysvetlenie symbolov

**VÝSTRAHA!**

Bezpečnostný pokyn: Nerešpektovanie môže viesť k smrti alebo k ťažkému zraneniu.

**UPOZORNENIE!**

Bezpečnostný pokyn: Nerešpektovanie môže viesť k zraneniam.

**POZOR!**

Nerešpektovanie môže viesť k materiálnym škodám a môže ovplyvniť funkciu zariadenia.

**POZNÁMKA**

Doplňujúce informácie k obsluhu výrobku.

2 Bezpečnostné pokyny

Výrobca v nasledujúcich prípadoch nepreberá za škody žiadnu záruku:

- Chyby montáže alebo pripojenia
- Poškodenia produktu mechanickými vplyvmi a prepätiami
- Zmeny produktu bez vyjadreného povolenia výrobcu
- Použitie na iné účely ako sú účely uvedené v návode

Vyhlasenie o zhode si môžete vyžiadať od výrobcu (kontaktné informácie nájdete na zadnej strane).

2.1 Základy bezpečnosti



VÝSTRAHA!

- Toto zariadenie smú používať deti od 8 rokov a osoby so zníženými psychickými, zmyslovými alebo mentálnymi schopnosťami a vedomosťami, keď sú pod dozorom alebo keď boli poučené o bezpečnom používaní prístroja a keď chápu, aké riziká z toho vyplývajú.
- Čistenie a bežnú údržbu nesmú deti vykonávať bez dozoru.
- Deti by nemali zostávať bez dozoru, aby bolo isté, že sa s prístrojom, nebudú hrať.
- Montáž toalety smie vykonať len školený odborný personál.



- Všetky komponenty systému musia byť namontované na nemrznúcom mieste. Pri mínusových teplotách hrozí nebezpečenstvo poškodenia vplyvom mrazu.
- Nepoužívajte žiadne prostriedky na ochranu proti mrazu. Tieto prostriedky môžu poškodiť kazetovú toaletu.
- Prevádzkový tlak (tlak vody) magnetického ventilu nesmie prekročiť 6 barov. Magnetický ventil sa nadmerným tlakom poškodí.
- Elektrická inštalácia musí byť vykonaná podľa národných a miestnych predpisov.
V Európe: EN 1645-1, EN 1646-1, EN 1648-1, EN 1648-2.

2.2 Montážne pokyny

Toalety musí byť zásadne nainštalovaná tak, aby bola dobre prístupná pre údržbové práce, dala sa ľahko vymontovať a zabudovať a bolo ju možné bez veľkej námahy vybrať z vozidla.

3 Používanie na stanovený účel

Toaleta je určená pre montáž a použitie vo vozidlách na voľných čas ako obytné vozidlá alebo karavany.

4 Technický opis

Kazetová toaleta Saneo pozostáva z toalety, pevne namontovanej vo vozidle, a vyberateľnej, pojazdnej kazety ako odpadovej nádrže. Kazeta je prístupná zvonku cez dvere. V závislosti od modelu je toaleta zásobovaná splachovacou vodou z nádrže integrovanej v telese alebo z nádrže na čerstvú vodu vo vozidle.

Existujú nasledujúce modely toalety:

- **Saneo B, Saneo C:** voľne stojaca, bez nádrže na vodu, bez konzoly
- **Saneo BS, Saneo CS:** voľne stojaca, bez nádrže na vodu, s konzolou
- **Saneo BW, Saneo CW:** voľne stojaca, s nádržou na vodu v konzole
- **Saneo BLP, Saneo CLP:** voľne stojaca, bez nádrže na vodu, nízka konzola


Modely Saneo C môžu byť vybavené intervalovým splachovaním (voliteľné). Pritom je voda v krátkych dávkach pumpovaná do toaletnej misy, aby sa dosiahlo lepšie zmáčanie splachovaním a očistenie. Zmáčanie a očistenie závisí od množstva vody, ktoré je k dispozícii vo vozidle.

4.1 Opis komponentov

Pol. na obr. 1 , strane 3	Označenie
1	Skriňa pre kazetovú nádrž
2	Vyprázdňovací posúvač pre toaletnú misu
3	Plastová alebo keramická toaletná misa, otáčateľná
4	Veko a sedátko, odnímateľné
5	Konzola
6	Ovládací panel s indikátorom výšky hladiny a splachovaním
7	Len Saneo BW, CW: Integrovaná nádrž na čerstvú vodu
8	Len Saneo BW, CW: Klapka nádrže
9	Kazetová nádrž
10	Servisné dvierka

5 Montáž toalety

5.1 Montáž servisných dvierok

Opis montáže servisných dvierok nájdete v priloženom dokumente ( **Dometic Seitz SK 5**, voliteľne a v závislosti od modelu).

5.2 Vytvorenie stenových výrezov

Stenový výrez pre servisné dvierka

► Vytvorte otvor do vonkajšej steny s nasledujúcimi rozmermi (obr. **2**, strane 3):

- **A:** pre servisné dvierka SK5 vertikálne:
 - $y_{\min} = 12,5 \text{ mm}$, $y_{\max} = 22 \text{ mm}$
 - $b = 310 \text{ mm} \pm 1 \text{ mm}$
 - $h = 360 \text{ mm} \pm 1 \text{ mm}$
- **B:** pre servisné dvierka SK5 horizontálne:
 - $y_{\min} = 12,5 \text{ mm}$, $y_{\max} = 26 \text{ mm}$
 - $b = 360 \text{ mm} \pm 1 \text{ mm}$
 - $h = 310 \text{ mm} \pm 1 \text{ mm}$

Rozmer x dostaneme inštaláciou toalety. Dbajte pritom na polohu servisných dvierok (šablóna **(3)** a **(4)** na obale).

Stenový výrez pre klapku nádrže

U modelov Saneo BW a Saneo CW namontujte klapku nádrže pre integrovanú nádrž na vodu.

► Pomocou šablóny (obr. **3** 1, strane 4) vytvorte otvor do vonkajšej steny. Šablóna v návode je veľmi zmenšená. Originálnu šablónu nájdete na obale.

Opis montáže klapky nádrže nájdete v kap. „Montáž klapky nádrže“ na strane 194.

5.3 Postavenie toalety



POZOR!

Všetky komponenty systému musia byť namontované na nemrznúcom mieste. Pri mínusových teplotách hrozí nebezpečenstvo poškodenia vplyvom mrazu.

- Namontujte toaletu podľa opisu k príslušnému vyhotoveniu modelu.
- Toaletu inštalujte len tak, aby tesne priliehala k zvislej stene.
- Nechajte minimálne 60 mm voľného miesta k bočným stenám, aby nebolo obmedzené otáčanie horného dielu toalety (so sedátkom).
- Pre montáž použite rozmerové výkresy a šablóny:
 - **Saneo B, Saneo C:** obr. **4**, strane 5
 - **Saneo BS, Saneo CS:** obr. **5**, strane 6
 - **Saneo BW, Saneo CW:** obr. **5**, strane 6
 - **Saneo BLP, Saneo CLP:** obr. **6**, strane 7
 - **Frézované rozmery:** obr. **7**, strane 8
 - **Vyvítané otvory:** obr. **8**, strane 9
 - **Polomery:** obr. **9**, strane 10



POZNÁMKA

- Pri šablónach pre frézované rozmery, vyvítané otvory a polomery dbajte na bod súmernosti toalety (obr. **7** A, strane 8, obr. **8** A, strane 9, obr. **9** A, strane 10)
- Pri montáži toalety v sanitárnej bunke výrobca odporúča, aby ste toaletu spojili so sprchovou vaničkou.

5.4 Postavenie toalety Saneo B, Saneo C

Voľne stojaci model Saneo B, Saneo C nedisponuje integrovanou vodnou nádržkou. Tento model nainštalujte tak, aby stena, ktorá sa nachádza za ním, mohla pojať ovládací diel toalety, elektrické pripojenia a prípadne vodnú nádržku. K tomu je ideálne umiestniť skrinku pred stenu (obr. **10**, strane 11).



POZNÁMKA

obr. **10**, strane 11 a obr. **11**, strane 11 znázorňujú príkladnú montáž v sprchovacej vaničke.

Dbajte na to, aby kazeta vyčnievala zo skrinky kazety o 112 mm (obr. **11**, strane 11).

- Umiestnite dno skrine (obr. **11** 1, strane 11) tesne priliehajúc k montážnemu rámu servisných dvierok (obr. **11** 2, strane 11) tak, aby vznikol čistý prechod bez medzery.

Upevnenie toalety Saneo B, Saneo C

- Postavte toaletu na požadované miesto.
- Podlahovú platňu pevne priskrutkujte pomocou štyroch skrutiek (obr. **12** 2, strane 12).
- Nasadte krycie uzávery (obr. **12** 1, strane 12).
- Potom pevne priskrutkujte teleso toalety (s maximálne 4 skrutkami, nie sú súčasťou dodávky) k stene (obr. **13**, strane 12).



POZNÁMKA

Šablónu 1:1 dostanete u svojho predajcu.

- Zasuňte pojazdnú kazetu nádrže (obr. **19**, strane 15).

Montáž kontrolného a ovládacieho panela toalety Saneo B, Saneo C

Kontrolný a ovládací panel namontujte do steny na dobre prístupnom mieste v bezprostrednej blízkosti toalety.

- Pre kontrolný a ovládací panel vytvorte do steny otvor pomocou šablóny v súlade s mierkou (obr. **14**, strane 13).
- Pripojte elektrické káble k spojкам pre montáž kontrolného a ovládacieho panela (kap. „Elektrické pripojenie“ na strane 194).



UPOZORNENIE!

Hrozí nebezpečenstvo poranenia vyskakujúcimi pružinami!

- Stlačte prídržné pružiny kontrolného a ovládacieho panela a zasuňte ho do stenového výrezu (obr. **15**, strane 14).

5.5 Inštalácia toalety Saneo BW, Saneo CW, Saneo BS, Saneo CS, Saneo BLP, Saneo CLP

Tieto modely disponujú prípojnou nástennou konzolou. Kontrolný a ovládací panel je integrovaný v prípojnej nástennej konzole.

Modely Saneo BW a Saneo CW disponujú zabudovanou vodnou nádržkou, zatiaľ čo modely Saneo BS a Saneo CS ňou nedisponujú.

Nainštalujte všetky modely s prípojnou nástennou konzolou priamo k stene miestnosti (obr. 16, strane 14). Na upevnenie toalety a konzoly slúži vopred namontovaný nástenný držiak.

- Nástenný držiak naskrutkujte vodorovne v nasledujúcej výške (obr. 17, strane 14):

Variant A:

Model	A	B	C	D
Saneo BW, Saneo BS	170 mm	96 mm	645 mm	652 mm
Saneo CW, Saneo CS	170 mm	96 mm	645 mm	652 mm
Saneo BLP, Saneo CLP	170 mm	96 mm	462 mm	469 mm

Variant B:

- **Saneo BW, Saneo BS:** h = 661 mm
 - **Saneo CW, Saneo CS:** h = 661 mm
 - **Saneo BLP, Saneo CLP:** h = 478 mm
- Umiestnite kompletný modul toalety do požadovanej polohy pred nástenný držiak.
 - Zdvihnite toaletu a zaháknite teleso do nástenného držiaka (obr. 18, strane 15).
 - Podlahovú platňu pevne priskrutkujte pomocou štyroch skrutiek (obr. 12 2, strane 12).
 - Nasadte krycie uzávery (obr. 12 1, strane 12).
 - Zasuňte pojazdnú kazetu nádrže (obr. 19, strane 15).

5.6 Pripojenie vody



POZNÁMKA

U modelov Saneo xW s integrovanou vodnou nádržkou je vodovodná prípojka namontovaná zo závodu.

- Zapojte prívod vody pomocou hladkej hadicovej prípojky (obr. **20** 1, strane 16). Pripojovacia objímka nie je súčasťou dodávky.
- Vykonajte kontrolu tesnosti.



POZOR!

Prevádzkový tlak (tlak vody) magnetického ventilu nesmie prekročiť 6 barov.
Magnetický ventil sa nadmerným tlakom poškodí.

Litrovanie pre test splachovacieho výkonu



POZNÁMKA

Prívod vody (čerpadlo na strane vozidla):
Toaleta si zo strany vozidla vyžaduje min. 7 litrov za minútu na výstupe hadicovej prípojky toalety, aby bol zaručený splachovací výkon min. 5 l/min.

Pre litrovanie kvôli testu splachovacieho výkonu existujú dva varianty:

Variant 1:

- Odpojte hadicové spojenie toalety od vedenia na strane vozidla.
- Zaveste otvorený koniec vedenia do vedra.
- Na ovládacom dieli toalety aktivujte na 1 minútu splachovanie.
- Zmerajte množstvo vody vo vedre.
Množstvo vody vo vedre zodpovedá prietoku vody v l/min.

Variant 2:

- Odpojte hadicové spojenie toalety od vedenia na strane vozidla.
- Pripojte prietokomer Gardena k vodovodnému vedeniu toalety.
- Na ovládacom dieli toalety aktivujte splachovanie.
- Na prietokomeri Gardena odčítajte prietok vody v l/min.

5.7 Montáž klapky nádrže

U modelov Saneo BW a Saneo CW namontujte klapku nádrže pre integrovanú nádrž na vodu.

- ▶ Pomocou šablóny (obr. **3** 1, strane 4) vytvorte otvor do vonkajšej steny.
- ▶ Vodotesne utesnite klapku nádrže (napr. butylkaučuk).
- ▶ Nasadte klapku nádrže na nádrž.
- ▶ Klapku nádrže pevne priskrutkujte štyrmi skrutkami so zápusťou hlavou C4x25 (nie sú súčasťou rozsahu dodávky).
- ▶ Nasuňte O-krúžok na vnútornú rúrku klapky nádrže (obr. **24**, strane 18):
 - **A:** Pozícia O-krúžku pri hrúbkach steny 30 mm – 50 mm
 - **B:** Pozícia O-krúžku pri hrúbkach steny 20,5 mm – 30 mm
- ▶ Namažte O-krúžok. Vďaka tomu je možné plniace hrdlo ľahko spojiť s horným dielom nádrže.

6 Elektrické pripojenie



VÝSTRAHA!

Elektrické pripojenie musí vykonať odborný personál.



POZOR!

- Toaletu nepripájať priamo paralelne k ostatným spotrebičom k napájaniu elektrickým napätím.
- Ovládanie toalety nepripájajte ku tlakovému vodnému čerpadlu.
- Menovitý výkon externého vodného čerpadla nesmie prekročiť 100 W.



POZNÁMKA

- Externé vodné čerpadlo nie je súčasťou dodávky.
- Predradené istenie nie je potrebné, pretože toaleta disponuje internou poistkou.

Legenda k obr. **25**, strane 19:

Poz. Označenie	
1	Saneo
2	Vodné čerpadlo
3	Spínač
4	Poistková skrinka/hlavná svorkovnicová skrinka
5	Napájanie 12 V




Umiestnenie dotykového spínača ovládacieho panela (obr. **26** A, strane 20) a mechanického spínača ovládacieho panela (obr. **26** B, strane 20) je nasledovné:

Poz. Označenie	
1	5-pólová prípojka pre impulzné snímače Reed kazetovej nádrže a mikropsínač kazety
2	Len Saneo BW, CW: Indikátor výšky hladiny s plavákom vodnej nádržky
3	Prepínač (len ovládací panel s dotykovým spínačom)
4	Len Saneo B, C, BS, CS, BLP, CLP: Ventil prípojky Len Saneo BW, CW: Pripojenie externého čerpadla
5	Napájanie 12 V
6	Poistka (10 A)

- Pripojte toaletu cez hlavný svorkovnicový blok vozidla k vlastnému napájaniu elektrickým prúdom (obr. 25, strane 19 a obr. 26 5, strane 20). Použite na to príslušný kábel (obr. 27, strane 20):

Poz./farba kábla	Označenie
A	Saneo B, BS, BLP, C, CS, CLP (nepoužívajte pri použití tlakového vodného čerpadla)
B	Saneo BW, CW
C	Saneo B, BS, BLP, C, CS, CLP s tlakovým vodným čerpadlom (Austrália)
D	Saneo BW, CW (UK)
ws	Biely kábel, uzemnenie (-)
rt	Červený kábel, vstup (+)
bl	Modrý kábel, výstup (+) Ovládací kábel pre externé čerpadlo (nepoužívajte pri použití tlakového vodného čerpadla)

7 Technické údaje

	Dometic Saneo
Napájacie napätie:	12 V $\overline{=}$
Odber prúdu:	max. 2 A pri internom čerpadle max. 10 A pri externom čerpadle
Max. hmotnosť osoby:	150 kg
Rozmery:	pozri obr. 4 , strane 5 až obr. 9 , strane 10
Prevádzková teplota:	0 °C až +50 °C
Objem:	16 l (kazetová nádrž) 7 l (nádrž na čerstvú vodu, voliteľná)
Skúšobná značka:	   ECE R 10



POZNÁMKA

Prívod vody (čerpadlo na strane vozidla):
Toaleta si zo strany vozidla vyžaduje min. 7 litrov za minútu na výstupe hadicovej prípojky toalety, aby bol zaručený splachovací výkon min. 5 l/min.

Před zahájením instalace a uvedením do provozu si pečlivě přečtěte tento návod a uschovejte jej. V případě dalšího prodeje výrobku předejte návod novému uživateli.

Obsah

1	Vysvětlivky symbolů	199
2	Bezpečnostní pokyny	199
2.1	Základní bezpečnost	200
2.2	Pokyny k montáži	200
3	Použití v souladu se stanoveným účelem	200
4	Technický popis	201
4.1	Popis součástí	201
5	Montáž toalety	202
5.1	Montáž servisních dvířek	202
5.2	Zhotovení výřezů ve stěně	202
5.3	Instalace toalety	202
5.4	Instalace toalety Saneo B, Saneo C	203
5.5	Instalace toalety Saneo BW, Saneo CW, Saneo BS, Saneo CS, Saneo BLP, Saneo CLP	204
5.6	Vodní přípojka	205
5.7	Montáž klapky nádrže	206
6	Elektrické připojení	207
7	Technické údaje	209

1 Vysvětlivky symbolů

**VÝSTRAHA!**

Bezpečnostní pokyny: Následkem nedodržení pokynů mohou být smrtelná nebo vážná zranění.

**UPOZORNĚNÍ!**

Bezpečnostní pokyny: Následkem nedodržení mohou být úrazy.

**POZOR!**

Nedodržení pokynů může mít za následek hmotné škody a narušení funkce výrobku.

**POZNÁMKA**

Doplňující informace týkající se obsluhy výrobku.

2 Bezpečnostní pokyny

V následujících případech nepřebírá výrobce žádné záruky za škody:

- Chybná montáž nebo chybné připojení
- Poškození výrobku působením mechanických vlivů a přepětí
- Změna výrobku bez výslovného souhlasu výrobce
- Použití k jiným účelům, než jsou popsány v tomto návodu

Prohlášení o shodě si lze vyžádat u výrobce (kontaktní informace na zadní straně).

2.1 Základní bezpečnost



VÝSTRAHA!

- Tento přístroj mohou používat děti od 8 let a osoby se sníženými fyzickými, smyslovými nebo duševními schopnostmi, nebo osoby s nedostatkem zkušeností a znalostí, pokud budou pod dozorem, nebo pokud byly poučeny o bezpečném použití přístroje a rozumějí nebezpečím, které z použití výrobku vyplývají.
- Čištění a běžnou údržbu nesmějí provádět děti bez dozoru.
- Děti musejí být pod dohledem tak, aby si s výrobkem nehrály.
- Montáž toalety musí být prováděna vyškoleným personálem.



- Všechny součásti systému je nutné instalovat v oblastech, kde se nevyskytuje mráz. Při teplotách pod bodem mrazu hrozí riziko poškození mrazem.
- Nepoužívejte nemrznoucí kapalinu. Tyto látky mohou poškodit kasetovou toaletu.
- Provozní tlak (tlak vody) magnetického ventilu nesmí být vyšší než 6 bar. Magnetický ventil se nadměrným tlakem poškodí.
- Elektrická instalace musí být provedena v souladu s vnitrostátními a místními předpisy.
V Evropě: EN 1645-1, EN 1646-1, EN 1648-1, EN 1648-2.

2.2 Pokyny k montáži

Toaletu je v zásadě nutné instalovat tak, aby byla snadno přístupná pro servisní práce, bylo ji možné snadno demontovat a namontovat a bez velkého úsilí z vozidla vyjmout.

3 Použití v souladu se stanoveným účelem

Toaleta je určena pro instalaci a používání v rekreačních vozidlech, jako jsou obytné přívěsy nebo obytná vozidla.

4 Technický popis

Kazetová toaleta Saneo sestává z toalety pevně instalované ve vozidle a odnímatelné, pojízdné kazety jako nádrže na odpadní vodu. Kazeta je zvenčí přístupná přes dveře. Podle modelu je toaleta napájena splachovací vodou z nádrže integrované v krytu nebo nádrže čerstvé vody na straně vozidla.

K dispozici jsou následující provedení modelů toalety:

- **Saneo B, Saneo C:** samostatné, bez vodní nádrže, bez konzoly
- **Saneo BS, Saneo CS:** samostatné, bez vodní nádrže, s konzolou
- **Saneo BW, Saneo CW:** samostatné, s vodní nádrží v konzole
- **Saneo BLP, Saneo CLP:** samostatné, bez vodní nádrže, nízká konzola


Modely Saneo C lze vybavit intervalovým splachováním (volitelně). V tomto případě je voda čerpána do záchodové mísy v krátkých impulzech, aby se dosáhlo lepšího smáčení při splachování a čištění. Smáčení a čištění závisí na množství vody dostupné ve vozidle.

4.1 Popis součástí

Poz. na obr. 1 , strana 3	Název
1	Kryt na kazetovou nádrž
2	Vypouštěcí šoupátko pro toaletní mísu
3	Otočná toaletní mísa z plastu nebo keramiky
4	Víko a sedák, odnímatelný
5	Konzola
6	Ovládací panel s ukazatelem hladiny a splachováním
7	Pouze Saneo BW, CW: Integrovaná nádrž čerstvé vody
8	Pouze Saneo BW, CW: Klapka nádrže
9	Kazetová nádrž
10	Servisní dvířka

5 Montáž toalety

5.1 Montáž servisních dvířek

Popis montáže servisních dvířek naleznete v příloženém dokumentu ( **Dometic Seitz SK 5**, volitelně a v závislosti na modelu).

5.2 Zhotovení výřezů ve stěně

Výřez ve stěně pro servisní dvířka

- ▶ Zhotovte otvor ve vnější stěně s následujícími rozměry (obr. **2**, strana 3):
 - **A:** pro servisní dvířka SK5 vertikální:
 - $y_{\min} = 12,5 \text{ mm}$, $y_{\max} = 22 \text{ mm}$
 - $b = 310 \text{ mm} \pm 1 \text{ mm}$
 - $h = 360 \text{ mm} \pm 1 \text{ mm}$
 - **B:** servisní dvířka SK5 horizontální:
 - $y_{\min} = 12,5 \text{ mm}$, $y_{\max} = 26 \text{ mm}$
 - $b = 360 \text{ mm} \pm 1 \text{ mm}$
 - $h = 310 \text{ mm} \pm 1 \text{ mm}$

Rozměr x vyplývá z instalace toalety. Přitom dbejte na polohu servisních dvířek (šablona **(3)** a **(4)** na obalu).

Výřez ve stěně pro klapku nádrže

U modelů Saneo BW a Saneo CW namontujte klapku nádrže pro integrovanou vodní nádrž.

- ▶ Pomocí šablony (obr. **3** 1, strana 4) zhotovte otvor ve vnější stěně. Šablona v návodu je výrazně zmenšená. Originál viz obal.

Popis montáže klapky nádrže naleznete v kap. „Montáž klapky nádrže“ na straně 206.

5.3 Instalace toalety



POZOR!

Všechny součásti systému je nutné instalovat v oblastech, kde se nevyskytuje mraz. Při teplotách pod bodem mrazu hrozí riziko poškození mrazem.

- Toaletu namontujte v souladu s popisem k příslušnému provedení modelu.
- Toaletu instalujte pouze na svislou stěnu v zarovnané poloze.
- Ponechejte prostor alespoň 60 mm od bočních stěn, aby nebylo omezeno otáčení horní části toalety (se sedátkem).
- K montáži použijte rozměrové náčrtky a šablony:
 - **Saneo B, Saneo C:** obr. **4**, strana 5
 - **Saneo BS, Saneo CS:** obr. **5**, strana 6
 - **Saneo BW, Saneo CW:** obr. **5**, strana 6
 - **Saneo BLP, Saneo CLP:** obr. **6**, strana 7
 - **Rozměry frézování:** obr. **7**, strana 8
 - **Vrtání:** obr. **8**, strana 9
 - **Poloměry:** obr. **9**, strana 10



POZNÁMKA

- U šablon pro rozměry frézování, otvory a poloměry dbejte bodu souměrnosti toalety (obr. **7** A, strana 8, obr. **8** A, strana 9, obr. **9** A, strana 10)
- Při montáži toalety v sanitárním zařízení doporučuje výrobce kombinovat toaletu se sprchovou vanou.

5.4 Instalace toalety Saneo B, Saneo C

Samostatný model Saneo B, Saneo C není vybaven integrovanou vodní nádrží. Tento model instalujte tak, aby za ním umístěná stěna mohla pojmout ovladač toalety, elektrické přípojky a případně i vodní nádrž. K tomu je ideální umístit skříň před stěnu místnosti (obr. **10**, strana 11).



POZNÁMKA

obr. **10**, strana 11 a obr. **11**, strana 11 znázorňují příklad montáže do sprchové vany.

Dbejte na to, aby kazeta vyčnívala 112 mm z krytu kazety (obr. **11**, strana 11).

- Dno krytu (obr. **11** 1, strana 11) umístěte zarovnané s montážním rámem servisních dvířek (obr. **11** 2, strana 11), aby vznikl čistý přechod bez mezery.

Upevnění toalety Saneo B, Saneo C

- Toaletu instalujte v požadované poloze.
- Základovou desku přišroubujte čtyřmi šrouby (obr. **12** 2, strana 12).
- Nasadte krytky (obr. **12** 1, strana 12).
- Poté přišroubujte kryt toalety (maximálně 4 šrouby, nepřibalené) ke stěně (obr. **13**, strana 12).



POZNÁMKA

Šablona 1:1 k dispozici u výrobce.

- Zasuňte pojízdnou kazetu nádrže (obr. **19**, strana 15).

Montáž kontrolního a ovládacího panelu toalety Saneo B, Saneo C

Kontrolní a ovládací panel zabudujte na dobře dostupném místě ve stěně v bezprostřední blízkosti toalety.

- Pro kontrolní a ovládací panel zhotovte ve stěně otvor pomocí šablony podle měřítka (obr. **14**, strana 13).
- Při montáži kontrolního a ovládacího panelu propojte elektrické kabely na spojích (kap. „Elektrické připojení“ na straně 207).



UPOZORNĚNÍ!

Hrozí nebezpečí zranění odskakujícími pružinami!

- Zatlačte přídržné pružiny kontrolního a ovládacího panelu a zasuňte jej do výřezu ve stěně (obr. **15**, strana 14).

5.5 Instalace toalety Saneo BW, Saneo CW, Saneo BS, Saneo CS, Saneo BLP, Saneo CLP

Tyto modely jsou vybaveny nástěnnou instalační konzolou. Kontrolní a ovládací panel je zabudován v nástěnné instalační konzole.

Modely Saneo BW a Saneo CW jsou vybavené zabudovanou vodní nádrží, přičemž modely Saneo BS a Saneo CS jsou bez vodní nádrže.

Všechny modely s nástěnnou instalační konzolou instalujte přímo na stěnu v místnosti (obr. **16**, strana 14). K upevnění toalety a konzoly slouží dříve upevněný nástěnný držák.

- Nástěnný držák našroubujte vodorovně v následující výšce (obr. **17**, strana 14):
Varianta A:

Model	A	B	C	D
Saneo BW, Saneo BS	170 mm	96 mm	645 mm	652 mm
Saneo CW, Saneo CS	170 mm	96 mm	645 mm	652 mm
Saneo BLP, Saneo CLP	170 mm	96 mm	462 mm	469 mm

Varianta B:

- **Saneo BW, Saneo BS:** h = 661 mm
 - **Saneo CW, Saneo CS:** h = 661 mm
 - **Saneo BLP, Saneo CLP:** h = 478 mm
- Celý modul toalety přemístěte do požadované polohy před nástěnným držákem.
- Zvedněte toaletu a zahákněte kryt do nástěnného držáku (obr. **18**, strana 15).
- Základovou desku přišroubujte čtyřmi šrouby (obr. **12** 2, strana 12).
- Nasadte krytky (obr. **12** 1, strana 12).
- Zasuňte pojízdnou kazetu nádrže (obr. **19**, strana 15).

5.6 Vodní přípojka



POZNÁMKA

U modelů Saneo xW s integrovanou vodní nádrží je vodní přípojka namontovaná z výroby.

- Přívod vody připojte přes hladkou hadicovou přípojku (obr. **20** 1, strana 16). Připojovací objímka není součástí dodávky.
- Proveďte kontrolu těsnosti.



POZOR!

Provozní tlak (tlak vody) magnetického ventilu nesmí být vyšší než 6 bar. Magnetický ventil se nadměrným tlakem poškodí.

Měření objemu pro test výkonu splachování



POZNÁMKA

Přívod vody (čerpadlo na straně vozidla):
Toaleta vyžaduje na straně vozidla min. průtok 7 l/min na výstupu z hadicové přípojky toalety, aby byl zaručen výkon splachování min. 5 l/min.

K měření objemu pro test výkonu splachování existují dvě varianty:

Varianta 1:

- Odpojte hadicovou spojku toalety od vedení na straně vozidla.
- Otevřený konec vedení zavěste do kbelíku.
- Na ovladači toalety aktivujte na 1 min splachování.
- Změřte množství vody, které se nachází v kbelíku.
Množství vody, které se nachází v kbelíku, odpovídá průtoku vody v l/min.

Varianta 2:

- Odpojte hadicovou spojku toalety od vedení na straně vozidla.
- Připojte průtokoměr Gardena k vodovodnímu potrubí toalety.
- Na ovladači toalety aktivujte splachování.
- Odečtěte průtok vody v l/min na průtokoměru Gardena.

5.7 Montáž klapky nádrže

U modelů Saneo BW a Saneo CW namontujte klapku nádrže pro integrovanou vodní nádrž.

- Pomocí šablony (obr. **3** 1, strana 4) zhotovte otvor ve vnější stěně.
- Klapku nádrže utěsněte proti vodě (např. butylkaučukem).
- Klapku nádrže nasuňte na nádrž.
- Klapku nádrže přišroubujte čtyřmi šrouby se zapuštěnou hlavou C4x25 (nejsou v obsahu dodávky).

- O-kroužek nasuňte na vnitřní trubku klapky nádrže (obr. **24**, strana 18):
 - **A:** Poloha O-kroužku při tloušťce stěny 30–50 mm
 - **B:** Poloha O-kroužku při tloušťce stěny 20,5–30 mm
- Namažte O-kroužek. Tak lze plnicí hrdlo snadno spojit s horním dílem nádrže.

6 Elektrické připojení



VÝSTRAHA!

Elektrické připojení musí provést odborník.



POZOR!

- Toaletu nepřipojujte k napájení přímo paralelně s jinými spotřebiči.
- Řízení toalety nepřipojujte k tlakovému vodnímu čerpadlu.
- Jmenovitý výkon externího vodního čerpadla nesmí překročit 100 W.



POZNÁMKA

- Externí vodní čerpadlo není součástí dodávky.
- Vstupní pojistka není nutná, protože toaleta je jištěna uvnitř.

Legenda k obr. **25**, strana 19:

Poz.	Název
1	Saneo
2	Vodní čerpadlo
3	Spínač
4	Pojistková / hlavní připojovací skříň
5	Napájení 12 V




Osazení ovladače Touch Switch (obr. **26** A, strana 20) a Tact Switch (obr. **26** B, strana 20) zní takto:

Poz.	Název
1	5 pólová přípojka pro snímače s Reed kontaktem kazetové nádrže a mikrospínač kazety
2	Pouze Saneo BW, CW: Plovákový ukazatel hladiny ve vodní nádrži
3	Jumper (pouze ovladač Touch Switch)
4	Pouze Saneo B, C, BS, CS, BLP, CLP: Přípojka ventilu Pouze Saneo BW, CW: Přípojka interního čerpadla
5	Napájení 12 V
6	Pojistka (10 A)

- Toaletu připojte přes hlavní připojovací blok vozidla k vhodnému napájení (obr. **25**, strana 19 a obr. **26** 5, strana 20). K tomu použijte odpovídající kabel (obr. **27**, strana 20):

Pol./barva kabelu	Název
A	Saneo B, BS, BLP, C, CS, CLP (nepoužívat při použití tlakového vodního čerpadla)
B	Saneo BW, CW
C	Saneo B, BS, BLP, C, CS, CLP s tlakovým vodním čerpadlem (Austrálie)
D	Saneo BW, CW (UK)
ws	Bílý kabel, kostra (-)
rt	Červený kabel, vstup (+)
bl	Modrý kabel, výstup (+) řídící vedení pro externí čerpadlo (nepoužívat při použití tlakového vodního čerpadla)

7 Technické údaje

	Dometic Saneo
Napájecí napětí:	12 V $\overline{=}$
Příkon proudu:	max. 2 A s vnitřním čerpadlem max. 10 A s externím čerpadlem
Maximální nosnost:	150 kg
Rozměry:	viz obr. 4 , strana 5 až obr. 9 , strana 10
Provozní teplota:	0 °C až +50 °C
Obsah:	16 l (kazetová nádrž) 7 l (nádrž čerstvé vody, volitelně)
Kontrolní značka:	   ECE R 10



POZNÁMKA

Přívod vody (čerpadlo na straně vozidla):
Toaleta vyžaduje na straně vozidla min. průtok 7 l/min na výstupu z hadicové přípojky toalety, aby byl zaručen výkon splachování min. 5 l/min.

Beépítés és üzembe vétel előtt gondosan olvassa el és őrizze meg ezt a használati útmutatót. Ha a terméket továbbadja, mellékelje hozzá a használati útmutatót is.

Tartalomjegyzék

1 Szimbólumok magyarázata	211
2 Biztonsági tudnivalók	211
2.1 Alapvető biztonság	212
2.2 Beépítési útmutatások	212
3 Rendeltetésszerű használat	212
4 Műszaki leírás	213
4.1 A komponensek leírása	213
5 A vécé beépítése	214
5.1 A szervizajtó beépítése	214
5.2 Falkivágások elkészítése	214
5.3 A vécé felállítása	215
5.4 A Saneo B, Saneo C vécék felállítása	215
5.5 A Saneo BW, Saneo CW, Saneo BS, Saneo CS, Saneo BLP, Saneo CLP modellek felállítása	217
5.6 Vízcsatlakozás	217
5.7 A tartály-csapófedél beépítése	219
6 Elektromos csatlakoztatás	219
7 Műszaki adatok	222

1 Szimbólumok magyarázata

**FIGYELMEZTETÉS!**

Biztonsági tudnivaló: Az utasítás figyelmen kívül hagyása halált vagy súlyos sérülést okozhat.

**VIGYÁZAT!**

Biztonsági tudnivaló: Az utasítás figyelmen kívül hagyása sérüléseket okozhat.

**FIGYELEM!**

Ha nem veszi figyelembe az információt, az anyagkárosodást eredményezhet, és káros kihatással lehet a termék működésére.

**MEGJEGYZÉS**

Kiegészítő információk a termék kezelésével kapcsolatosan.

2 Biztonsági tudnivalók

A gyártó a bekövetkező károkért a következő esetekben nem vállal felelősséget:

- szerelési vagy csatlakozási hiba
- a termék mechanikai behatások és túlfeszültségek miatti sérülése
- a termék kifejezett gyártói engedély nélküli módosítása
- az útmutatóban leírt céloktól eltérő felhasználás

A megfelelőségi nyilatkozat a gyártónál igényelhető (a kapcsolatfelvételi adatok a hátoldalon találhatóak).

2.1 Alapvető biztonság



FIGYELMEZTETÉS!

- A készüléket 8 év feletti gyermekek, valamint korlátozott fizikai, érzékelési és mentális képességű, illetve megfelelő tapasztalattal és tudással nem rendelkező személyek csak felügyelet mellett, illetve a készülék biztonságos használatát és az abból eredő veszélyeket megértve használhatják.
- A tisztítást és a felhasználói karbantartást gyermekek felügyelet nélkül nem végezhetik.
- A gyermekek felügyeletével biztosítani kell, hogy ne játszhassanak a készülékkel.
- A vécé beépítését csak képzett szakszemélyzet végezheti el.



- A rendszer összes komponenség fagyvédett helyre kell beszerelni. Nulla fok alatti hőmérsékletek esetén a fagy kárt tehet a berendezésben.
- Ne használjon fagyálló szereket. Ezek a szerek károsíthatják a kazettás vécét.
- A mágnesszelep üzemi nyomása (víznyomás) nem haladhatja meg a 6 bar-t. A túl nagy nyomás károsíthatja a mágnesszelepet.
- Az elektromos telepítést a nemzeti és helyi törvényi előírásoknak megfelelően kell elvégezni.
Európában: EN 1645-1, EN 1646-1, EN 1648-1, EN 1648-2.

2.2 Beépítési útmutatások

A vécét alapvetően úgy kell beépíteni, hogy szervizelési munkák esetén jól hozzáférhető legyen, könnyen el lehessen végezni ki-, és beszerelését, és nagyobb energiárfordítás nélkül el lehessen távolítani a járműből.

3 Rendeltetésszerű használat

A vécé olyan szabadidős járművekbe való beépítésre alkalmas, mint például a lakókocsi, vagy lakóautók.

4 Műszaki leírás

A Saneo kazettás vécé egy a jármű belső terébe telepített vécéből, és egy kivehető, mozgatható kazettából áll, mely utóbbi a szennyvíz tartály feladatát látja el. A kazettához kívülről egy ajtón keresztül lehet hozzáférni. Modelltől függően a vécé egy a házba integrált tartályból, vagy a jármű frissvíz-tartályából kapja az öblítővizet.

A vécének a következő modellváltozatai léteznek:

- **Saneo B, Saneo C:** rögzített, víztartály nélkül, konzol nélkül
- **Saneo BS, Saneo CS:** rögzített, víztartály nélkül, konzollal
- **Saneo BW, Saneo CW:** rögzített, a konzolban lévő víztartállyal
- **Saneo BLP, Saneo CLP:** rögzített, víztartály nélkül, alacsony konzollal

A Saneo C-modelleket fel lehet szerelni intervallumöblítéssel (opcionális). Ennek során a berendezés kis adagokban vizet szivattyúz a vécécészébe, a tisztításhoz kedvezőbb nedvességi viszonyokat teremtve ezáltal. A nedvesítés és a tisztítás a járműben rendelkezésre álló vízmennyiségtől függ.

4.1 A komponensek leírása

Tétel 1. ábra, 3. oldal	Megnevezés
1	Kazettás tartály háza
2	Vécécésze öblítőkapcsolója
3	Műanyag, vagy kerámia vécécésze, forgatható
4	Fedél és ülőke, levehető
5	Tartó
6	Kezelőmező töltöttségjelzővel és öblítővel
7	Csak a Saneo BW, CW modelleknél: Integrált frissvíztartály
8	Csak a Saneo BW, CW modelleknél: Tartály-csapófedél
9	Kazettás tartály
10	Szervizajtó

5 A vécé beépítése

5.1 A szervizajtó beépítése

A szervizajtó beépítésének leírását a mellékelt dokumentációban találhatja meg (📖 **Dometic Seitz SK 5**, opcionális és modelltől függő).

5.2 Falkivágások elkészítése

Szervizajtó falkivágása

- ▶ Készítse el a következő méretekkel rendelkező nyílást a külső falba (2. ábra, 3. oldal):
 - **A:** SK5 függőleges szervizajtóhoz:
 - $y_{\min} = 12,5 \text{ mm}$, $y_{\max} = 22 \text{ mm}$
 - $b = 310 \text{ mm} \pm 1 \text{ mm}$
 - $h = 360 \text{ mm} \pm 1 \text{ mm}$
 - **B:** SK5 vízszintes szervizajtóhoz:
 - $y_{\min} = 12,5 \text{ mm}$, $y_{\max} = 26 \text{ mm}$
 - $b = 360 \text{ mm} \pm 1 \text{ mm}$
 - $h = 310 \text{ mm} \pm 1 \text{ mm}$

Az x méret a vécé felállításából adódik. Ennek során vegye figyelembe a szervizajtó helyzetét (3) és (4) sablonok a csomagoláson).

A tartály-csapófedél falkivágása

A Saneo BW és Saneo CW modellek esetében szereljen fel egy tartály-csapóajtót a beépített víztartályra.

- ▶ A sablonnal (3. ábra 1, 4. oldal) készítsen egy nyílást a külső falba. Az útmutatóban lévő sablon erősen le van kicsinyítve. Az eredetit a csomagolásban találhatja meg.

A tartály-csapófedél beszerelés leírását itt találhatja meg: „A tartály-csapófedél beépítése” fej., 219. oldal.

5.3 A vécé felállítása



FIGYELEM!

A rendszer összes komponenség fagyvédezt helyre kell beszerezni. Nulla fok alatti hőmérsékletek esetén a fagy kárt tehet a berendezésben.

- A vécét az adott modell leírásának megfelelően építse be.
- A vécét kizárólag függőleges falhoz szorosan illeszkedve állítsa fel.
- Annak érdekében, hogy a vécé felső részének (üléssel) billentése ne legyen korlátozva, az oldalsó falaktól hagyjon legalább 60 mm szabad helyet.
- A beépítéshez használja a méretrajzokat és a sablonokat:
 - **Saneo B, Saneo C:** **4.** ábra, 5. oldal
 - **Saneo BS, Saneo CS:** **5.** ábra, 6. oldal
 - **Saneo BW, Saneo CW:** **5.** ábra, 6. oldal
 - **Saneo BLP, Saneo CLP:** **6.** ábra, 7. oldal
 - **Marási méretek:** **7.** ábra, 8. oldal
 - **Furatok:** **8.** ábra, 9. oldal
 - **Sugarak:** **9.** ábra, 10. oldal



MEGJEGYZÉS

- A marási méret, furatok és sugarak sablonnál vegye figyelembe a vécé szimmetria középpontját (**7.** ábra A, 8. oldal, **8.** ábra A, 9. oldal, **9.** ábra A, 10. oldal)
- A vécé vizesblokkba történő beépítésekor a gyártó azt javasolja, hogy kösse össze a vécét a zuhanytálcával.

5.4 A Saneo B, Saneo C vécék felállítása

A Saneo B, Saneo C szabadon álló modell nem rendelkezik integrált víztartállyal. Úgy állítsa fel a modellt, hogy a mögötte lévő falra fel lehessen erősíteni a vécé kezelő részét, az elektromos csatlakozásokat és esetleg egy víztartályt. Ehhez ideális megoldás, ha egy dobozt helyez el a helyiség fala elé (**10.** ábra, 11. oldal).



MEGJEGYZÉS

10. ábra, 11. oldal és **11.** ábra, 11. oldalaz ábra a zuhanytálcával történő közös beépítést szemlélteti.

Vegye figyelembe, hogy a kazetta 112 mm kinyúlik a kazettaházból (11. ábra, 11. oldal).

- ▶ A ház padlózatát (11. ábra 1, 11. oldal) szorosan illessze hozzá a szervizajtó szerelőkeretéhez (11. ábra 2, 11. oldal) úgy, hogy a kettő között rés nélküli folytonos átmenet legyen.

A Saneo B, Saneo C modellek rögzítése

- ▶ A kívánt helyen állítsa fel a vécét.
- ▶ A négy csavarral húzza meg a fenéklemezt (12. ábra 2, 12. oldal).
- ▶ Helyezze be a kupakokat (12. ábra 1, 12. oldal).
- ▶ Ezt követően a vécé házát (maximum 4 csavarral, nincs mellékelve) csavarozza rá a falra (13. ábra, 12. oldal).



MEGJEGYZÉS

Az 1:1 arányú sablon a gyártónál szerezhető be.

- ▶ Tolja be a mozgatható tartálykazettát (19. ábra, 15. oldal).

A Saneo B, Saneo C modellek vezérlő-, és kezelőpanelének beépítése

A vezérlő-, és kezelőpanel a vécé közvetlen közelében, egy kényelmesen elérhető helyen erősítse fel a falra.

- ▶ A mérethű sablonnal (14. ábra, 13. oldal) készítsen el egy nyílást a falon a vezérlő-, és kezelőpanel számára.
- ▶ A vezérlő-, és kezelőpanel beépítéséhez csatlakoztassa az elektromos kábeleket az összekapcsolóelemekhez („Elektromos csatlakoztatás” fej., 219. oldal).



VIGYÁZAT!

A visszaugró rugók sérülésveszélyt jelentenek!

- ▶ Nyomja be a vezérlő-, és kezelőpanel tartórugóit és tolja be a panelt a falkivágásba (15. ábra, 14. oldal).

5.5 A Saneo BW, Saneo CW, Saneo BS, Saneo CS, Saneo BLP, Saneo CLP modellek felállítása

Ezek a modellek fali csatlakozókonzzal rendelkeznek. A vezérlő-, és kezelőpanel integrálva van a fali csatlakozókonzolda.

A Saneo BW és Saneo CW modellek beépített víztartállyal rendelkeznek, míg a Saneo BS és Saneo CS modellek nem rendelkeznek víztartállyal.

A fali csatlakozókonzzal rendelkező modelleket közvetlenül a helyiség falához állítsa (16. ábra, 14. oldal). A vécé és a konzol rögzítésére egy előre felszerelt fali tartóelem szolgál.

- ▶ A fali tartót vízszintesen csavarozza fel a következő magasságba (17. ábra, 14. oldal):

A-változat:

Modell	A	B	C	D
Saneo BW, Saneo BS	170 mm	96 mm	645 mm	652 mm
Saneo CW, Saneo CS	170 mm	96 mm	645 mm	652 mm
Saneo BLP, Saneo CLP	170 mm	96 mm	462 mm	469 mm

B-változat:

- **Saneo BW, Saneo BS:** h = 661 mm
 - **Saneo CW, Saneo CS:** h = 661 mm
 - **Saneo BLP, Saneo CLP:** h = 478 mm
- ▶ A kívánt helyzetben állítsa a teljes vécémodult a fali tartóelem elé.
 - ▶ Emelje meg a vécét és a házat akassza rá a fali tartóelemre (18. ábra, 15. oldal).
 - ▶ A négy csavarral húzza meg a fenéklemeszt (12. ábra 2, 12. oldal).
 - ▶ Helyezze be a kupakokat (12. ábra 1, 12. oldal).
 - ▶ Tolja be a mozgatható tartálykazettát (19. ábra, 15. oldal).

5.6 Vízcsatlakozás



MEGJEGYZÉS

A beépített víztartállyal rendelkező Saneo xW modelleknél a vízcsatlakozás gyárilag fel van szerelve.

- ▶ Egy sima tömlőcsatlakozóval csatlakoztassa a vízellátást (20. ábra 1, 16. oldal). A csatlakozó csővéget a csomag nem tartalmazza.
- ▶ Végezzen szivárgásellenőrzést.

**FIGYELEM!**

A mágnesszelep üzemi nyomása (víznyomás) nem haladhatja meg a 6 bar-t.

A túl nagy nyomás károsíthatja a mágnesszelepet.

Folyadékmennyiség meghatározása öblítési teszthez**MEGJEGYZÉS**

Vízellátás (a jármű szivattyújával):

Annak érdekében, hogy biztosítsa a kellő 5 l/perc öblítési teljesítményt, a vécének a járműtől minimálisan 7 liter percenkénti vízellátásra van szüksége a tömlőcsatlakozáson.

Az öblítési teszthez történő folyadékmennyiség meghatározásnak két módja van:

1. változat:

- ▶ Válassza le a vécé tömlőcsatlakozását a jármű tápvezetékéről.
- ▶ A vezeték szabad végét lógassa bele egy vödörbe.
- ▶ A vécé kezelőelemén 1 percre aktiválja az öblítést.
- ▶ Mérje meg a vödörben lévő víz mennyiségét.
A vödörben lévő víz mennyisége megfelel a víz liter/percben mért átáramlási mennyiségének.

2. változat:

- ▶ Válassza le a vécé tömlőcsatlakozását a jármű tápvezetékéről.
- ▶ Kapcsoljon rá egy Gardena vízmennyiségmérőt a vécé vízvezetékére.
- ▶ A vécé kezelőelemén aktiválja az öblítést.
- ▶ Olvassa le a Gardena vízmennyiségmérőről az átáramlási mennyiséget liter/percben.

5.7 A tartály-csapófedél beépítése

A Saneo BW és Saneo CW modellek esetében szereljen fel egy tartály-csapóajtót a beépített víztartályra.

- ▶ A sablonnal (3. ábra 1, 4. oldal) készítsen egy nyílást a külső falba.
- ▶ Lásssa el vízhatlan tömítéssel a tartály-csapófedelét (pl. butilkauccsukkal).
- ▶ Helyezze fel a tartály-csapóajtót a tartályra.
- ▶ Négy C4x25 sülllesztett fejű csavarral (a szállítási terjedelem nem tartalmazza) rögzítse a tartály-csapófedelet.
- ▶ Csúsztassa fel az O-gyűrűt a tartály-csapófedél belső csövére (24. ábra, 18. oldal):
 - **A:** Az O-gyűrű helyzete 30 mm – 50 mm falvastagság esetén
 - **B:** Az O-gyűrű helyzete 20,5 mm – 30 mm falvastagság esetén
- ▶ Zsírozza meg az O-gyűrűt. Így a betöltőcsonk könnyen összekapcsolható a tartály felső részével.

6 Elektromos csatlakoztatás



FIGYELMEZTETÉS!

Az elektromos csatlakoztatást szakszemélyzetnek kell elvégeznie.



FIGYELEM!

- A vécét tilos más fogyasztókkal együtt közvetlenül párhuzamosan rákapcsolni a feszültségellátásra.
- A vécé vezérlését ne csatlakoztassa nagynyomású vízszivattyúhoz.
- A külső vízszivattyú névleges nyomása nem haladhatja meg a 100 W-ot.



MEGJEGYZÉS

- A külső vízszivattyút a csomag nem tartalmazza.
- Előtét biztosítékra nincs szükség, mivel a vécé rendelkezik belső biztosítókkal.

Magyarázat (25. ábra, 19. oldal):

Tétel	Megnevezés
1	Saneo
2	Vízszivattyú
3	Kapcsoló
4	Biztosíték-/fő csatlakozószekrény
5	12 V tápellátás




A Touch-Switch kezelőpanel (26. ábra A, 20. oldal) és a Tact-Switch kezelőpanel (26. ábra B, 20. oldal) kiosztása a következő:

Tétel	Megnevezés
1	Kazettás tartály Reed-érzékelőjének és a kazetta mikrokapcsolóinak 5-polusú csatlakozója
2	Csak a Saneo BW, CW modelleknél: Víztartály úszó-töltöttségjelző
3	Jumper (csak a Touch-Switch kezelőalkatrésznél)
4	Csak a Saneo B, C, BS, CS, BLP, CLP: Szelepcsatlakozás Csak a Saneo BW, CW modelleknél: Belső szivattyú csatlakozója
5	12 V tápellátás
6	Biztosíték (10 A)

- A jármű fő csatlakozóblokkján keresztül csatlakoztassa a végét a feszültségellátáshoz (25. ábra, 19. oldal und 26. ábra 5, 20. oldal). Ehhez a megfelelő kábelt alkalmazza (27. ábra, 20. oldal):

Tétel/kábelszín	Megnevezés
A	Saneo B, BS, BLP, C, CS, CLP (nagynyomású vízszivattyú esetén ne alkalmazza)
B	Saneo BW, CW
C	Saneo B, BS, BLP, C, CS, CLP nagynyomású vízszivattyúval (Ausztrália)
D	Saneo BW, CW (Egyesült Királyság)
ws	Fehér kábel, test (-)
rt	Piros kábel, bemenet (+)
bl	Kék kábel, kimenet (+) Vezérlővezeték egy külső szivattyúhoz (nagynyomású vízszivattyú esetén ne alkalmazza)

7 Műszaki adatok

	Dometic Saneo
Tápfeszültség:	12 V $\overline{=}$
Áramfelvétel:	max. 2 A belső szivattyú esetén max. 10 A külső szivattyú esetén
Személy max. súlya:	150 kg
Méretetek:	lásd 4 . ábra, 5. oldal és 9 . ábra, 10. oldal
Üzemi hőmérséklet:	0 °C és +50 °C között
Tárolókapacitás:	16 l (kazettás tartály) 7 l (frissvíztartály, opcionális)
Ellenőrző jel:	   ECE R 10



MEGJEGYZÉS

Vízellátás (a jármű szivattyújával):

Annak érdekében, hogy biztosítsa a kellő 5 l/perc öblítési teljesítményt, a vécének a járműtől minimálisan 7 liter percenkénti vízellátásra van szüksége a tömlőcsatlakozáson.

Pred vgradnjo in prvo uporabo natančno preberite ta navodila in jih shranite. Ob morebitni predaji drugemu uporabniku ne pozabite priložiti tudi teh navodil.

Kazalo

1	Razlaga simbolov	224
2	Varnostni napotki	224
2.1	Osnovna varnost	225
2.2	Navodila za montažo	225
3	Uporaba v skladu z namenom	225
4	Tehnični opis	226
4.1	Opis komponent	226
5	Vgradnja stranišča	227
5.1	Vgradnja servisnih vrat	227
5.2	Izdelava izrezov v steni	227
5.3	Postavitev stranišča	228
5.4	Postavitev stranišča Saneo B, Saneo C	228
5.5	Postavitev stranišča Saneo , Saneo CW, Saneo BS, Saneo CS, Saneo BLP, Saneo CLP	229
5.6	Vodni priključek	230
5.7	Vgradnja pokrova rezervoarja	231
6	Električna priključitev	232
7	Tehnični podatki	234

1 Razlaga simbolov

**OPOZORILO!**

Varnostni napotek: Neupoštevanje lahko povzroči smrt ali težko poškodbo.

**POZOR!**

Varnostni napotek: Neupoštevanje lahko povzroči poškodbe.

**OBVESTILO!**

Neupoštevanje lahko povzroči materialno škodo in vpliva na delovanje izdelka.

**NASVET**

Dopolnilne informacije za upravljanje naprave.

2 Varnostni napotki

Proizvajalec ne prevzame odgovornosti za škode v naslednjih primerih:

- napake pri montaži ali priključitvi
- poškodbe proizvoda zaradi mehanskih vplivov in prenapetosti
- spremembe na proizvodu brez izrecnega dovoljenja proizvajalca
- uporaba v druge namene, kot so opisani v navodilih

Izjavo ES o skladnosti lahko zahtevate pri proizvajalcu (kontaktne informacije so navedene na hrbtni strani).

2.1 Osnovna varnost



OPOZORILO!

- Ta izdelek lahko uporabljajo otroci, starejši od 8 let, kot tudi osebe z zmanjšanimi fizičnimi, senzoričnimi ali duševnimi sposobnostmi ali s pomanjkljivimi izkušnjami in znanjem, če so pod nadzorom tretje osebe ali če so bile poučene o varni uporabi naprave in razumejo nevarnosti, ki bi lahko nastale.
- Otroke je treba nadzorovati pri izvajanju čiščenja in izvajanju vzdrževalnih del, ki jih lahko izvaja uporabnik.
- Otroke nadzirajte in tako preprečite, da bi se z napravo igrali.
- Vgradnjo stranišča sme opraviti le šolano strokovno osebje.



- Vse komponente sistema je treba vgraditi v območju, kjer ni zmrzali. Pri temperaturah pod ničlo obstaja nevarnost poškodb zaradi učinka zmrzali.
- Ne uporabljajte sredstev proti zmrzovanju. Ta sredstva lahko kasetno stranišče poškodujejo.
- Obratovalni tlak (vodni tlak) magnetnega ventila ne sme preseči 6 bar. Magnetni ventil se zaradi previsokega tlaka poškoduje.
- Električno instalacijo morate izvesti po nacionalnih in krajevnih predpisih.
V Evropi: EN 1645-1, EN 1646-1, EN 1648-1, EN 1648-2.

2.2 Navodila za montažo

Stranišče je treba načeloma vgraditi tako, da je za servisiranje enostavno dostopno, da ga je mogoče preprosto odstraniti in vgraditi ter odstraniti iz vozila.

3 Uporaba v skladu z namenom

Stranišče je namenjeno za vgradnjo in uporabo v vozilih za prosti čas, kot so počitniške prikolice in potovalni avtodomi.

4 Tehnični opis

Kasetno stranišče Saneo je sestavljeno iz školjke, ki je fiksno nameščena v vozilo, in odstranljive kasete s kolesi, ki se uporablja kot rezervoar za odpadno vodo. Kasete je od zunaj dostopna skozi vrata. Voda za splakovanje v stranišče odvisno od modela doteka iz rezervoarja, ki je vgrajen v ohišje, ali iz rezervoarja za svežo vodo v vozilu.

Na voljo so naslednje izvedbe modelov stranišč:

- **Saneo B, Saneo C:** prostostoječe, brez rezervoarja za vodo, brez konzole
- **Saneo BS, Saneo CS:** prostostoječe, brez rezervoarja za vodo, s konzolo
- **Saneo BW, Saneo CW:** prostostoječe, z rezervoarjem za vodo v konzoli
- **Saneo BLP, Saneo CLP:** prostostoječe, brez rezervoarja za vodo, nizka konzola


Modele Saneo C je mogoče opremiti s splakovanjem v intervalih (izbirno). Pri tem se voda v kratkih potiskih črpa v školjko, kar zagotavlja boljše splakovanje in čiščenje. Splakovanje in čiščenje sta odvisna od količine vode, ki je na voljo v vozilu.

4.1 Opis komponent

Poz. na sl. 1 , stran 3	Poimenovanje
1	Ohišje za rezervoar kasete
2	Praznilni drsnik za školjko
3	Školjka stranišča, vrtljiva, iz umetne mase ali keramike
4	Pokrov in deska, snemljiva
5	Konzola
6	Upravljalno polje s prikazom nivoja polnjenja in splakovanjem
7	Samo Saneo BW, CW: vgrajen rezervoar za svežo vodo
8	Samo Saneo BW, CW: pokrov rezervoarja
9	Rezervoar kasete
10	Servisna vrata

5 Vgradnja stranišča

5.1 Vgradnja servisnih vrat

Opis za vgradnjo servisnih vrat je na voljo v priloženem dokumentu ( **Dometic Seitz SK 5**, izbirno in odvisno od modela).

5.2 Izdelava izrezov v steni

Izrez v steni za servisna vrata

► V zunanji steni izdelajte odprtino z naslednjimi merami (sl. **2**, stran 3):

- **A:** za servisna vrata SK5, vertikalna:
 - $y_{\min} = 12,5 \text{ mm}$, $y_{\max} = 22 \text{ mm}$
 - $b = 310 \text{ mm} \pm 1 \text{ mm}$
 - $h = 360 \text{ mm} \pm 1 \text{ mm}$
- **B:** za servisna vrata SK5, horizontalna:
 - $y_{\min} = 12,5 \text{ mm}$, $y_{\max} = 26 \text{ mm}$
 - $b = 360 \text{ mm} \pm 1 \text{ mm}$
 - $h = 310 \text{ mm} \pm 1 \text{ mm}$

Mero x dobite pri postavitvi stranišča. Pri tem upoštevajte položaj servisnih vrat (šabloni **(3)** in **(4)** na embalaži).

Izrez v steni za pokrov rezervoarja

Pri modelih Saneo BW in Saneo CW montirajte pokrov rezervoarja za interni rezervoar za vodo.

► S pomočjo šablone (sl. **3** 1, stran 4) izdelajte odprtino v zunanji steni. Šablona v navodilih je zelo pomanjšana. Glejte originalno embalažo.

Opis montaže pokrova rezervoarja najdete v pogl. „Vgradnja pokrova rezervoarja“ na strani 231.

5.3 Postavitev stranišča



OBVESTILO!

Vse komponente sistema je treba vgraditi v območju, kjer ni zmrzali. Pri temperaturah pod ničlo obstaja nevarnost poškodb zaradi učinka zmrzali.

- Stranišče montirajte skladno z opisom izvedbe posameznega modela.
- Stranišče postavite le poravnano na navpično steno.
- Pustite vsaj 60 mm prostora do stranskih sten, da obračanje zgornjega dela stranišča (s sediščem) ne bo omejeno.
- Pri vgradnji uporabite skice z merami in šablone:
 - **Saneo B, Saneo C:** sl. **4**, stran 5
 - **Saneo BS, Saneo CS:** sl. **5**, stran 6
 - **Saneo BW, Saneo CW:** sl. **5**, stran 6
 - **Saneo BLP, Saneo CLP:** sl. **6**, stran 7
 - **Velikost izreza:** sl. **7**, stran 8
 - **Izvrtnine:** sl. **8**, stran 9
 - **Polmeri:** sl. **9**, stran 10



NASVET

- Pri šablonah za velikosti izreza, izvrtine in polmere upoštevajte simetrijsko točko stranišča (sl. **7** A, stran 8, sl. **8** A, stran 9, sl. **9** A, stran 10)
- Pri vgradnji stranišča v prostor z vodovodno napeljavo proizvajalec priporoča, da stranišče povežete s pršno kadjo.

5.4 Postavitev stranišča Saneo B, Saneo C

Prostostoječi model Saneo B, Saneo C nima vgrajenega rezervoarja za vodo. Ta model postavite tako, da boste na steno za straniščno školjko lahko montirali upravljalni del stranišča, električne priključke in morebiti rezervoar za vodo. Idealno je, da pred steno prostora postavite omaro (sl. **10**, stran 11).



NASVET

sl. **10**, stran 11 in sl. **11**, stran 11 prikazujeta primer vgradnje v pršno kad.

Upoštevajte, da sega kasetna 112 mm iz ohišja kasete (sl. **11**, stran 11).

- Dno ohišja (sl. **11** 1, stran 11) poravnano namestite na vgradni okvir servisnih vrat (sl. **11** 2, stran 11), da nastane čist prehod brez reže.

Pritrditev stranišča Saneo B, Saneo C

- Stranišče postavite na zelen položaj.
- Podstavek trdno privijte s štirimi vijaki (sl. **12** 2, stran 12).
- Vstavite pokrovčke (sl. **12** 1, stran 12).
- Nato ohišje stranišča trdno privijte (z največ 4 vijaki, niso priloženi) na steno (sl. **13**, stran 12).



NASVET

Šablona v merilu 1:1 je na voljo pri proizvajalcu.

- Nato vstavite kaseto rezervoarja s kolesi (sl. **19**, stran 15).

Vgradnja kontrolnega in upravljalnega polja stranišča Saneo B, Saneo C

Kontrolno in upravljalno polje vgradite na dobro dostopnem mestu v steno v neposredni bližini stranišča.

- S pomočjo šablone v realni velikosti izdelajte odprtino v steni za kontrolno in upravljalno polje (sl. **14**, stran 13).
- Za vgradnjo kontrolnega in upravljalnega polja povežite električne kable na sklopih (pogl. „Električna priključitev“ na strani 232).



POZOR!

Obstaja nevarnost poškodb zaradi vzmeti, ki skočijo nazaj!

- Pritrdilne vzmeti kontrolnega in upravljalnega polja potisnite navznoter in to potisnite v izrez v steni (sl. **15**, stran 14).

5.5 Postavitev stranišča Saneo , Saneo CW, Saneo BS, Saneo CS, Saneo BLP, Saneo CLP

Ti modeli imajo stensko priključno konzolo. Kontrolno in upravljalno polje je vgrajeno v stensko priključno konzolo.

Modela Saneo BW in Saneo CW imata vgrajen rezervoar za vodo, medtem ko modela Saneo BS in Saneo CS nimata rezervoarja za vodo.

Vse modele s stensko priključno konzolo postavite neposredno na steno prostora (sl. **16**, stran 14). Za pritrditev stranišča in konzole se uporablja predhodno nameščeno stensko držalo.

- Stensko držalo v vodoravnem položaju privijte na naslednji višini (sl. **17**, stran 14):

Različica A:

Model	A	B	C	D
Saneo BW, Saneo BS	170 mm	96 mm	645 mm	652 mm
Saneo CW, Saneo CS	170 mm	96 mm	645 mm	652 mm
Saneo BLP, Saneo CLP	170 mm	96 mm	462 mm	469 mm

Variante B:

- **Saneo BW, Saneo BS:** h = 661 mm
 - **Saneo CW, Saneo CS:** h = 661 mm
 - **Saneo BLP, Saneo CLP:** h = 478 mm
- Kompletan straniščni modul postavite v zelen položaj pred stenskim držalom.
 - Dvignite stranišče in obesite ohišje v stensko držalo (sl. **18**, stran 15).
 - Podstavek trdno privijte s štirimi vijaki (sl. **12** 2, stran 12).
 - Vstavite pokrovčke (sl. **12** 1, stran 12).
 - Nato vstavite kaseto rezervoarja s kolesi (sl. **19**, stran 15).

5.6 Vodni priključek



NASVET

Pri modelih Saneo xW z integriranim rezervoarjem za vodo je priključek za vodo tovarniško montiran.

- Za oskrbo z vodo priključite gladki cevni priključek (sl. **20** 1, stran 16). Priključni nastavek ni del obsega dobave.
- Preverite tesnjenje.



OBVESTILO!

Obratovalni tlak (vodni tlak) magnetnega ventila ne sme preseči 6 bar. Magnetni ventil se zaradi previsokega tlaka poškoduje.

Meritev volumna za testiranje učinka splakovanja



NASVET

Oskrba z vodo (črpalka na strani vozila):

Da se zagotovi zadosten učinek splakovanja s 5 l/min., potrebuje stranišče na strani vozila min. 7 l/min. na izhodu cevnega priključka stranišča.

Za meritev volumna za testiranje učinka splakovanja sta na voljo dve različici:

Različica 1:

- Cevno povezavo stranišča ločite od napeljave na strani vozila.
- Odprt konec cevi obesite v vedro.
- Preko upravljalnega dela stranišča splakujte 1 min.
- Izmerite količino vode v vedru.
Količina vode v vedru ustreza pretoku vode v l/min.

Različica 2:

- Cevno povezavo stranišča ločite od napeljave na strani vozila.
- Števec količine vode Gardena vpnite na vodno napeljavo stranišča.
- Preko upravljalnega dela stranišča sprožite splakovanje.
- Na števcu količine vode Gardena odčitajte pretok vode v l/min.

5.7 Vgradnja pokrova rezervoarja

Pri modelih Saneo BW in Saneo CW montirajte pokrov rezervoarja za interni rezervoar za vodo.

- S pomočjo šablone (sl. **3** 1, stran 4) izdelajte odprtino v zunanji steni.
- Pokrov rezervoarja zatesnite proti vdiranju vode (npr. z butilnim kavčukom).
- Pokrov rezervoarja natakните na rezervoar.
- Pokrov rezervoarja privijte s štirimi vijaki z ugreznjenimi glavami C4x25 (niso del obsega dobave).

- ▶ Na notranjo cev pokrova rezervoarja potisnite tesnilni obroček (sl. **24**, stran 18):
 - **A:** Položaj tesnilnega obročka pri debelini stene 30–50 mm
 - **B:** Položaj tesnilnega obročka pri debelini stene 20,5–30 mm
- ▶ Namastite tesnilni obroček. Tako boste polnilni nastavek lažje povezali z zgornjim delom rezervoarja.

6 Električna priključitev



OPOZORILO!

Električno priključitev mora izvesti strokovno osebje.



OBVESTILO!

- Stranišča ne priključite na napajanje direktno vzporedno z drugimi porabniki.
- Krmilje stranišča ne priključite na tlačno vodno črpalko.
- Nazivna moč eksterne vodne črpalke ne sme preseči 100 W.



NASVET

- Eksterna vodna črpalka ni v obsegu dobave.
- Predvarovalka ni potrebna, ker je stranišče interno zaščiteno.

Legenda za sl. **25**, stran 19:

Poz.	Poimenovanje
1	Saneo
2	Vodna črpalka
3	Stikalo
4	Omarica za varovalke/glavna priključna omarica
5	12 V napajanje

Zasedenost upravljalnega dela Touch-Switch (sl. **26** A, stran 20) in upravljalnega dela Tact-Switch (sl. **26** B, stran 20) je naslednja:

Poz. Poimenovanje



- | | |
|---|--|
| 1 | 5-polni priključek za senzorje REED rezervoarja kasete in mikro stikala kasete |
| 2 | Samo Saneo BW, CW: plovec za prikaz nivoja polnjenja rezervoarja za vodo |
| 3 | Mostiček (samo upravljalni del Touch-Switch) |
| 4 | Samo Saneo B, C, BS, CS, BLP, CLP: priključek ventila
Samo Saneo BW, CW: priključek interne črpalke |
| 5 | 12 V napajanje |
| 6 | Varovalka (10 A) |

- Stranišče priključite na lastno napajanje preko glavnega priključnega bloka vozila (sl. **25**, stran 19 in sl. **26** 5, stran 20). Pri tem uporabite primeren kabel (sl. **27**, stran 20):

Pol./barva kabla Poimenovanje

A	Saneo B, BS, BLP, C, CS, CLP (ne pri uporabi tlačne vodne črpalke)
B	Saneo BW, CW
C	Saneo B, BS, BLP, C, CS, CLP s tlačno vodno črpalčko (Avstralija)
D	Saneo BW, CW (ZK)
ws	Beli kabel, masa (-)
rt	Rdeči kabel, vhod (+)
bl	Moder kabel, izhod (+) Krmilni vod za eksterno črpalčko (ne pri uporabi tlačne vodne črpalke)

7 Tehnični podatki

	Dometic Saneo
Napajanje:	12 V $\overline{=}$
Poraba toka:	maks. 2 A pri interni črpalki maks. 10 A pri eksterni črpalki
Najv. teža osebe:	150 kg
Dimenzije:	glejte sl. 4 , stran 5 do sl. 9 , stran 10
Temperatura obratovanja:	0 °C do +50 °C
Kapaciteta:	16 l (rezervoar kasete) 7 l (rezervoar za svežo vodo, opcija)
Znak atesta:	  NI ECE R 10



NASVET

Oskrba z vodo (črpalka na strani vozila):

Da se zagotovi zadosten učinek splakovanja s 5 l/min., potrebuje stranišče na strani vozila min. 7 l/min. na izhodu cevnega priključka stranišča.

Πριν από την έναρξη της χρήσης διαβάστε προσεκτικά αυτό το εγχειρίδιο και φυλάξτε το. Σε περίπτωση μεταπώλησης της συσκευής δώστε το εγχειρίδιο στον νέο χρήστη.

Περιεχόμενα

1	Εξήγηση των συμβόλων	236
2	Υποδείξεις ασφαλείας	236
2.1	Βασική ασφάλεια	236
2.2	Οδηγίες τοποθέτησης	237
3	Προβλεπόμενη χρήση	237
4	Τεχνική περιγραφή	237
4.1	Περιγραφή των εξαρτημάτων	238
5	Τοποθέτηση τουαλέτας	239
5.1	Τοποθέτηση βοηθητικής πόρτας	239
5.2	Κατασκευή ανοιγμάτων τοίχου	239
5.3	Τοποθέτηση τουαλέτας	240
5.4	Τοποθέτηση τουαλέτας τύπου Saneo B, Saneo C	241
5.5	Τοποθέτηση τουαλέτας τύπου Saneo BW, Saneo CW, Saneo BS, Saneo CS, Saneo BLP, Saneo CLP	242
5.6	Σύνδεση νερού	243
5.7	Τοποθέτηση του καπακιού δοχείου	244
6	Ηλεκτρική σύνδεση	245
7	Τεχνικά χαρακτηριστικά	247

1 Εξήγηση των συμβόλων

**ΠΡΟΕΙΔΟΠΟΙΗΣΗ!**

Υπόδειξη ασφαλείας: Η μη τήρηση μπορεί να έχει ως αποτέλεσμα θάνατο ή σοβαρούς τραυματισμούς.

**ΠΡΟΦΥΛΑΞΗ!**

Υπόδειξη ασφαλείας: Η μη τήρηση μπορεί να έχει ως αποτέλεσμα τραυματισμούς.

**ΠΡΟΣΟΧΗ!**

Η μη τήρηση μπορεί να έχει ως αποτέλεσμα ύλικές ζημιές και επιπτώσεις στη λειτουργία του προϊόντος.

**ΥΠΟΔΕΙΞΗ**

Συμπληρωματικά στοιχεία για το χειρισμό του προϊόντος.

2 Υποδείξεις ασφαλείας

Στις παρακάτω περιπτώσεις ο κατασκευαστής δεν αναλαμβάνει καμία ευθύνη για ζημιές:

- Σφάλμα τοποθέτησης ή σύνδεσης
- Φθορές στο προϊόν από μηχανικές επιδράσεις και υπέρταση
- Μετατροπές στο προϊόν χωρίς τη ρητή άδεια του κατασκευαστή
- Χρήση για άλλους σκοπούς από ότι περιγράφεται στις οδηγίες

Τη δήλωση συμμόρφωσης μπορείτε να τη ζητήσετε από τον κατασκευαστή (στοιχεία επικοινωνίας στην πίσω σελίδα).

2.1 Βασική ασφάλεια

**ΠΡΟΕΙΔΟΠΟΙΗΣΗ!**

- Αυτήν τη συσκευή μπορούν να την χρησιμοποιούν παιδιά από 8 ετών και άνω καθώς και άτομα με μειωμένες φυσικές, αισθητηριακές ή διανοητικές ικανότητες ή χωρίς εμπειρία και γνώσεις, εφόσον επιτηρούνται ή εφόσον κατατοπίστηκαν σχετικά με την ασφαλή χρήση της συσκευής και εφόσον καταλαβαίνουν τους πιθανούς κινδύνους.

- Ο καθαρισμός και η συντήρηση δεν επιτρέπεται να γίνονται από παιδιά χωρίς επιτήρηση.
- Θα πρέπει να προσέχετε ώστε τα παιδιά να μην παίζουν με τη συσκευή.
- Η τοποθέτηση της τουαλέτας επιτρέπεται να γίνεται μόνο από ειδικευμένα άτομα.



- Όλα τα εξαρτήματα του συστήματος πρέπει να τοποθετηθούν σε μέρος χωρίς κίνδυνο παγετού. Σε θερμοκρασίες υπό του μηδενός υπάρχει κίνδυνος ζημιάς λόγω παγετού.
- Μην χρησιμοποιείτε αντιψυκτικά μέσα. Αυτά τα μέσα μπορεί να προκαλέσουν ζημιά στην τουαλέτα.
- Η πίεση λειτουργίας (πίεση νερού) της μαγνητικής βαλβίδας δεν επιτρέπεται να ξεπεράσει τα 6 bar. Η υπερβολική πίεση μπορεί να καταστρέψει την μαγνητική βαλβίδα.
- Η ηλεκτρολογική εγκατάσταση πρέπει να γίνεται σύμφωνα με τους εθνικούς και τους τοπικούς κανονισμούς.
Στην Ευρώπη: EN 1645-1, EN 1646-1, EN 1648-1, EN 1648-2.

2.2 Οδηγίες τοποθέτησης

Η τουαλέτα πρέπει να τοποθετηθεί με τέτοιο τρόπο, ώστε να υπάρχει καλή πρόσβαση για τις εργασίες σέρβις, να μπορεί να εγκατασταθεί και αποσυνδεθεί εύκολα και να μπορεί να αφαιρεθεί από το όχημα χωρίς πρόβλημα.

3 Προβλεπόμενη χρήση

Η τουαλέτα προορίζεται για τοποθέτηση και χρήση σε οχήματα ελεύθερου χρόνου όπως συρόμενα και αυτοκινούμενα τροχόσπιτα.

4 Τεχνική περιγραφή

Η τουαλέτα κασετίνας Saneo αποτελείται από μια σταθερά εγκατεστημένη τουαλέτα και από μια αποσπώμενη κασετίνα με ροδάκια ως δοχείο λυμάτων. Η κασετίνα είναι προσβάσιμη από έξω μέσα από μία πόρτα. Ανάλογα το μοντέλο το νερό πλύσης διοχετεύεται στην τουαλέτα από ένα ενσωματωμένο δοχείο ή από τη δεξαμενή νερού του οχήματος.

Υπάρχουν οι παρακάτω τύποι τουαλέτας:

- **Saneo B, Saneo C:** ελεύθερης τοποθέτησης, χωρίς δοχείο νερού, χωρίς πλάτη
- **Saneo BS, Saneo CS:** ελεύθερης τοποθέτησης, χωρίς δοχείο νερού, με πλάτη
- **Saneo BW, Saneo CW:** ελεύθερης τοποθέτησης, με δοχείο νερού στη πλάτη
- **Saneo BLP, Saneo CLP:** ελεύθερης τοποθέτησης, χωρίς δοχείο νερού, χαμηλή πλάτη

Τα μοντέλα Saneo C μπορούν (προαιρετικά) να εξοπλιστούν με σύστημα διακεκομμένης πλύσης. Σε αυτήν την περίπτωση το νερό προωθείται σε μικρές δόσεις μέσα στην λεκάνη της τουαλέτας ώστε να επιτυγχάνεται καλύτερο αποτέλεσμα ύγρυνσης και καθαρισμού. Η ύγρυνση και ο καθαρισμός εξαρτώνται από την ποσότητα νερού που διατίθεται στο όχημα.

4.1 Περιγραφή των εξαρτημάτων

Θέση στο σχ. 1, σελίδα 3	Ονομασία
1	Περίβλημα για δοχείο κασετίνας
2	Σύρτης εκκένωσης για την λεκάνη τουαλέτας
3	Λεκάνη στρεφόμενη, πλαστική ή κεραμική
4	Καπάκι τουαλέτας, αποσπώμενο
5	Πλάτη
6	Πίνακας χειρισμού με ένδειξη στάθμης και πλύση
7	Μόνο η Saneo BW, CW: Ενσωματωμένο δοχείο καθαρού νερού
8	Μόνο η Saneo BW, CW: Καπάκι δοχείου
9	Δοχείο κασετίνας
10	Βοηθητική πόρτα

5 Τοποθέτηση τουαλέτας

5.1 Τοποθέτηση βοηθητικής πόρτας

Η περιγραφή για την τοποθέτηση της βοηθητικής πόρτας υπάρχει στο συνημμένο εγχειρίδιο ( **Dometic Seitz SK 5**, προαιρετικά και ανάλογα το μοντέλο).

5.2 Κατασκευή ανοιγμάτων τοίχου

Ανοιγμα τοιχώματος βοηθητικής πόρτας

- ▶ Στον εξωτερικό τοίχο, ανοίξτε ένα άνοιγμα με τις εξής διαστάσεις (σχ. **2**, σελίδα 3):
 - **A:** για βοηθητική πόρτα SK5 κάθετα:
 - $y_{\min} = 12,5 \text{ mm}$, $y_{\max} = 22 \text{ mm}$
 - $b = 310 \text{ mm} \pm 1 \text{ mm}$
 - $h = 360 \text{ mm} \pm 1 \text{ mm}$
 - **B:** για βοηθητική πόρτα SK5 οριζόντια:
 - $y_{\min} = 12,5 \text{ mm}$, $y_{\max} = 26 \text{ mm}$
 - $b = 360 \text{ mm} \pm 1 \text{ mm}$
 - $h = 310 \text{ mm} \pm 1 \text{ mm}$

Το μέγεθος x προκύπτει από την τοποθέτηση της τουαλέτας. Ταυτόχρονα προσέξτε τη θέση της βοηθητικής πόρτας (πατρών **(3)** και **(4)** στη συσκευασία).

Ανοιγμα τοίχου για καπάκι δοχείου

Στα μοντέλα Saneo BW και Saneo CW τοποθετήστε ένα καπάκι για το ενσωματωμένο δοχείο νερού.

- ▶ Με το πατρών (σχ. **3** 1, σελίδα 4) ανοίξτε ένα άνοιγμα στον εξωτερικό τοίχο. Στο εγχειρίδιο το πατρών εμφανίζεται σε σμίκρυνση. Το κανονικό μέγεθος είναι στη συσκευασία.

Την περιγραφή τοποθέτησης του καπακιού δοχείου θα τη βρείτε στο κεφάλαιο «Τοποθέτηση του καπακιού δοχείου» στη σελίδα 244.

5.3 Τοποθέτηση τουαλέτας



ΠΡΟΣΟΧΗ!

Όλα τα εξαρτήματα του συστήματος πρέπει να τοποθετηθούν σε μέρος χωρίς κίνδυνο παγετού. Σε θερμοκρασίες υπό του μηδενός υπάρχει κίνδυνος ζημιάς λόγω παγετού.

- Η τοποθέτηση της τουαλέτας πρέπει να γίνεται σύμφωνα με την περιγραφή του αντίστοιχου μοντέλου.
- Τοποθετήστε την τουαλέτα μόνο σε κάθετο τοίχο ευθυγραμμισμένη.
- Αφήστε τουλάχιστον 60 mm χώρο στα πλάγια ώστε να μην εμποδίζεται η στρέψη του επάνω μέρους της τουαλέτας (με την έδρα).
- Για την τοποθέτηση χρησιμοποιήστε τα σκίτσα διαστάσεων και το πατρόν:
 - **Saneo B, Saneo C:** σχ. **4**, σελίδα 5
 - **Saneo BS, Saneo CS:** σχ. **5**, σελίδα 6
 - **Saneo BW, Saneo CW:** σχ. **5**, σελίδα 6
 - **Saneo BLP, Saneo CLP:** σχ. **6**, σελίδα 7
 - **Διαστάσεις φρεζαρίσματος:** σχ. **7**, σελίδα 8
 - **Διατρήσεις:** σχ. **8**, σελίδα 9
 - **Ακτίνες:** σχ. **9**, σελίδα 10



ΥΠΟΔΕΙΞΗ

- Στα πατρόν για τις διαστάσεις φρεζαρίσματος, διατρήσεων και ακτίνων προσέξτε το σημείο συμμετρίας της τουαλέτας (σχ. **7** A, σελίδα 8, σχ. **8** A, σελίδα 9, σχ. **9** A, σελίδα 10)
- Κατά την τοποθέτηση της τουαλέτας σε λουτρό, ο κατασκευαστής συνιστά να συνδέσετε την τουαλέτα με την ντουζίρα.

5.4 Τοποθέτηση τουαλέτας τύπου Saneo B, Saneo C

Τα ελεύθερα μοντέλα Saneo B, Saneo C δεν έχουν ενσωματωμένο δοχείο νερού. Τοποθετήστε αυτά τα μοντέλα έτσι ώστε ο πίσω τοίχος να μπορεί να δεχτεί τον πίνακα χειρισμού της τουαλέτας, τις ηλεκτρικές συνδέσεις και ίσως ένα δοχείο νερού. Ιδανικό εδώ είναι να τοποθετήσετε ένα καζανάκι στον τοίχο (σχ. **10**, σελίδα 11).



ΥΠΟΔΕΙΞΗ

σχ. **10**, σελίδα 11 και σχ. **11**, σελίδα 11 δείχνουν ως παράδειγμα την τοποθέτηση σε μια ντουζιέρα.

Λάβετε υπόψη πως η κασετίνα προεξέχει 112 mm από το περίβλημά της (σχ. **11**, σελίδα 11).

- Τοποθετήστε το δάπεδο του περιβλήματος (σχ. **11** 1, σελίδα 11) «πρόσωπο» με το πλαίσιο τοποθέτησης της βοηθητικής πόρτας (σχ. **11** 2, σελίδα 11), έτσι ώστε να υπάρχει μια ομαλή μετάβαση χωρίς διάκενο.

Στερέωση τουαλέτας τύπου Saneo B, Saneo C

- Τοποθετήστε την τουαλέτα στην επιθυμητή θέση.
- Βιδώστε γερά την πλάκα δαπέδου με τέσσερις βίδες (σχ. **12** 2, σελίδα 12).
- Τοποθετήστε τα πώματα (σχ. **12** 1, σελίδα 12).
- Στη συνέχεια βιδώστε γερά το περίβλημα της τουαλέτας στον τοίχο (με μέχρι 4 βίδες, δεν παρέχονται) (σχ. **13**, σελίδα 12).



ΥΠΟΔΕΙΞΗ

Πατρόν 1:1 διαθέσιμο από τον κατασκευαστή.

- Σπρώξτε μέσα τη φορητή κασετίνα δοχείου (σχ. **19**, σελίδα 15).

Τοποθέτηση του πίνακα ελέγχου και χειρισμού των τουαλετών Saneo B, Saneo C

Ο πίνακας ελέγχου και χειρισμού πρέπει να τοποθετείται στον τοίχο κοντά στην τουαλέτα, σε ένα μέρος που είναι εύκολα προσιτό.

- Με τη βοήθεια του πατρόν διαστάσεων (σχ. **14**, σελίδα 13) ανοίξτε ένα άνοιγμα στον εξωτερικό τοίχο για τον πίνακα ελέγχου και χειρισμού.

- Συνδέστε τα ηλεκτρικά καλώδια στα θηλυκά βύσματα για τοποθέτηση του πίνακα ελέγχου και χειρισμού (κεφάλαιο «Ηλεκτρική σύνδεση» στη σελίδα 245).

**ΠΡΟΦΥΛΑΞΗ!**

Υπάρχει κίνδυνος τραυματισμού από τα συμπιεσμένα ελατήρια!

- Πιέστε τα ελατήρια συγκράτησης του πίνακα ελέγχου και χειρισμού και σπρώξτε τον πίνακα στο άνοιγμα του τοίχου (σχ. 15, σελίδα 14).

5.5 Τοποθέτηση τουαλέτας τύπου Saneo BW, Saneo CW, Saneo BS, Saneo CS, Saneo BLP, Saneo CLP

Αυτά τα μοντέλα έχουν μια πλάτη σύνδεσης στον τοίχο. Ο πίνακας ελέγχου και χειρισμού είναι ενσωματωμένος στην πλάτη τοίχου.

Τα μοντέλα Saneo BW και Saneo CW διαθέτουν ενσωματωμένο δοχείο νερού ενώ τα μοντέλα Saneo BS και Saneo CS δεν έχουν δοχείο νερού.

Όλα τα άλλα μοντέλα με πλάτη σύνδεσης στον τοίχο τοποθετούνται κατευθείαν στον τοίχο (σχ. 16, σελίδα 14). Για τη στήριξη της τουαλέτας στην πλάτη χρησιμοποιείται ένα στήριγμα που τοποθετείται προηγουμένα.

- Βιδώστε το στήριγμα τοίχου οριζόντια στο παρακάτω ύψος (σχ. 17, σελίδα 14):

Παραλλαγή A:

Μοντέλο	A	B	C	D
Saneo BW, Saneo BS	170 mm	96 mm	645 mm	652 mm
Saneo CW, Saneo CS	170 mm	96 mm	645 mm	652 mm
Saneo BLP, Saneo CLP	170 mm	96 mm	462 mm	469 mm

Παραλλαγή B:

- **Saneo BW, Saneo BS:** h = 661 mm
- **Saneo CW, Saneo CS:** h = 661 mm
- **Saneo BLP, Saneo CLP:** h = 478 mm

- Φέρτε ολόκληρη την τουαλέτα στην επιθυμητή θέση μπροστά από τον τοίχο.
- Ανυψώστε την τουαλέτα και αγκιστρώστε το περίβλημα στα στηρίγματα τοίχου (σχ. **18**, σελίδα 15).
- Βιδώστε γερά την πλάκα δαπέδου με τέσσερις βίδες (σχ. **12** 2, σελίδα 12).
- Τοποθετήστε τα πώματα (σχ. **12** 1, σελίδα 12).
- Σπρώξτε μέσα τη φορητή κασετίνα δοχείου (σχ. **19**, σελίδα 15).

5.6 Σύνδεση νερού



ΥΠΟΔΕΙΞΗ

Στα μοντέλα Saneo xW με ενσωματωμένο δοχείο νερού η υποδοχή νερού τοποθετείται ήδη εργοστασιακά.

- Συνδέστε την παροχή νερού μέσω ίσιας σύνδεσης ελαστικού σωλήνα (σχ. **20** 1, σελίδα 16). Το στόμιο σύνδεσης δεν περιλαμβάνεται στη συσκευασία.
- Πραγματοποιήστε έναν έλεγχο στεγανότητας.



ΠΡΟΣΟΧΗ!

Η πίεση λειτουργίας (πίεση νερού) της μαγνητικής βαλβίδας δεν επιτρέπεται να ξεπεράσει τα 6 bar.

Η υπερβολική πίεση μπορεί να καταστρέψει την μαγνητική βαλβίδα.

Υπολογισμός λίτρων για τη δοκιμή πλήσης



ΥΠΟΔΕΙΞΗ

Παροχή νερού (αντλία οχήματος):

Η τουαλέτα χρειάζεται αντλία οχήματος με παροχή τουλάχιστον 7 λίτρων/λεπτό στην έξοδο της σύνδεσης σωλήνα της τουαλέτας ώστε να διασφαλίζεται πλήση με τουλάχιστον 5 λίτρα/λεπτό.

Για τον υπολογισμό λίτρων κατά τη δοκιμή πλήσης υπάρχουν δύο παραλλαγές:

Παραλλαγή 1:

- Αποσυνδέστε τον εύκαμπτο σωλήνα της τουαλέτας από τις σωληνώσεις του οχήματος.
- Κρεμάστε το ανοικτό άκρο του σωλήνα μέσα σε έναν κουβά.
- Πατήστε για 1 λεπτό το κουμπί πλήσης στον πίνακα χειρισμού της τουαλέτας.
- Μετρήστε την ποσότητα νερού, που υπάρχει μέσα στον κουβά.
Η ποσότητα νερού που υπάρχει στον κουβά αντιστοιχεί στην παροχή νερού σε λίτρα/λεπτό.

Παραλλαγή 2:

- Αποσυνδέστε τον εύκαμπτο σωλήνα της τουαλέτας από τις σωληνώσεις του οχήματος.
- Στον σωλήνα νερού της τουαλέτας συνδέστε έναν μετρητή νερού Gardena.
- Πατήστε το κουμπί πλήσης στον πίνακα χειρισμού της τουαλέτας.
- Διαβάστε την τιμή παροχής σε λίτρα/λεπτό στον μετρητή νερού Gardena.

5.7 Τοποθέτηση του καπακιού δοχείου

Στα μοντέλα Saneo BW και Saneo CW τοποθετήστε ένα καπάκι για το ενσωματωμένο δοχείο νερού.

- Με το πατρόν (σχ. **3** 1, σελίδα 4) ανοίξτε ένα άνοιγμα στον εξωτερικό τοίχο.
- Στεγανοποιήστε το καπάκι δοχείου υδατοστεγώς (π.χ. με βουτιλικό καουτσούκ).
- Τοποθετήστε το καπάκι πάνω στο δοχείο.
- Βιδώστε το καπάκι με τέσσερις βίδες φρεζάτης κεφαλής C4x25 (δεν περιλαμβάνεται στη συσκευασία).

- ▶ Περάστε το Ο-ριγγκ στον εσωτερικό σωλήνα του καπακιού (σχ. **24**, σελίδα 18):
 - **A:** Θέση του Ο-ριγγκ για τοίχους πάχους 30 mm – 50 mm
 - **B:** Θέση του Ο-ριγγκ για τοίχους πάχους 20,5 mm – 30 mm
- ▶ Λιπάνετε το Ο-ριγγκ. Με αυτόν το τρόπο το στόμιο πλήρωσης μπορεί να συνδεθεί εύκολα με το πάνω μέρος του δοχείου.

6 Ηλεκτρική σύνδεση



ΠΡΟΕΙΔΟΠΟΙΗΣΗ!

Η ηλεκτρική σύνδεση πρέπει να γίνεται από ηλεκτρολόγο.



ΠΡΟΣΟΧΗ!

- Μην συνδέετε την τουαλέτα κατευθείαν παράλληλα με άλλες καταναλώσεις στην ηλεκτρική τροφοδοσία.
- Μην συνδέετε τη μονάδα ελέγχου της τουαλέτας σε αντλία νερού πίεσης.
- Η ονομαστική ισχύς μιας εξωτερικής αντλίας νερού δεν επιτρέπεται να ξεπεράσει τα 100 W.



ΥΠΟΔΕΙΞΗ

- Η εξωτερική αντλία νερού δεν περιλαμβάνεται στη συσκευασία.
- Μια αρχική ασφάλεια δεν χρειάζεται επειδή η τουαλέτα διαθέτει εσωτερική ασφάλεια.

Υπόμνημα για σχ. **25**, σελίδα 19:

Θέση	Ονομασία
1	Saneo
2	Αντλία νερού
3	Διακόπτης
4	Κουτί ασφαλειών/κύριων συνδέσεων
5	Τροφοδοσία 12 V




Η αντιστοίχιση του πίνακα χειρισμού διακοπών αφής (σχ. 26 A, σελίδα 20) και του πίνακα χειρισμού πλήκτρων (σχ. 26 B, σελίδα 20) έχει ως εξής:

Θέση	Ονομασία
1	5-πολική υποδοχή για αισθητήρες Reed δοχείου κασετίνας και μικροδιακόπτη κασετίνας
2	Μόνο για Saneo BW, CW: Δείκτης στάθμης του δοχείου νερού με πλωτήρα
3	Βραχυκυκλωτήρας (μόνο σε πίνακα χειρισμού διακοπών αφής)
4	Μόνο για Saneo B, C, BS, CS, BLP, CLP: Σύνδεση βαλβίδας Μόνο για Saneo BW, CW: Σύνδεση εσωτερικής αντλίας
5	Τροφοδοσία 12 V
6	Ασφάλεια (10 A)

- Συνδέστε την τουαλέτα σε ξεχωριστή ηλεκτρική τροφοδοσία μέσω του κύριου μπλοκ συνδέσεων του οχήματος (σχ. 25, σελίδα 19 και σχ. 26 5, σελίδα 20). Για τον σκοπό αυτό χρησιμοποιήστε κατάλληλο καλώδιο (σχ. 27, σελίδα 20):

Θέση/χρώμα καλωδίου	Ονομασία
A	Saneo B, BS, BLP, C, CS, CLP (να μην χρησιμοποιείται κατά τη χρήση αντλίας νερού πίεσης)
B	Saneo BW, CW
C	Saneo B, BS, BLP, C, CS, CLP με αντλία νερού πίεσης (Αυστραλία)
D	Saneo BW, CW (UK)
ws	Λευκό καλώδιο, γείωση (-)
rt	Κόκκινο καλώδιο, είσοδος (+)
bl	Μπλε καλώδιο, έξοδος (+) Καλώδιο σημάτων ελέγχου για εξωτερική αντλία (να μην χρησιμοποιείται κατά τη χρήση αντλίας νερού πίεσης)

7 Τεχνικά χαρακτηριστικά

	Dometic Saneo
Ηλεκτρική τροφοδοσία:	12 V==
Κατανάλωση ρεύματος:	μέχρι 2 A με εσωτερική αντλία μέχρι 10 A με εξωτερική αντλία
Μέγιστο βάρος ατόμων:	150 kg
Διαστάσεις:	Βλ. σχ. 4 , σελίδα 5 έως σχ. 9 , σελίδα 10
Θερμοκρασία λειτουργίας:	0 °C έως +50 °C
Χωρητικότητα:	16 l (δοχείο κασετίνας) 7 l (δοχείο καθαρού νερού, προαιρετικά)
Σήμα ελέγχου:	   ECE R 10



ΥΠΟΔΕΙΞΗ

Παροχή νερού (αντλία οχήματος):

Η τουαλέτα χρειάζεται αντλία οχήματος με παροχή τουλάχιστον 7 λίτρων/λεπτό στην έξοδο της σύνδεσης σωλήνα της τουαλέτας ώστε να διασφαλίζεται πλήυση με τουλάχιστον 5 λίτρα/λεπτό.

GERMANY**Dometic WAECO International GmbH**

Hollefeldstraße 63 · D-48282 Emsdetten
 ☎ +49 (0) 2572 879-0 · 📠 +49 (0) 2572 879-300
 Mail: info@dometic-waeco.de

AUSTRALIA**Dometic Australia Pty. Ltd.**

1 John Duncan Court
 Varsity Lakes QLD 4227
 ☎ 1800 212121
 ☎ +61 7 55076001
 Mail: sales@dometic.com.au

AUSTRIA**Dometic Austria GmbH**

Neudorferstraße 108
 A-2353 Guntramsdorf
 ☎ +43 2236 908070
 📠 +43 2236 90807060
 Mail: info@dometic.at

BENELUX**Dometic Branch Office Belgium**

Lourdesstraat 84
 B-8940 Geluwe
 ☎ +32 2 3598040
 📠 +32 2 3598050
 Mail: info@dometic.be

BRAZIL**Dometic DO Brasil LTDA**

Avenida Paulista 1754, conj. 111
 SP 01310-920 Sao Paulo
 ☎ +55 11 3251 3352
 📠 +55 11 3251 3362
 Mail: info@dometic.com.br

DENMARK**Dometic Denmark A/S**

Nordensvej 15, Taulov
 DK-7000 Fredericia
 ☎ +45 75585966
 📠 +45 75586307
 Mail: info@dometic.dk

FINLAND**Dometic Finland OY**

Mestariitie 4
 FIN-01730 Vantaa
 ☎ +358 20 7413220
 📠 +358 9 7593700
 Mail: info@dometic.fi

FRANCE**Dometic SAS**

ZA du Pré de la Dame Jeanne
 B.P. 5
 F-60128 Plailly
 ☎ +33 3 44633525
 📠 +33 3 44633518
 Mail: vehiculesdeloisirs@dometic.fr

HONG KONG**Dometic Group Asia Pacific**

Suites 2207-11 / 22/F - Tower 1
 The Gateway - 25 Canton Road,
 Tsim Sha Tsui - Kowloon
 ☎ +852 2 4611386
 📠 +852 2 4665553
 Mail: info@waeco.com.hk

HUNGARY**Dometic Zrt. Sales Office**

Kerekgyártó u. 5.
 H-1147 Budapest
 ☎ +36 1 468 4400
 📠 +36 1 468 4401
 Mail: budapest@dometic.hu

ITALY**Dometic Italy S.r.l.**

Via Virgilio, 3
 I-47122 Forlì (FC)
 ☎ +39 0543 754901
 📠 +39 0543 754983
 Mail: vendite@dometic.it

JAPAN**Dometic KK**

Maekawa-Shibaura, Bldg. 2
 2-13-9 Shibaura Minato-ku
 Tokyo 108-0023
 ☎ +81 3 5445 3333
 📠 +81 3 5445 3339
 Mail: info@dometic.jp

MEXICO**Dometic Mx, S. de R. L. de C. V.**

Circuito Médicos No. 6 Local 1
 Colonia Ciudad Satélite
 CP 53100 Naucalpan de Juárez
 Estado de México
 ☎ +52 55 5374 4108
 📠 +52 55 5393 4683
 Mail: info@dometic.com.mx

NETHERLANDS**Dometic Benelux B.V.**

Ecustraat 3
 NL-4879 NP Etten-Leur
 ☎ +31 76 5029000
 📠 +31 76 5029019
 Mail: info@dometic.nl

NEW ZEALAND**Dometic New Zealand Ltd.**

PO Box 12011
 Penrose
 Auckland 1642
 ☎ +64 9 622 1490
 📠 +64 9 622 1573
 Mail: customerservices@dometic.co.nz

NORWAY**Dometic Norway AS**

Østerøyveien 46
 N-3232 Sandefjord
 ☎ +47 33428450
 📠 +47 33428459
 Mail: firmapost@dometic.no

POLAND**Dometic Poland Sp. z o.o.**

Ul. Puławska 435A
 PL-02-801 Warszawa
 ☎ +48 22 414 3200
 📠 +48 22 414 3201
 Mail: info@dometic.pl

PORTUGAL**Dometic Spain, S.L.**

Branch Office em Portugal
 Rot. de São Gonçalo nº 1 – Esc. 12
 2775-399 Carcavelos
 ☎ +351 219 244 173
 📠 +351 219 243 206
 Mail: info@dometic.pt

RUSSIA**Dometic RUS LLC**

Komsomolskaya square 6-1
 RU-107140 Moscow
 ☎ +7 495 780 79 39
 📠 +7 495 916 56 53
 Mail: info@dometic.ru

SINGAPORE**Dometic Pte Ltd**

18 Boon Lay Way
 06-141 Trade Hub 21
 Singapore 609966
 ☎ +65 6795 3177
 📠 +65 6862 6620
 Mail: dometic@dometic.com.sg

SLOVAKIA**Dometic Slovakia s.r.o.**

Sales Office Bratislava
 Nádražná 34/A
 900 28 Ivánka pri Dunaji
 ☎/📠 +421 2 45 529 680
 Mail: bratislava@dometic.com

SOUTH AFRICA**Dometic (Pty) Ltd.**

Regional Office
 South Africa & Sub-Saharan Africa
 2 Avalon Road
 West Lake View Ext 11
 Modderfontein 1645
 Johannesburg
 ☎ +27 87 3530380
 Mail: info@dometic.co.za

SPAIN**Dometic Spain S.L.**

Avda. Sierra del Guadarrama, 16
 E-28691 Villanueva de la Cañada
 Madrid
 ☎ +34 91 833 60 89
 📠 +34 900 100 245
 Mail: info@dometic.es

SWEDEN**Dometic Scandinavia AB**

Gustaf Melins gata 7
 SE-42131 Västra Frölunda
 ☎ +46 31 7341100
 📠 +46 31 7341101
 Mail: info@dometicgroup.se

SWITZERLAND**Dometic Switzerland AG**

Riedackerstrasse 7a
 CH-8153 Rümlang
 ☎ +41 44 8187171
 📠 +41 44 8187191
 Mail: info@dometic.ch

UNITED ARAB EMIRATES**Dometic Middle East FZCO**

P. O. Box 17860
 S-D 6, Jebel Ali Freezone
 Dubai
 ☎ +971 4 883 3858
 📠 +971 4 883 3868
 Mail: info@dometic.ae

UNITED KINGDOM**Dometic UK Ltd.**

Dometic House, The Brewery
 Blandford St. Mary
 Dorset DT11 9LS
 ☎ +44 344 626 0133
 📠 +44 344 626 0143
 Mail: customerservices@dometic.co.uk

USA**Dometic RV Division**

1120 North Main Street
 Elkhart, IN 46515
 ☎ +1 574-264-2131